

THIS DRAWING IS UNPUBLISHED. RELEASED FOR PUBLICATION
 © COPYRIGHT - By - ALL RIGHTS RESERVED.

LOC	DIST	REVISIONS					
		P	LTR	DESCRIPTION	DATE	DWN	APVD
AF	50	E2		REVISED PER ECR-18-006427	15MAY2018	BW	SV

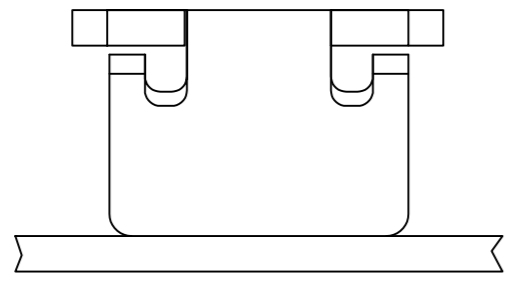
- 1 CONTINUOUS STRIP ON REELS (NO SPLICES) WITH TERMINALS LOCATED ON 5.59±0.08 [.220±.003] CENTERS.
- 2 SLOT ACCEPTS 0.45-0.64mm [#25-#22] AWG COPPER MAGNET WIRE. SINGLE OR DOUBLE WIRE OF THE SAME SIZE AND TYPE. EXCEPT 0.64mm [#22] AWG WHICH IS FOR ONE WIRE ONLY.
0.57-0.72mm[#23-#21] AWG ALUMINIUM SINGLE MAGNET WIRE ONLY.
ALUMINIUM WIRE RANGE IS APPLICABLE FOR POST TIN PLATED PART NOS ONLY.

3 GAGING: GO, 0.28 [.011] NO/GO, 0.38 [.015]. FREE STATE AND GAP AT CARRIER SIDE TO BE MAINTAINED PER CHART PROVIDED.

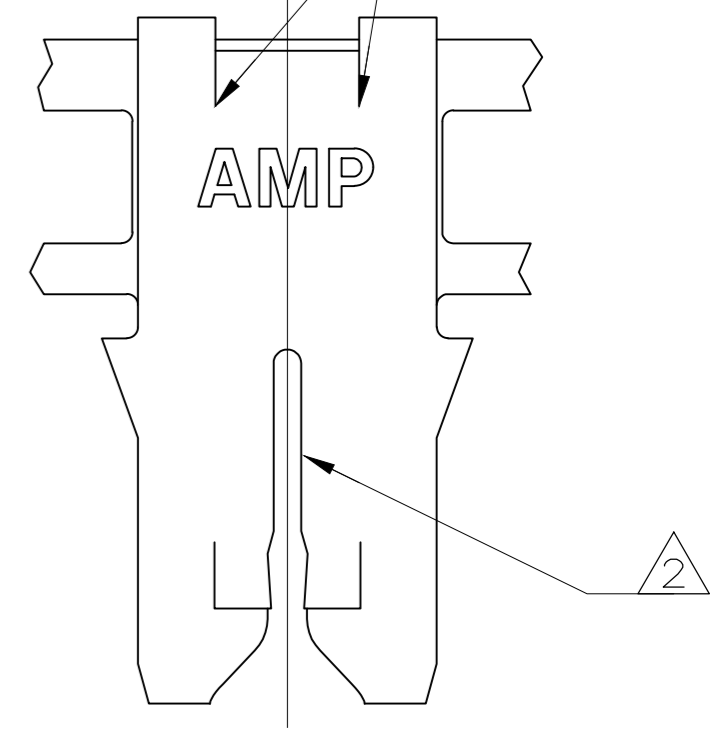
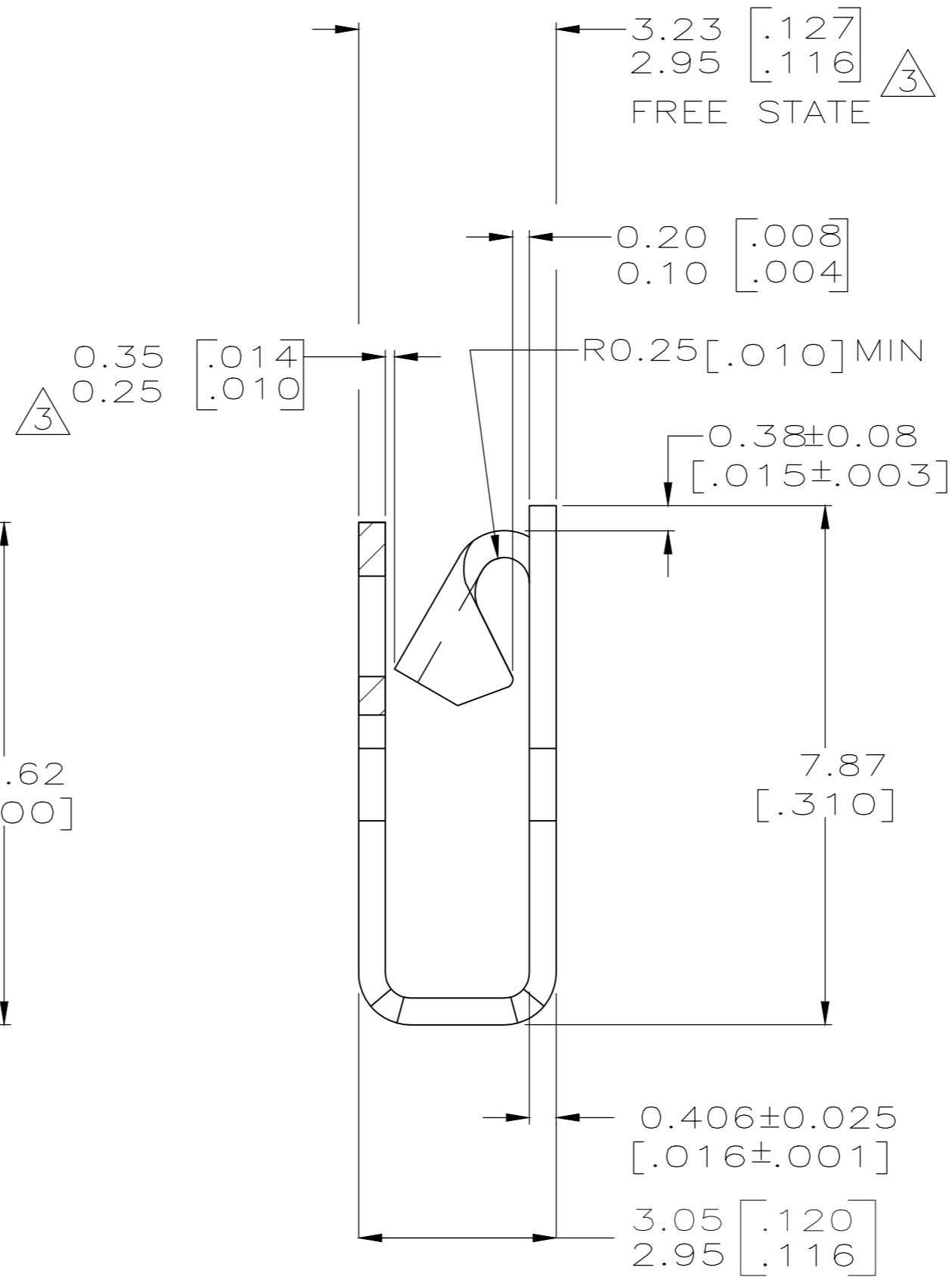
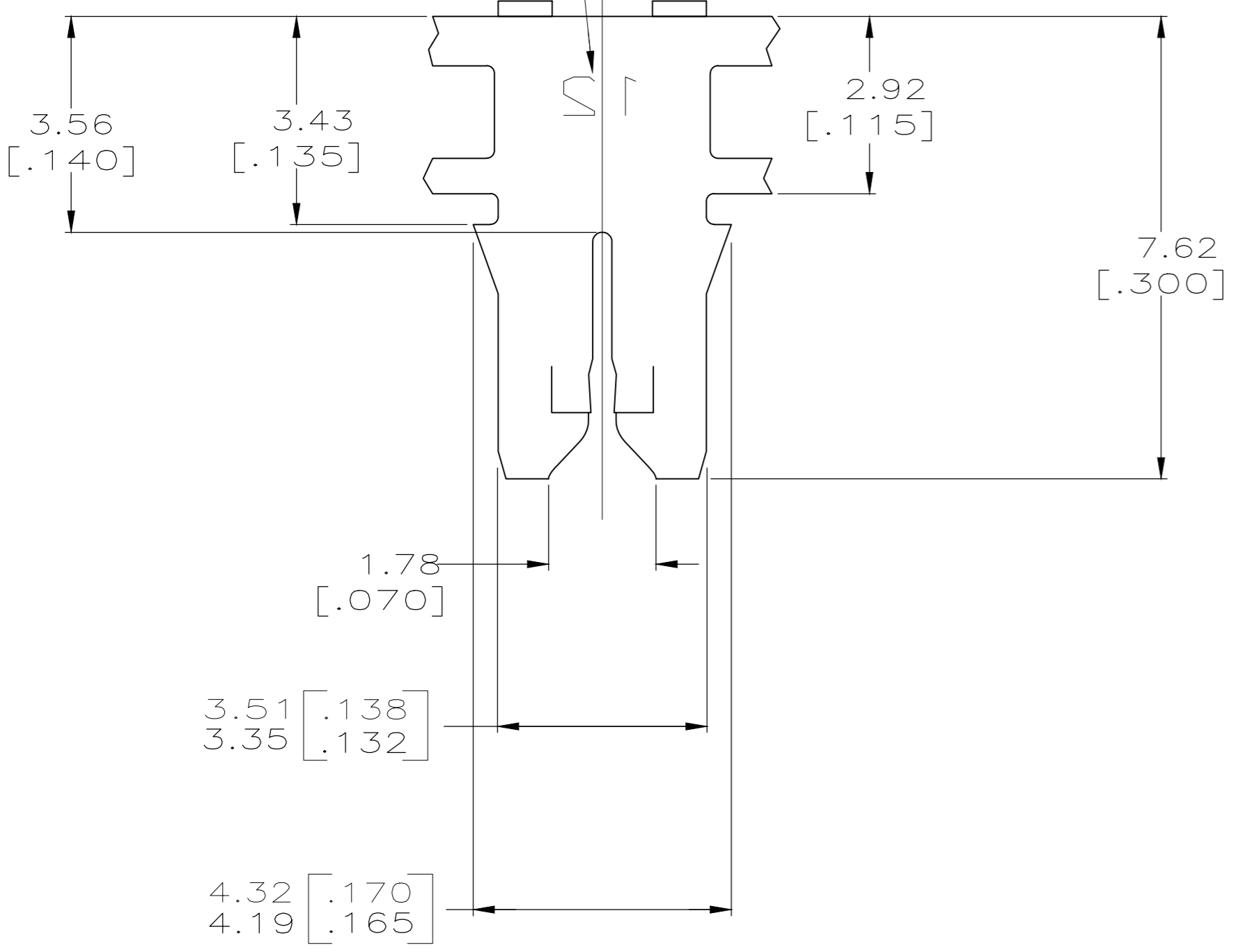
FREE STATE	CARRIER GAP
2.95-3.12 [.116-.123]	0.25-0.35 [.010-.014]
3.15 [.124]	0.28-0.35 [.011-.014]
3.18 [.125]	0.30-0.35 [.012-.014]
3.20 [.126]	0.33-0.35 [.013-.014]
3.23 [.127]	0.35 [.014]

CARRIER SIDE GAP 0.25-0.35 [.010-.014] TO BE CHECKED WHEN FREE STATE IS COMPRESSED TO 3.12 [.123].

- 4 NO CRACKS OR TEARS PERMISSIBLE ALONG SHEAR AND BEND LINE
- 5 SPECIAL BLACK COLORED CARDBOARD REELS
- 6 PRELIMINARY - NOT FOR PRODUCTION
- 7 REELED ON A PLASTIC REEL



IDENTIFICATION NUMBER 12 FOR MAGNET WIRE RANGE



7 STANDARD	1217082-3	E
5 STANDARD	1217082-2	C
STANDARD	1217082-1	E
REELING	PART NUMBER	REV.

THIS DRAWING IS A CONTROLLED DOCUMENT.		DWN MICHAEL S. FEHER 09APR98	TE Connectivity	
DIMENSIONS: mm		CHK JEFF R. RUTH 09APR98		
TOLERANCES UNLESS OTHERWISE SPECIFIED:		APVD KURT A. RANDOLPH 09APR98	NAME TERMINAL, POKE-IN, 300 SERIES MAG-MATE	
0 PLC ± -	1 PLC ± -	PRODUCT SPEC 108-2012	SIZE A2	CAGE CODE 00779
2 PLC ± 0.25[.010]	3 PLC ± -	APPLICATION SPEC 114-2046	DRAWING NO 1217082	RESTRICTED TO -
4 PLC ± -	ANGLES ± -	FINISH 0.002032 [.000080] MIN. TIN	WEIGHT -	SCALE 10:1
MATERIAL PHOS. BRONZE		FINISH	CUSTOMER DRAWING	SHEET 1 OF 1
				REV E2

Looking for pricing, stock, or lifecycle information?

Click below to explore more details on WIN SOURCE:

 [View 1217082-1](#) on WIN SOURCE

 [TE Connectivity](#) Information

Optimize Your Supply Chain with WIN SOURCE Solutions

-  Global Sourcing Solution
-  Obsolete Management
-  Cost Control Management
-  Shortage Management
-  Alternative Solution
-  Excess Inventory Management