



THE DATASHEET OF
1217061-1



1217061-1 ✓ ACTIVE

FASTON | FASTON 187

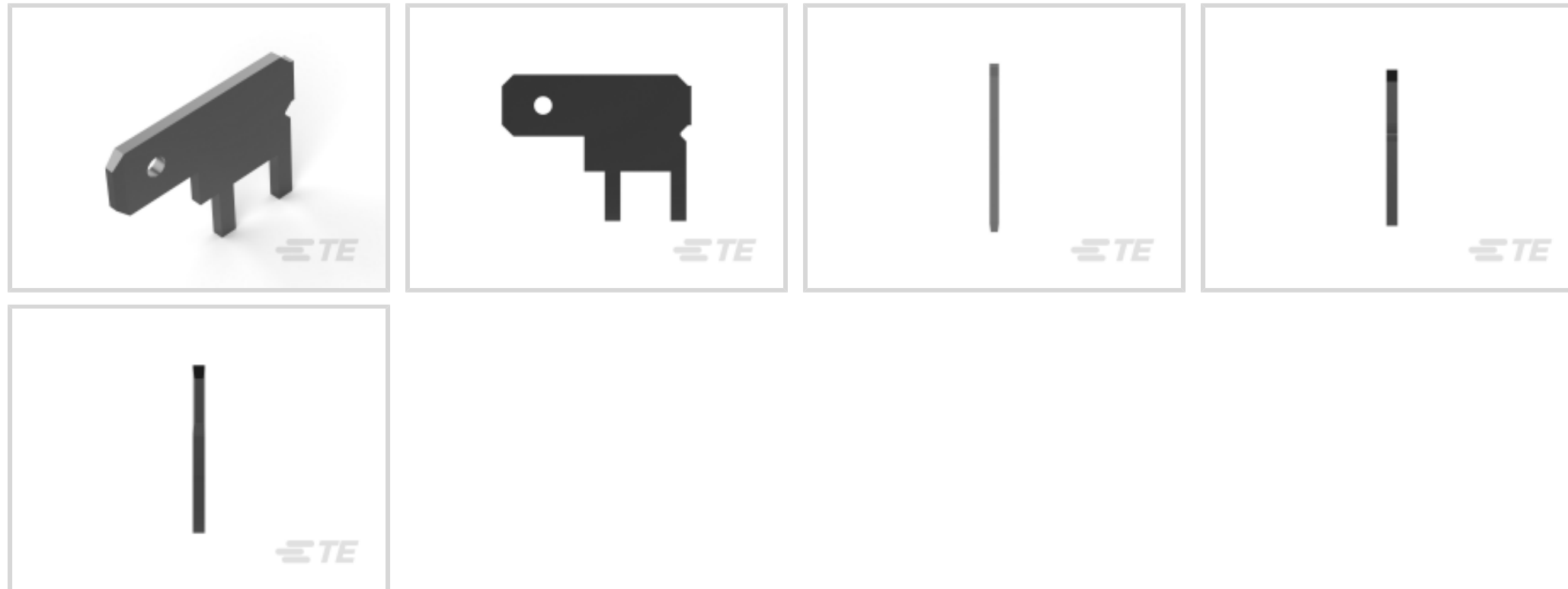
TE Internal #: 1217061-1

Tab, Mating Tab Width 4.75 mm [.187 in], PCB Hole Diameter 1.4 mm [.055 in], Through Hole - Solder, Tin Plating, Nickel, FASTON 187, PCB Terminals

[View on TE.com >](#)



Terminals & Splices > PCB Terminals



PCB Terminal Type: **Tab**

PCB Thickness (Recommended): 1.57 mm [.062 in]

Mating Tab Width: 4.75 mm [.187 in]

Mating Tab Thickness: .8 mm [.031 in]

PCB Hole Diameter: 1.4 mm [.055 in]

Features

Configuration Features

| | |
|---------------------|--------|
| Connection Capacity | Single |
|---------------------|--------|

Contact Features

| | |
|---|----------------------------|
| PCB Contact Termination Area Plating Material Thickness | 3.81 μ m[150 μ in] |
| Contact Underplating Material Thickness | 1.27 μ m[50 μ in] |
| Contact Mating Area Plating Material Thickness | 3.81 μ m[150 μ in] |
| PCB Terminal Type | Tab |
| Mating Tab Width | 4.75 mm[.187 in] |
| Mating Tab Thickness | .8 mm[.031 in] |
| Terminal Plating Material | Tin |
| Contact Underplating Material | Nickel |
| Terminal Size | 4.75 |
| Terminal Orientation | Right Angle |

Termination Features

| | |
|---------------------------|-----------------------|
| Termination Method to PCB | Through Hole - Solder |
|---------------------------|-----------------------|



Product Terminates To

Printed Circuit Board

Mechanical Attachment

Wire Insulation Support

Without

Dimensions

Extension Below Board

3.81 mm[.15 in]

Terminal Material Thickness

.8 mm[.031 in]

PCB Thickness (Recommended)

1.57 mm[.062 in]

PCB Hole Diameter

1.4 mm[.055 in]

Profile Height from PCB

7.47 mm[.298 in]

Usage Conditions

Insulation Option

Uninsulated

Operating Temperature Range

-30 – 110 °C[-22 – 230 °F]

Industry Standards

Compatible With Agency/Standards Products

CSA, UL

Packaging Features

Packaging Quantity

10000

Packaging Method

Reel

Product Compliance

For compliance documentation, visit the product page on [TE.com](https://www.te.com)>

EU RoHS Directive 2011/65/EU

Compliant

EU ELV Directive 2000/53/EC

Compliant

China RoHS 2 Directive MIIT Order No 32, 2016

No Restricted Materials Above Threshold

EU REACH Regulation (EC) No. 1907/2006

Current ECHA Candidate List: JUNE 2024 (241)
Candidate List Declared Against: JUNE 2024 (241)
Does not contain REACH SVHC

Halogen Content

Low Halogen - Br, Cl, F, I < 900 ppm per homogenous material. Also BFR/CFR/PVC Free

Solder Process Capability

Wave solder capable to 265°C

Product Compliance Disclaimer

This information is provided based on reasonable inquiry of our suppliers and represents our current actual knowledge based on the information they provided. This information is subject to change. The part numbers that TE has identified as EU RoHS compliant have a maximum concentration of 0.1% by weight in homogenous materials for lead, hexavalent chromium, mercury, PBB, PBDE, DBP, BBP, DEHP, DIBP, and 0.01% for cadmium, or qualify for an exemption to these limits as defined in the Annexes of Directive 2011/65/EU (RoHS2). Finished electrical and electronic equipment products will be CE marked as required by Directive 2011/65/EU. Components may not be CE marked. Additionally, the part numbers that TE has identified as EU ELV compliant have a maximum concentration of 0.1% by weight in homogenous materials for lead, hexavalent chromium, and mercury, and 0.01% for cadmium, or qualify for an exemption to these limits as defined in the Annexes of Directive 2000/53/EC (ELV). Regarding the REACH Regulation, the information TE provides on SVHC in articles for this part number is based on the latest European Chemicals Agency (ECHA) 'Guidance on requirements for substances in articles' posted at this URL: <https://echa.europa.eu/guidance-documents/guidance-on-reach>

Compatible Parts



TE Part # 1217332-1
187 FASTON,PCB TAB,TCBR



TE Part # 63860-1
187 FASTON TAB TPBR



TE Part # 63951-1
250 FASTON TAB TPBR



TE Part # 62221-1
187 FASTON TAB TPBR



TE Part # 63949-1
250 FASTON TAB TPBR



TE Part # 63950-1
250 FASTON TAB TPBR



TE Part # 63951-4
250 FASTON TAB TPBR



TE Part # 1217062-1
187 FASTON,FLAG,PCB TAB,TNBR



TE Part # 63952-1
250 FASTON TAB TPBR



TE Part # 63860-2
187 FASTON TAB TPBR



TE Part # 63951-8
250 FASTON TAB TPBR



TE Part # 1217089-1
110 FASTON,PCB TAB,TNBR



TE Part # 1217124-3
187 FASTON,PCB TAB,TNBR



TE Part # 63950-6
FASTON 250 PCB TAB BR

Also in the Series | FASTON 187



Crimp Terminal Housings(41)



Insertion & Extraction Tools(1)



Joints & Splices(1)



PCB Terminals(42)

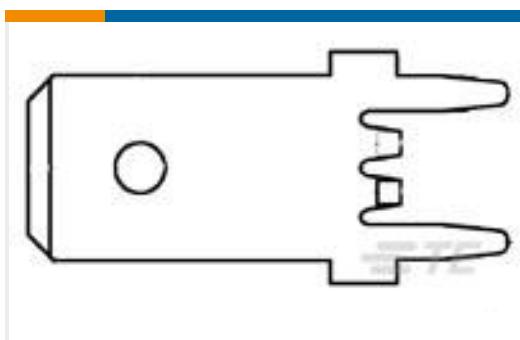


Quick Disconnects(208)

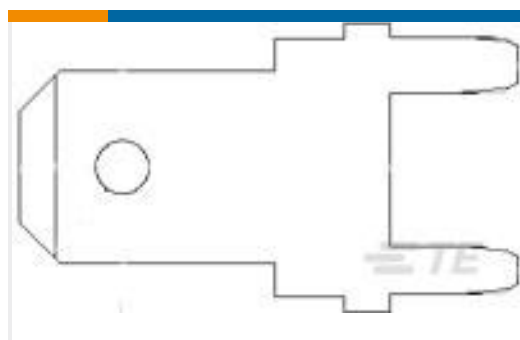


Splices(1)

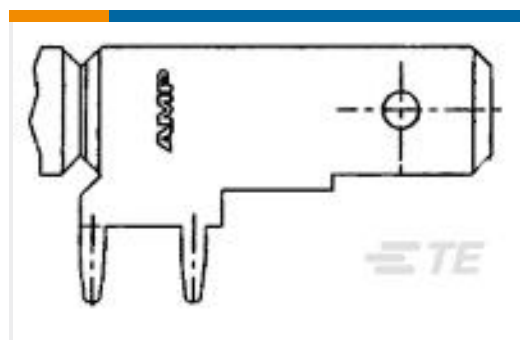
Customers Also Bought



TE Part #1217169-1
250 FASTON,PCB TAB,TCBR



TE Part #1217057-1
187 FASTON,PCB TAB,TPBR



TE Part #63951-1
250 FASTON TAB TPBR



TE Part #1-1744418-4
14 POS EP 2.5 HDR, GLOW WIRE



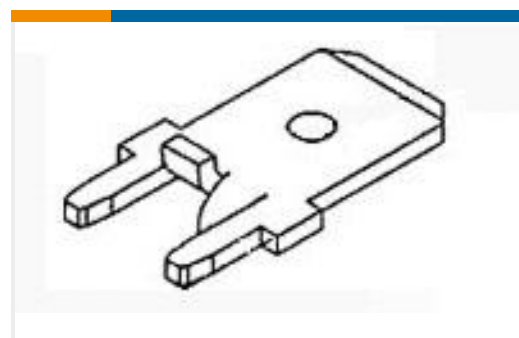
TE Part #60529-2
187 FASTON REC 20-16 AWG TPBR



TE Part #2081956-1
RF SWITCH



TE Part #0081930001
ES-CAP-NO.1-C1-X-30MM



TE Part #1217421-1
250 FASTON,PCB TAB,TNBR



TE Part #194781-E
M12 FEMALE, A CODE, 5P, 17MM SMT



TE Part #5-440052-1
2.5MM,HDR,2POS,VERTICAL, CONNECTOR



Documents

Product Drawings

[187 FASTON,FLAG,TAB,TNBR](#)

English

CAD Files

[3D PDF](#)

3D

Customer View Model

[ENG_CVM_CVM_1217061-1_G.2d_dxf.zip](#)

English

Customer View Model

[ENG_CVM_CVM_1217061-1_G.3d_igs.zip](#)

English

Customer View Model

[ENG_CVM_CVM_1217061-1_G.3d_stp.zip](#)

English

By downloading the CAD file I accept and agree to the [Terms and Conditions](#) of use.

Datasheets & Catalog Pages

[FASTON PCB Tabs and Receptacles](#)

English

[PRINTED CIRCUIT BOARD TERMINALS AND DISCONNECTS](#)

English

Product Specifications

[Application Specification](#)

English

Agency Approvals

[CSA Certificate](#)

English

[CSA Certificate](#)

English

Looking for pricing, stock, or lifecycle information?

Click below to explore more details on WIN SOURCE:

[View 1217061-1 on WIN SOURCE](#)

[TE Connectivity Information](#)

Optimize Your Supply Chain with WIN SOURCE Solutions

- ✓ Global Sourcing Solution
- ✓ Obsolete Management
- ✓ Cost Control Management
- ✓ Shortage Management
- ✓ Alternative Solution
- ✓ Excess Inventory Management