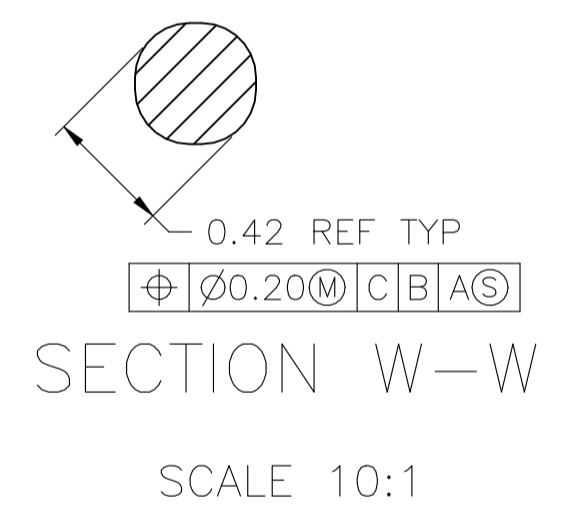
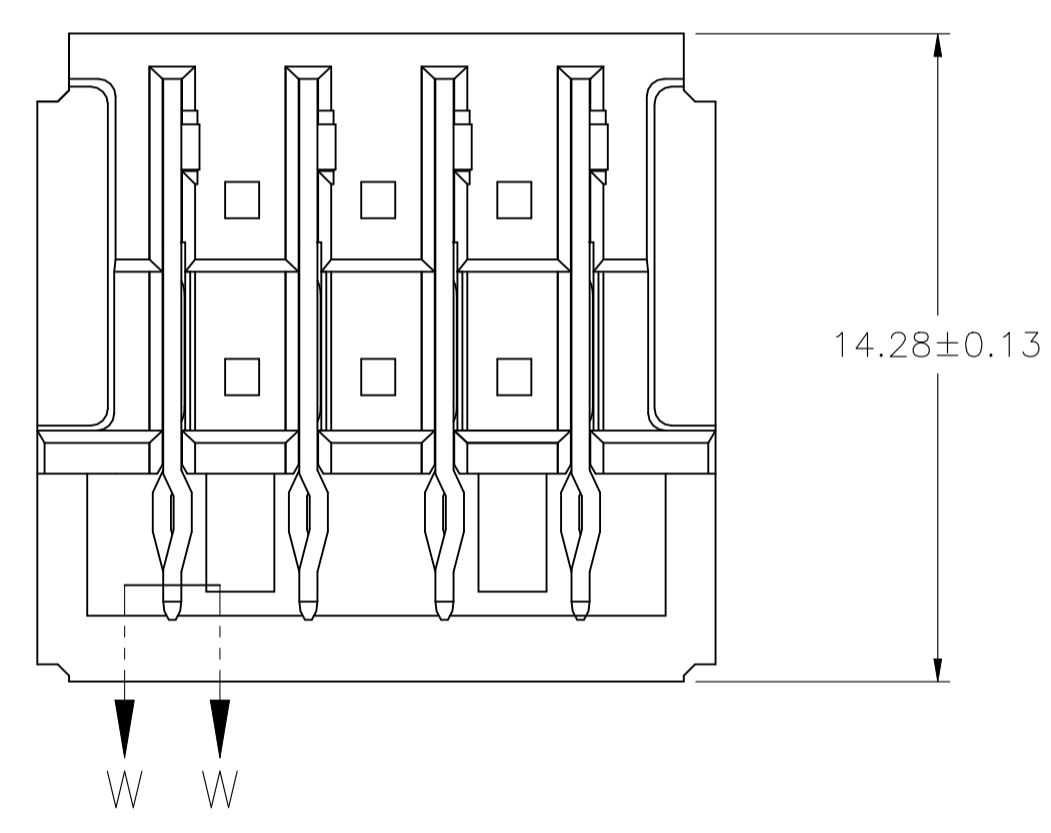
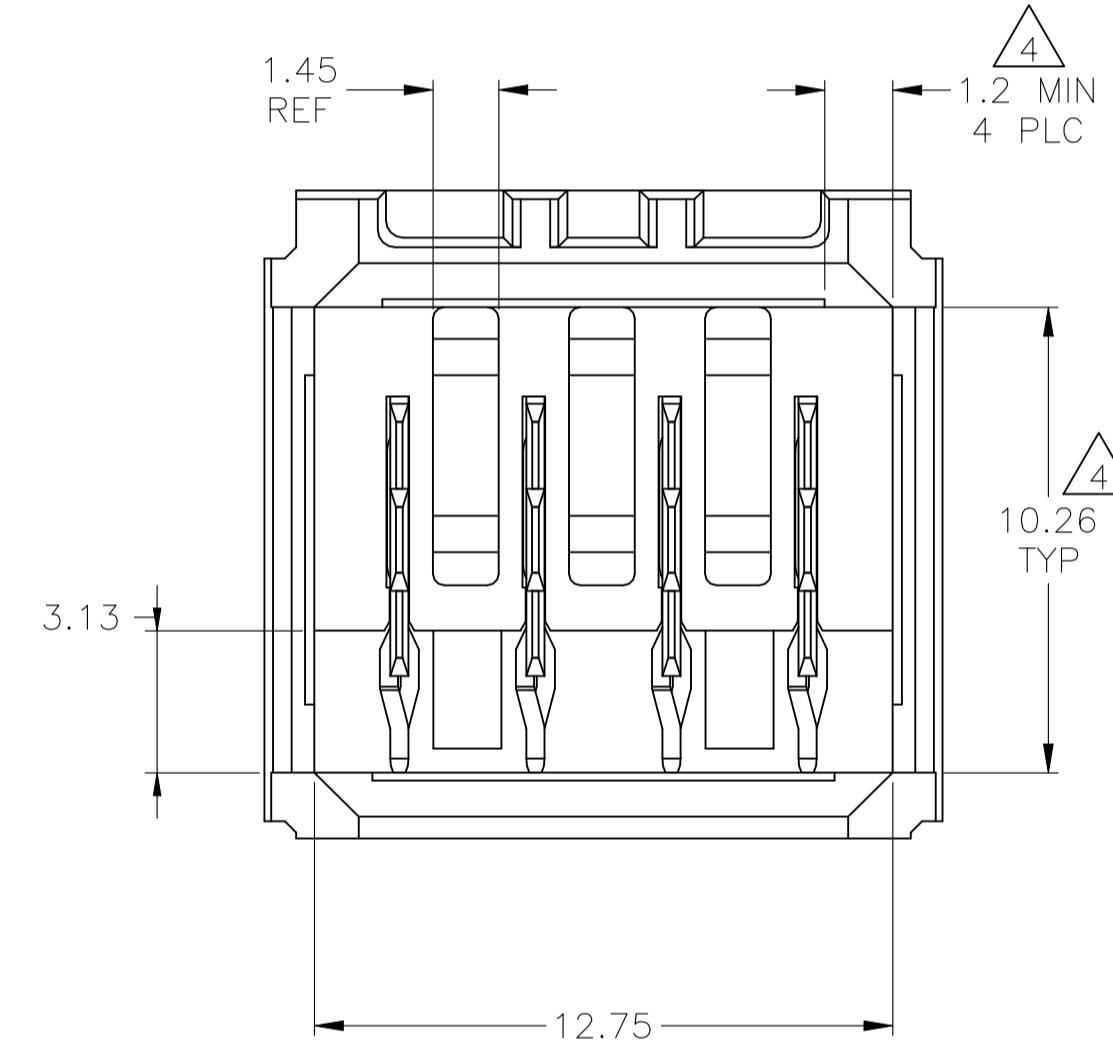
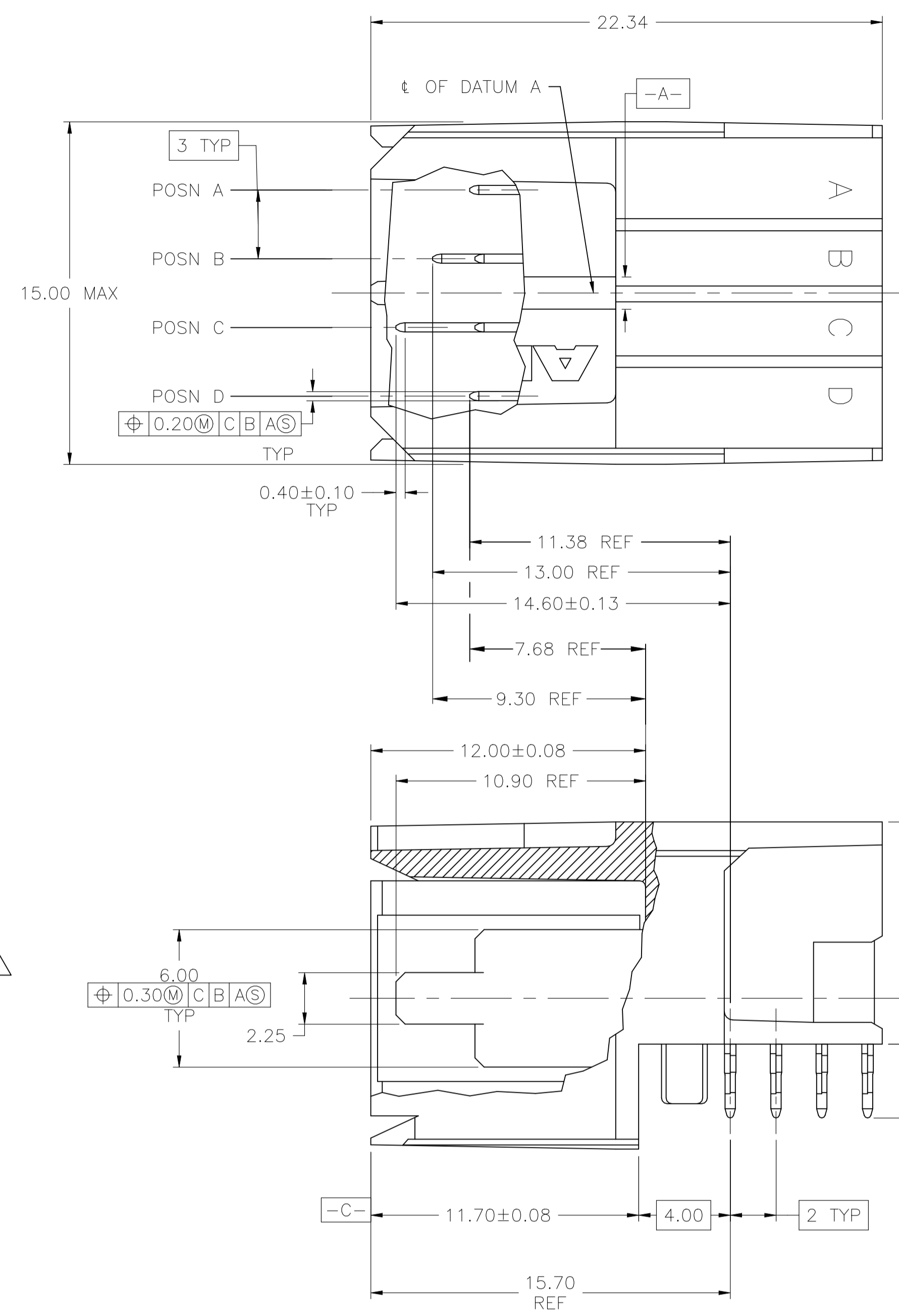




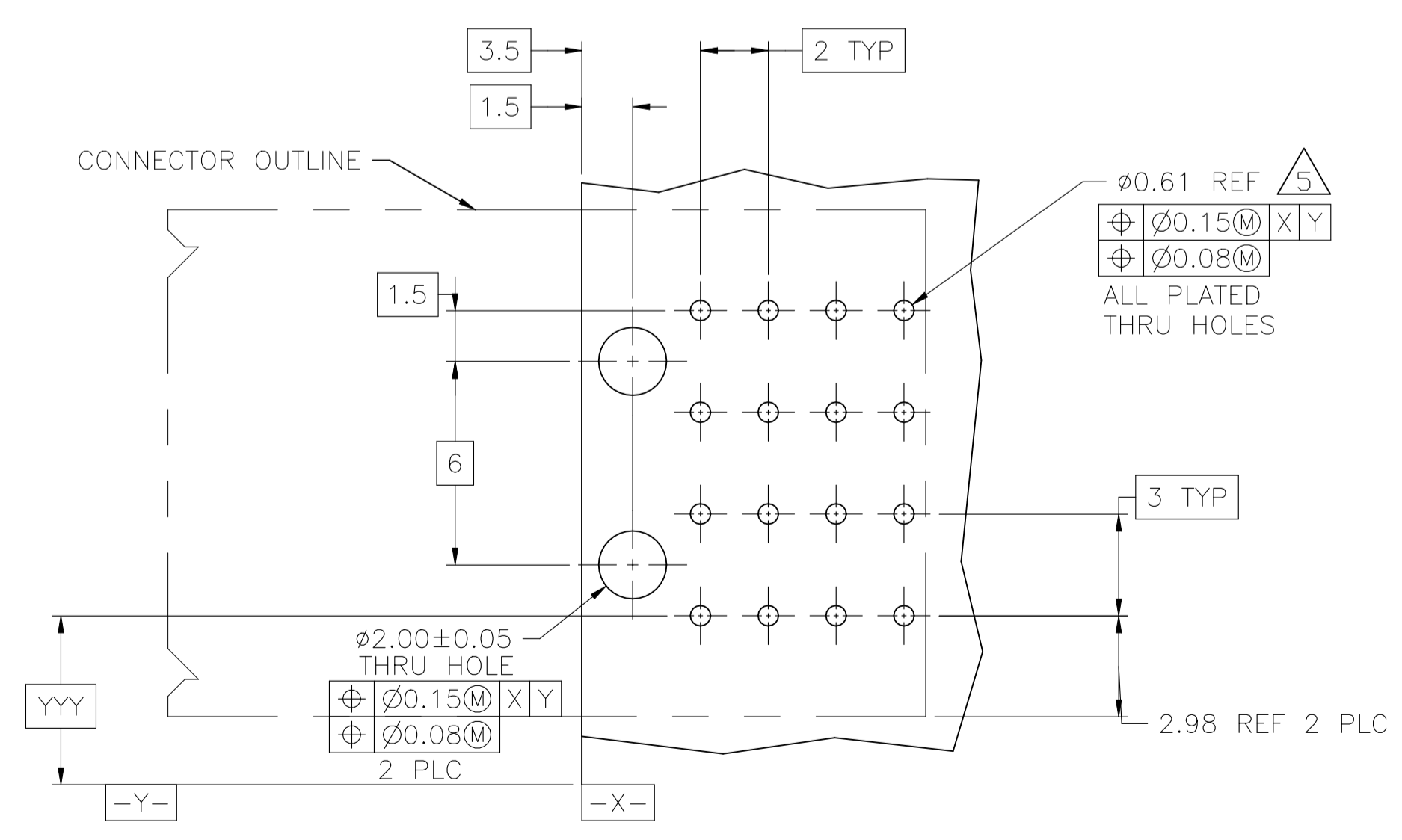
THE DATASHEET OF
120954-2



REVISIONS				
REV	DESCRIPTION	DATE	BY	APP'D
F2	ADDED NEW DASH NUMBER -7	08DEC2022	DP	SH



- 1 MATERIAL: HOUSING: POLYESTER, GRAY. UL 94V-0.
CONTACT: HIGH CURRENT COPPER ALLOY.
- 2 FINISH: IN ACCORDANCE WITH PRODUCT SPECIFICATION 108-1651.
GOLD PLATING OR EQUIVALENT PLATING ON PRODUCT CONTACT MATING AREA,
AND MATTE TIN PLATING ON COMPLIANT PIN AREA, ALL OVER MATTE NICKEL
UNDERPLATED. DETAIL PLEASE REFER TO PRODUCT SPECIFICATION 108-1651.
- 3 FINISH: CONTACT LUBRICATION WITH BELLCORE APPROVED
LUBRICANT. TECHNICAL REFERENCE: TR-NWT-001217
ISSUE 1, SEPT 1992.
- 4 THE 10.26±0.13 DIMENSION APPLIES IN THIS AREA.
- 5 REFERENCE APPLICATION SPEC 114-1103 FOR RECOMMENDED
PLATED THRU HOLE DIAMETER AND PLATING THICKNESSES.
- 6. CURRENT RATING 16A/CONTACT PER PRODUCT SPEC 108-1651.
- 7 MATERIAL: HOUSING: POLYESTER, BLACK. UL 94V-0.
CONTACT: HIGH CURRENT COPPER ALLOY.



POSITIONS LOADED WITH 10.90 REF CONTACTS	POSITIONS LOADED WITH 9.30 REF CONTACTS	POSITIONS LOADED WITH 7.68 REF CONTACTS	NO OF LOADED POSITIONS	PART NUMBER
-	A,D	B,C	4	120954-7
-	C,D	A,B	4	120954-6
A,B	C,D	-	4	120954-5
A,D	-	B,C	4	120954-4
-	A,D	B,C	4	120954-3
A	B	C,D	4	120954-2
A,B,C,D	-	-	4	120954-1


RECOMMENDED PCB HOLE LAYOUT

THIS DRAWING IS A CONTROLLED DOCUMENT.

DIMENSIONS:	TOLERANCES UNLESS OTHERWISE SPECIFIED:	DIN R CARBO 08OCT04	08OCT04
mm	0.150 ± 0.05	08OCT04	08OCT04
	0.150 ± 0.10	08OCT04	08OCT04
	0.150 ± 0.15	08OCT04	08OCT04
	0.150 ± 0.20	08OCT04	08OCT04
	0.150 ± 0.25	08OCT04	08OCT04
	0.150 ± 0.30	08OCT04	08OCT04
	0.150 ± 0.40	08OCT04	08OCT04
	0.150 ± 0.50	08OCT04	08OCT04
	0.150 ± 0.60	08OCT04	08OCT04
	0.150 ± 0.70	08OCT04	08OCT04
	0.150 ± 0.80	08OCT04	08OCT04
	0.150 ± 0.90	08OCT04	08OCT04
	0.150 ± 1.00	08OCT04	08OCT04
	0.150 ± 1.20	08OCT04	08OCT04
	0.150 ± 1.50	08OCT04	08OCT04
	0.150 ± 2.00	08OCT04	08OCT04
	0.150 ± 2.50	08OCT04	08OCT04
	0.150 ± 3.00	08OCT04	08OCT04
	0.150 ± 4.00	08OCT04	08OCT04
	0.150 ± 5.00	08OCT04	08OCT04
	0.150 ± 6.00	08OCT04	08OCT04
	0.150 ± 8.00	08OCT04	08OCT04
	0.150 ± 10.00	08OCT04	08OCT04
	0.150 ± 12.00	08OCT04	08OCT04
	0.150 ± 15.00	08OCT04	08OCT04
	0.150 ± 20.00	08OCT04	08OCT04
	0.150 ± 25.00	08OCT04	08OCT04
	0.150 ± 30.00	08OCT04	08OCT04
	0.150 ± 40.00	08OCT04	08OCT04
	0.150 ± 50.00	08OCT04	08OCT04
	0.150 ± 60.00	08OCT04	08OCT04
	0.150 ± 80.00	08OCT04	08OCT04
	0.150 ± 100.00	08OCT04	08OCT04
	0.150 ± 120.00	08OCT04	08OCT04
	0.150 ± 150.00	08OCT04	08OCT04
	0.150 ± 200.00	08OCT04	08OCT04
	0.150 ± 250.00	08OCT04	08OCT04
	0.150 ± 300.00	08OCT04	08OCT04
	0.150 ± 400.00	08OCT04	08OCT04
	0.150 ± 500.00	08OCT04	08OCT04
	0.150 ± 600.00	08OCT04	08OCT04
	0.150 ± 800.00	08OCT04	08OCT04
	0.150 ± 1000.00	08OCT04	08OCT04
	0.150 ± 1200.00	08OCT04	08OCT04
	0.150 ± 1500.00	08OCT04	08OCT04
	0.150 ± 2000.00	08OCT04	08OCT04
	0.150 ± 2500.00	08OCT04	08OCT04
	0.150 ± 3000.00	08OCT04	08OCT04
	0.150 ± 4000.00	08OCT04	08OCT04
	0.150 ± 5000.00	08OCT04	08OCT04
	0.150 ± 6000.00	08OCT04	08OCT04
	0.150 ± 8000.00	08OCT04	08OCT04
	0.150 ± 10000.00	08OCT04	08OCT04
	0.150 ± 12000.00	08OCT04	08OCT04
	0.150 ± 15000.00	08OCT04	08OCT04
	0.150 ± 20000.00	08OCT04	08OCT04
	0.150 ± 25000.00	08OCT04	08OCT04
	0.150 ± 30000.00	08OCT04	08OCT04
	0.150 ± 40000.00	08OCT04	08OCT04
	0.150 ± 50000.00	08OCT04	08OCT04
	0.150 ± 60000.00	08OCT04	08OCT04
	0.150 ± 80000.00	08OCT04	08OCT04
	0.150 ± 100000.00	08OCT04	08OCT04
	0.150 ± 120000.00	08OCT04	08OCT04
	0.150 ± 150000.00	08OCT04	08OCT04
	0.150 ± 200000.00	08OCT04	08OCT04
	0.150 ± 250000.00	08OCT04	08OCT04
	0.150 ± 300000.00	08OCT04	08OCT04
	0.150 ± 400000.00	08OCT04	08OCT04
	0.150 ± 500000.00	08OCT04	08OCT04
	0.150 ± 600000.00	08OCT04	08OCT04
	0.150 ± 800000.00	08OCT04	08OCT04
	0.150 ± 1000000.00	08OCT04	08OCT04
	0.150 ± 1200000.00	08OCT04	08OCT04
	0.150 ± 1500000.00	08OCT04	08OCT04
	0.150 ± 2000000.00	08OCT04	08OCT04
	0.150 ± 2500000.00	08OCT04	08OCT04
	0.150 ± 3000000.00	08OCT04	08OCT04
	0.150 ± 4000000.00	08OCT04	08OCT04
	0.150 ± 5000000.00	08OCT04	08OCT04
	0.150 ± 6000000.00	08OCT04	08OCT04
	0.150 ± 8000000.00	08OCT04	08OCT04
	0.150 ± 10000000.00	08OCT04	08OCT04
	0.150 ± 12000000.00	08OCT04	08OCT04
	0.150 ± 15000000.00	08OCT04	08OCT04
	0.150 ± 20000000.00	08OCT04	08OCT04
	0.150 ± 25000000.00	08OCT04	08OCT04
	0.150 ± 30000000.00	08OCT04	08OCT04
	0.150 ± 40000000.00	08OCT04	08OCT04
	0.150 ± 50000000.00	08OCT04	08OCT04
	0.150 ± 60000000.00	08OCT04	08OCT04
	0.150 ± 80000000.00	08OCT04	08OCT04
	0.150 ± 100000000.00	08OCT04	08OCT04
	0.150 ± 120000000.00	08OCT04	08OCT04
	0.150 ± 150000000.00	08OCT04	08OCT04
	0.150 ± 200000000.00	08OCT04	08OCT04
	0.150 ± 250000000.00	08OCT04	08OCT04
	0.150 ± 300000000.00	08OCT04	08OCT04
	0.150 ± 400000000.00	08OCT04	08OCT04
	0.150 ± 500000000.00	08OCT04	08OCT04
	0.150 ± 600000000.00	08OCT04	08OCT04
	0.150 ± 800000000.00	08OCT04	08OCT04
	0.150 ± 1000000000.00	08OCT04	08OCT04
	0.150 ± 1200000000.00	08OCT04	08OCT04
	0.150 ± 1500000000.00	08OCT04	08OCT04
	0.150 ± 2000000000.00	08OCT04	08OCT04
	0.150 ± 2500000000.00	08OCT04	08OCT04
	0.150 ± 3000000000.00	08OCT04	08OCT04
	0.150 ± 4000000000.00	08OCT04	08OCT04
	0.150 ± 5000000000.00	08OCT04	08OCT04
	0.150 ± 6000000000.00	08OCT04	08OCT04
	0.150 ± 8000000000.00	08OCT04	08OCT04
	0.150 ± 10000000000.00	08OCT04	08OCT04
	0.150 ± 12000000000.00	08OCT04	08OCT04
	0.150 ± 15000000000.00	08OCT04	08OCT04
	0.150 ± 20000000000.00	08OCT04	08OCT04
	0.150 ± 25000000000.00	08OCT04	08OCT04
	0.150 ± 30000000000.00	08OCT04	08OCT04
	0.150 ± 40000000000.00	08OCT04	08OCT04
	0.150 ± 50000000000.00	08OCT04	08OCT04
	0.150 ± 60000000000.00	08OCT04	08OCT04
	0.150 ± 80000000000.00	08OCT04	08OCT04
	0.150 ± 100000000000.00	08OCT04	08OCT04
	0.150 ± 120000000000.00	08OCT04	08OCT04
	0.150 ± 150000000000.00	08OCT04	08OCT04
	0.150 ± 200000000000.00	08OCT04	08OCT04
	0.150 ± 250000000000.00	08OCT04	08OCT04
	0.150 ± 300000000000.00	08OCT04	08OCT04
	0.150 ± 400000000000.00	08OCT04	08OCT04
	0.150 ± 500000000000.00	08OCT04	08OCT04
	0.150 ± 600000000000.00	08OCT04	08OCT04
	0.150 ± 800000000000.00	08OCT04	08OCT04
	0.150 ± 1000000000000.00	08OCT04	08OCT04
	0.150 ± 1200000000000.00	08OCT04	08OCT04
	0.150 ± 1500000000000.00	08OCT04	08OCT04
	0.150 ± 2000000000000.00	08OCT04	08OCT04
	0.150 ± 2500000000000.00	08OCT04	08OCT04
	0.150 ± 3000000000000.00	08OCT04	08OCT04
	0.150 ± 4000000000000.00	08OCT04	08OCT04
	0.150 ± 5000000000000.00	08OCT04	08OCT04
	0.150 ± 6000000000000.00	08OCT04	08OCT04
	0.150 ± 8000000000000.00	08OCT04	08OCT04
	0.150 ± 10000000000000.00	08OCT04	08OCT04
	0.150 ± 12000000000000.00	08OCT04	08OCT04
	0.150 ± 15000000000000.00	08OCT04	08OCT04
	0.150 ± 20000000000000.00	08OCT04	08OCT04
	0.150 ± 25000000000000.00	08OCT04	08OCT04
	0.150 ± 30000000000000.00	08OCT04	08OCT04
	0.150 ± 40000000000000.00	08OCT04	08OCT04
	0.150 ± 50000000000000.00	08OCT04	08OCT04
	0.150 ± 60000000000000.00	08OCT04	08OCT04
	0.150 ± 80000000000000.00	08OCT04	08OCT04
	0.150 ± 100000000000000.00	08OCT04	08OCT04
	0.150 ± 120000000000000.00	08OCT04	08OCT04
	0.150 ± 150000000000000.00	08OCT04	08OCT04
	0.150 ± 200000000000000.00	08OCT04	08OCT04
	0.150 ± 250000000000000.00	08OCT04	08OCT04
	0.150 ± 300000000000000.00	08OCT04	08OCT04
	0.150 ± 400000000000000.00	08OCT04	08OCT04
	0.150 ± 500000000000000.00	08OCT04	08OCT04
	0.150 ± 600000000000000.00	08OCT04	08OCT04
	0.150 ± 800000000000000.00	08OCT04	08OCT04
	0.150 ± 1000000000000000.00	08OCT04	08OCT04
	0.150 ± 1200000000000000.00	08OCT04	08OCT04
	0.150 ± 1500000000000000.00	08OCT04	08OCT04
	0.150 ± 2000000000000000.00	08OCT04	08OCT04
	0.150 ± 2500000000000000.00	08OCT04	08OCT04
	0.150 ± 3000000000000000.00	08OCT04	08OCT04
	0.150 ± 4000000000000000.00	08OCT04	08OCT04
	0.150 ± 50		

Looking for pricing, stock, or lifecycle information?

Click below to explore more details on WIN SOURCE:

 [View 120954-2 on WIN SOURCE](#)

 [TE Connectivity](#) Information

Optimize Your Supply Chain with WIN SOURCE Solutions

-  Global Sourcing Solution
-  Obsolete Management
-  Cost Control Management
-  Shortage Management
-  Alternative Solution
-  Excess Inventory Management