



**THE DATASHEET OF
T8112NLT**



Surface Mount 2-Wire Slic Common Mode Chokes

Suited for LAN and Telecom WAN Applications



- Ⓟ Pulse Patented 4 Pad SLIC SMD LPC package
- Ⓟ Compact Industry standard Size
- Ⓟ Filters common mode noise for EMI reduction
- Ⓟ Common mode attenuation from 100 KHz to 1 GHz
- Ⓟ RoHS peak reflow solder temperature <260°C

Electrical Specifications @ 25°C

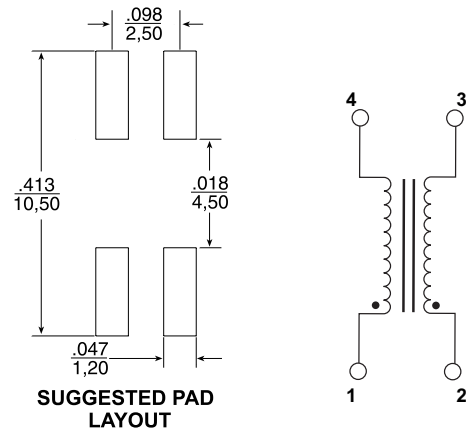
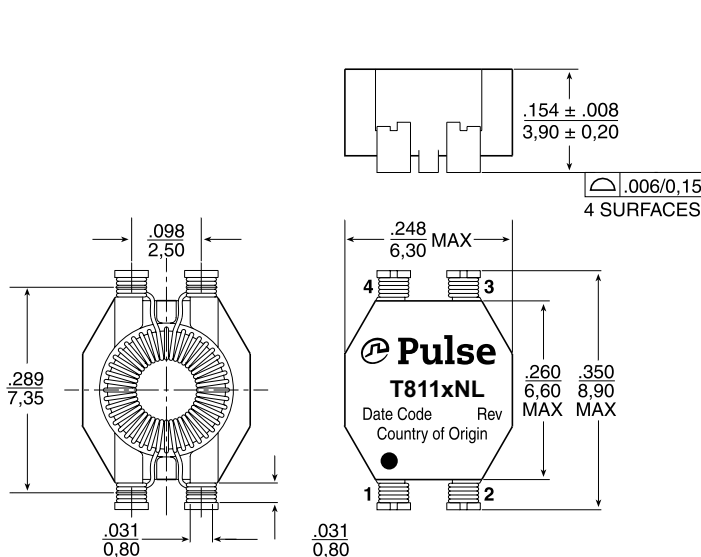
| Part Number ¹ | No. of Lines | Primary Inductance OCL ($\mu\text{H} +50\% / -30\%$) | L_1 ($\mu\text{H TYP}$) | DCR ($\Omega \text{ MAX}$) | Current Rating (mAdc) | Isolation (Vrms) | Primary Application |
|--------------------------|--------------|-----------------------------------------------------------|--------------------------------|---------------------------------|--------------------------|---------------------|---------------------|
| T8119NLT | 2 | 15 | 2.15 | 0.16 | 800 | 500 | CAN |
| TX8111NLT | 2 | 51 | 2.60 | 0.20 | 800 | 500 | CAN |
| T8116NLT | 2 | 470 | 0.20 | 0.30 | 700 | 500 | LAN |
| T8112NLT | 2 | 1,000 | 0.20 | 0.30 | 700 | 500 | WAN |
| T8113NLT | 2 | 2,200 | 0.25 | 0.40 | 500 | 500 | WAN |
| T8114NLT | 2 | 4,700 | 0.40 | 0.70 | 400 | 500 | WAN |

1. These Chokes are only supplied in full packed reel with 1600pcs
2. MSL = Moisture Sensitivity Level =1

MECHANICALS

SCHEMATICS

SHASTA - T811xNL, TX8111NL



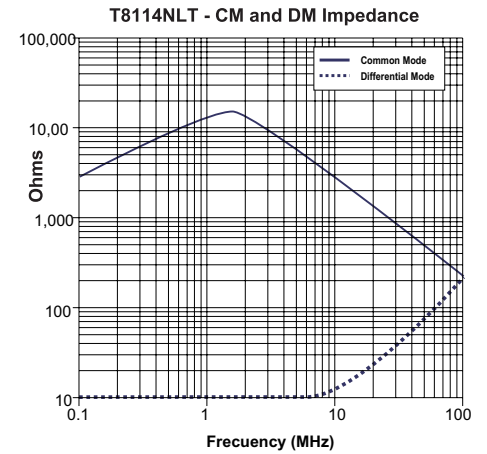
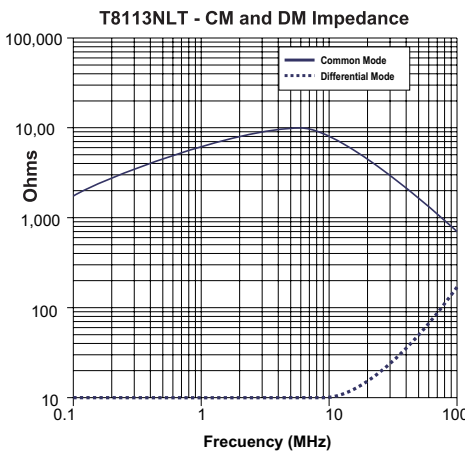
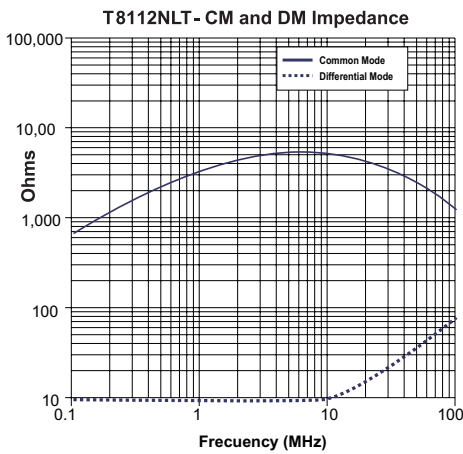
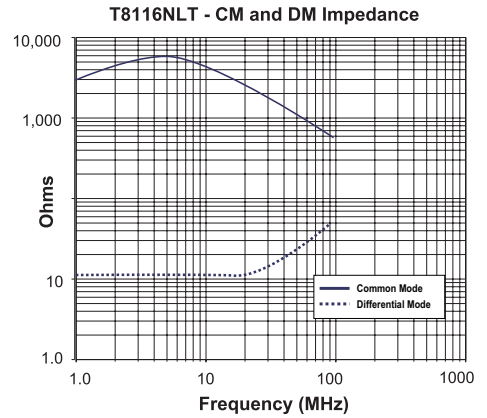
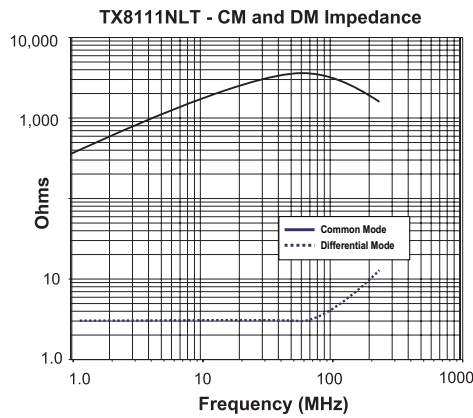
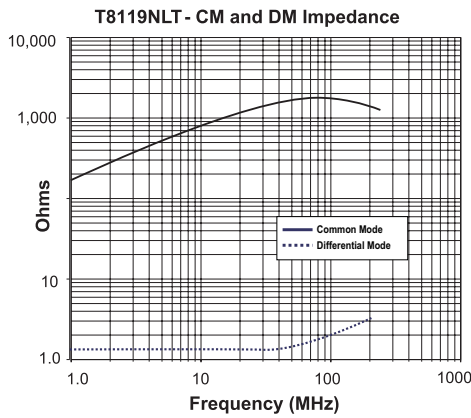
Dimensions: Inches
mm
Unless otherwise specified,
all tolerances are ± .010
0.25

Weight 0.20 grams
Tape & Reel 1600/reel

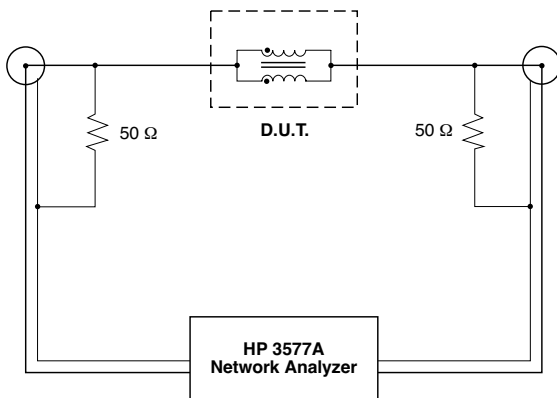
Surface Mount 2-Wire Slic Common Mode Chokes

Suited for LAN and Telecom WAN Applications

COMMON AND DIFFERENTIAL MODE PERFORMANCE CURVES



COMMON MODE TEST CIRCUIT FOR SURFACE MOUNT AND THROUGH HOLE



Test Notes:

1. Network analyzer calibrated to compensate for 50 Ω resistors.
2. All windings on a core are connected in parallel for the test.
3. For multi-core chokes, test data is for one core only. The windings on the other core(s) are left unconnected (i.e. open).

For More Information:

Americas - prodinfonetworkamericas@yageo.com | Europe - prodinfonetworkemea@yageo.com | Asia - prodinfonetworkapac@yageo.com

Performance warranty of products offered on this data sheet is limited to the parameters specified. Data is subject to change without notice. Other brand and product names mentioned herein may be trademarks or registered trademarks of their respective owners. © Copyright, 2023. Pulse Electronics, Inc. All rights reserved.

Looking for pricing, stock, or lifecycle information?

Click below to explore more details on WIN SOURCE:

 [View T8112NLT on WIN SOURCE](#)

 [Pulse Information](#)

Optimize Your Supply Chain with WIN SOURCE Solutions

-  Global Sourcing Solution
-  Obsolete Management
-  Cost Control Management
-  Shortage Management
-  Alternative Solution
-  Excess Inventory Management