

WIN*SOURCE*
ELECTRONICS

THE DATASHEET OF
1379674-1



1379674-1 ✓ ACTIVE

TH/.025 Connector System

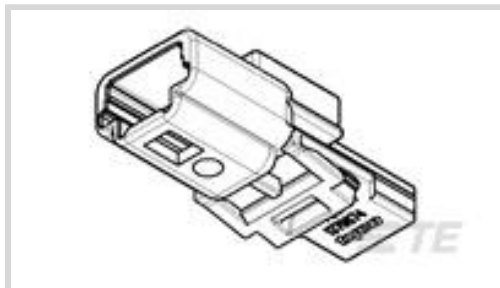
TE Internal #: 1379674-1

Housing for Male Terminals, Wire-to-Wire, 4 Position, 2.2 mm [.087 in] Centerline, Black, Wire & Cable, Signal, TH/.025 Connector System

[View on TE.com >](#)



Connectors > Automotive Connectors > Automotive Housings > TH/.025 CONNECTOR SYSTEM, HOUSING



Connector System: **Wire-to-Wire**

Number of Positions: **4**

Connector & Housing Type: **Housing for Male Terminals**

Centerline (Pitch): **2.2 mm [.087 in]**

Sealable: **No**

[All TH/.025 CONNECTOR SYSTEM, HOUSING \(177\)](#)

Features

Product Type Features

Mixed & Hybrid Connector	No
Connector Shape	Rectangular
Connector System	Wire-to-Wire
Connector & Housing Type	Housing for Male Terminals
Sealable	No
Connector & Contact Terminates To	Wire & Cable
Primary Locking Feature	On the Terminal

Configuration Features

Number of Positions	4
Number of Rows	1

Electrical Characteristics

Operating Voltage	14 VDC
Nominal Voltage Architecture	14 V

Body Features

Cable Exit Angle	180°
Primary Product Color	Black
Connector & Keying Code	1



Contact Features

Contact Size	.63mm
Contact Type	Tab
Mating Tab Width	.64 mm[.025 in]
Contact Current Rating (Max)	7.5 A

Mechanical Attachment

Terminal Position Assurance	Yes
Strain Relief	Without
Mating Alignment Type	Keyed
Mating Alignment	With
Connector Mounting Type	Cable Mount (Free-Hanging)

Housing Features

Housing Material	PBT
Centerline (Pitch)	2.2 mm[.087 in]

Dimensions

Connector Height	11.75 mm[.463 in]
Product Width	33.4 mm[1.315 in]
Product Length	14 mm[.551 in]

Usage Conditions

Operating Temperature (Max)	70 °C, 75 °C, 80 °C, 85 °C, 90 °C, 100 °C [158 °F][167 °F][176 °F][185 °F][194 °F][212 °F]
Operating Temperature Range	-40 – 100 °C[-40 – 212 °F]

Operation/Application

Circuit Application	Signal
---------------------	--------

Industry Standards

UL Flammability Rating	UL 94HB
------------------------	---------

Packaging Features

Packaging Quantity	100
Packaging Method	Bag

Other

Serviceable	Yes
-------------	-----



Connector Position Assurance Capable

No

Product Compliance

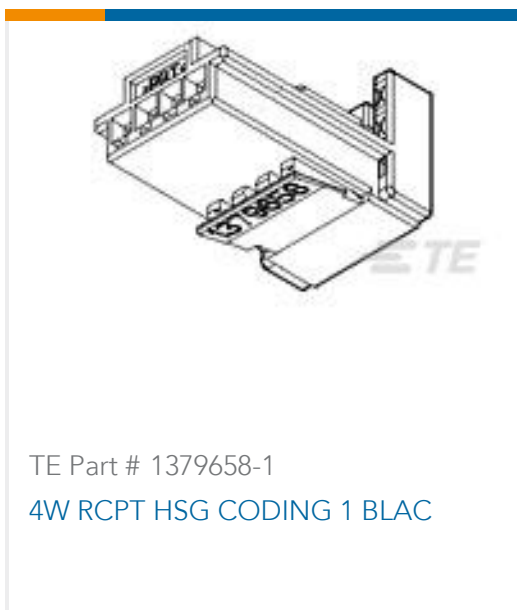
[For compliance documentation, visit the product page on TE.com>](#)

EU RoHS Directive 2011/65/EU	Compliant
EU ELV Directive 2000/53/EC	Compliant
China RoHS 2 Directive MIIT Order No 32, 2016	No Restricted Materials Above Threshold
EU REACH Regulation (EC) No. 1907/2006	Current ECHA Candidate List: JUNE 2024 (241) Candidate List Declared Against: JUNE 2023 (235) Does not contain REACH SVHC
Halogen Content	Low Halogen - Br, Cl, F, I < 900 ppm per homogenous material. Also BFR/CFR/PVC Free
Solder Process Capability	Not reviewed for solder process capability

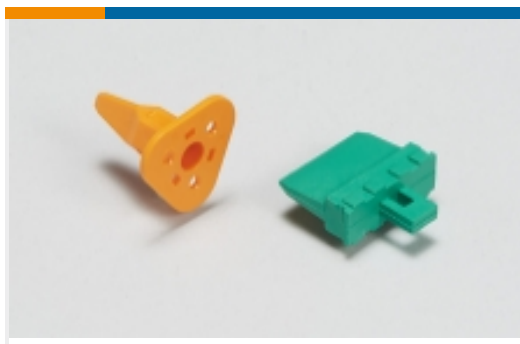
Product Compliance Disclaimer

This information is provided based on reasonable inquiry of our suppliers and represents our current actual knowledge based on the information they provided. This information is subject to change. The part numbers that TE has identified as EU RoHS compliant have a maximum concentration of 0.1% by weight in homogenous materials for lead, hexavalent chromium, mercury, PBB, PBDE, DBP, BBP, DEHP, DIBP, and 0.01% for cadmium, or qualify for an exemption to these limits as defined in the Annexes of Directive 2011/65/EU (RoHS2). Finished electrical and electronic equipment products will be CE marked as required by Directive 2011/65/EU. Components may not be CE marked. Additionally, the part numbers that TE has identified as EU ELV compliant have a maximum concentration of 0.1% by weight in homogenous materials for lead, hexavalent chromium, and mercury, and 0.01% for cadmium, or qualify for an exemption to these limits as defined in the Annexes of Directive 2000/53/EC (ELV). Regarding the REACH Regulation, the information TE provides on SVHC in articles for this part number is based on the latest European Chemicals Agency (ECHA) 'Guidance on requirements for substances in articles' posted at this URL: <https://echa.europa.eu/guidance-documents/guidance-on-reach>

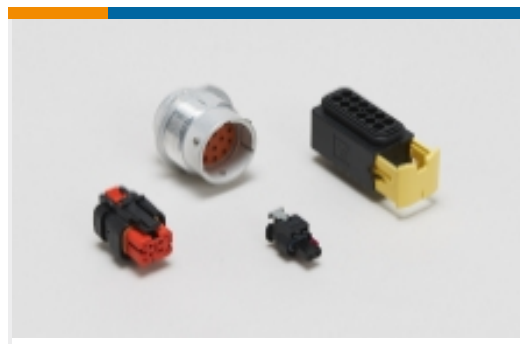
Compatible Parts



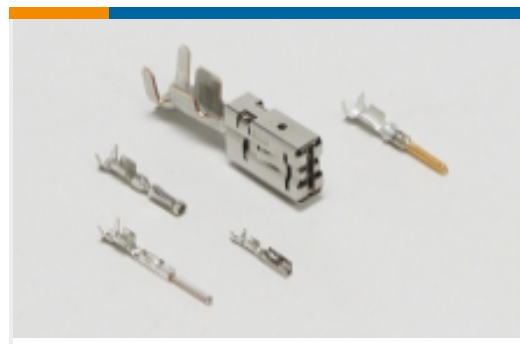
Also in the Series | [TH/.025 Connector System](#)



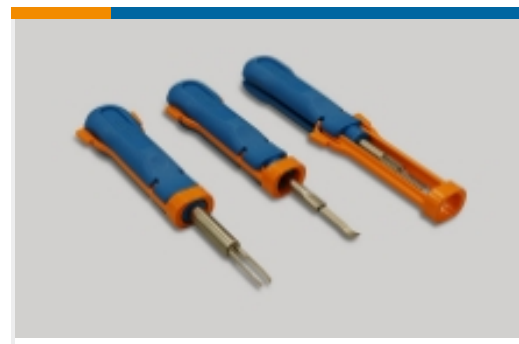
Automotive Connector Locks & Position Assurance(1)



Automotive Housings(62)



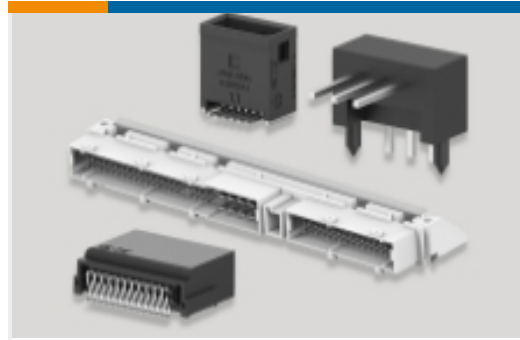
Automotive Terminals(8)



Insertion & Extraction Tools(4)

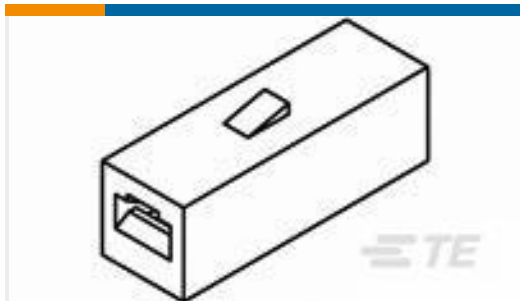


Other Automotive Connector Accessories(1)



PCB Headers & Receptacles(7)

Customers Also Bought



TE Part #626062
FASTIN-ON HOUSING REC PA66
NATURAL



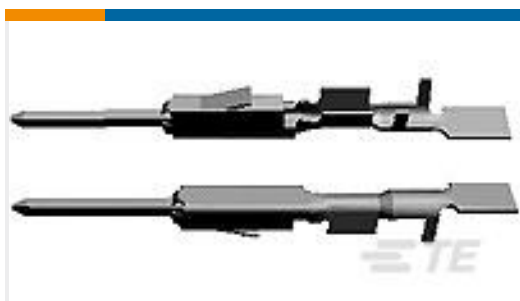
TE Part #880634-5
FF 110 REC 0.5-1.0 MM2 0.25 X 12.3
PTPBR



TE Part #CH03446001
QSZH-125-NR1-30MM



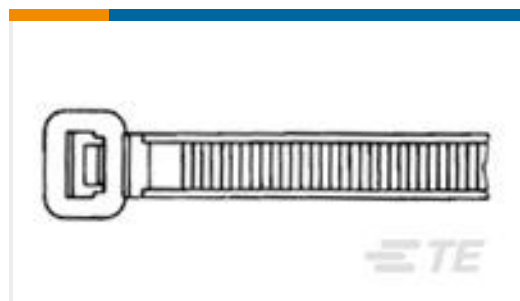
TE Part #2141882-2
TAB A 1.6x0.6 CONTACT CF SRC Sn



TE Part #5-965908-2
MQS0,63 Au tab LL EDS 0,5-0,75



TE Part #0021036033
RBK-ILS-125-NR3-0-25MM



TE Part #2-160967-2
CABLE TY 98X2.5 BLA



TE Part #2-2005159-2
BULB ASSY FOR T20/T2 NEW BK



TE Part #1-2359440-1
18POS,AMP MCP 1.5K,REC HSG,
UNSLD



TE Part #925014
2 P FF 110(2.8 MM) HOUSING
RECEPTACLE

Documents



Product Drawings

4W TAB HSG CODING 1 BLACK

English

CAD Files

3D PDF

3D

Customer View Model

[ENG_CVM_CVM_1379674-1_A_c-1379674-1-a.2d_dxf.zip](#)

English

Customer View Model

[ENG_CVM_CVM_1379674-1_A_c-1379674-1-a.3d_igs.zip](#)

English

Customer View Model

[ENG_CVM_CVM_1379674-1_A_c-1379674-1-a.3d_stp.zip](#)

English

By downloading the CAD file I accept and agree to the [Terms and Conditions](#) of use.

Product Specifications

Product Specification

English

Packaging specification for TH Tab en Plug (TH TES)

English

Instruction Sheets

Instruction Sheet (non U.S.)

English

Looking for pricing, stock, or lifecycle information?

Click below to explore more details on WIN SOURCE:

[View 1379674-1 on WIN SOURCE](#)

[TE Connectivity Information](#)

Optimize Your Supply Chain with WIN SOURCE Solutions

- ✓ Global Sourcing Solution
- ✓ Obsolete Management
- ✓ Cost Control Management
- ✓ Shortage Management
- ✓ Alternative Solution
- ✓ Excess Inventory Management