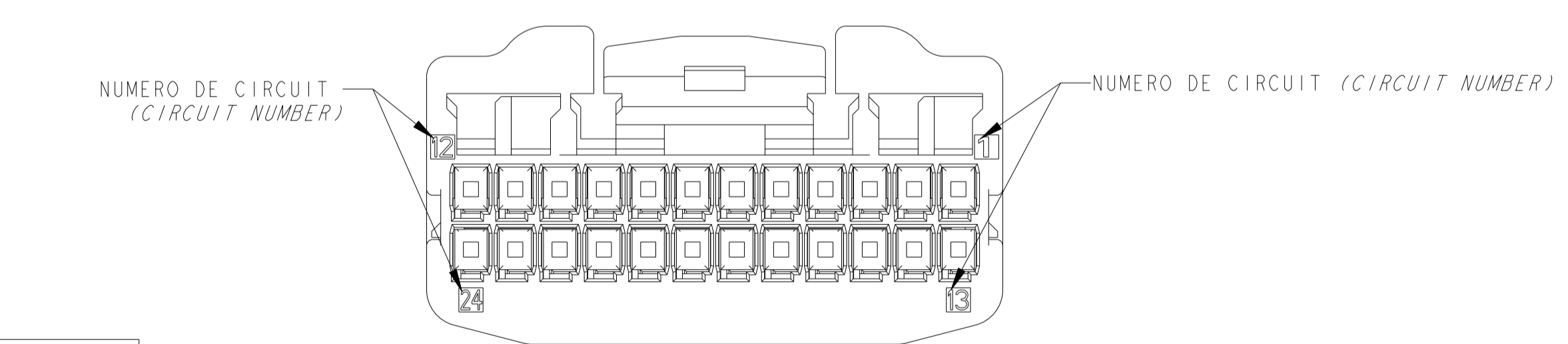
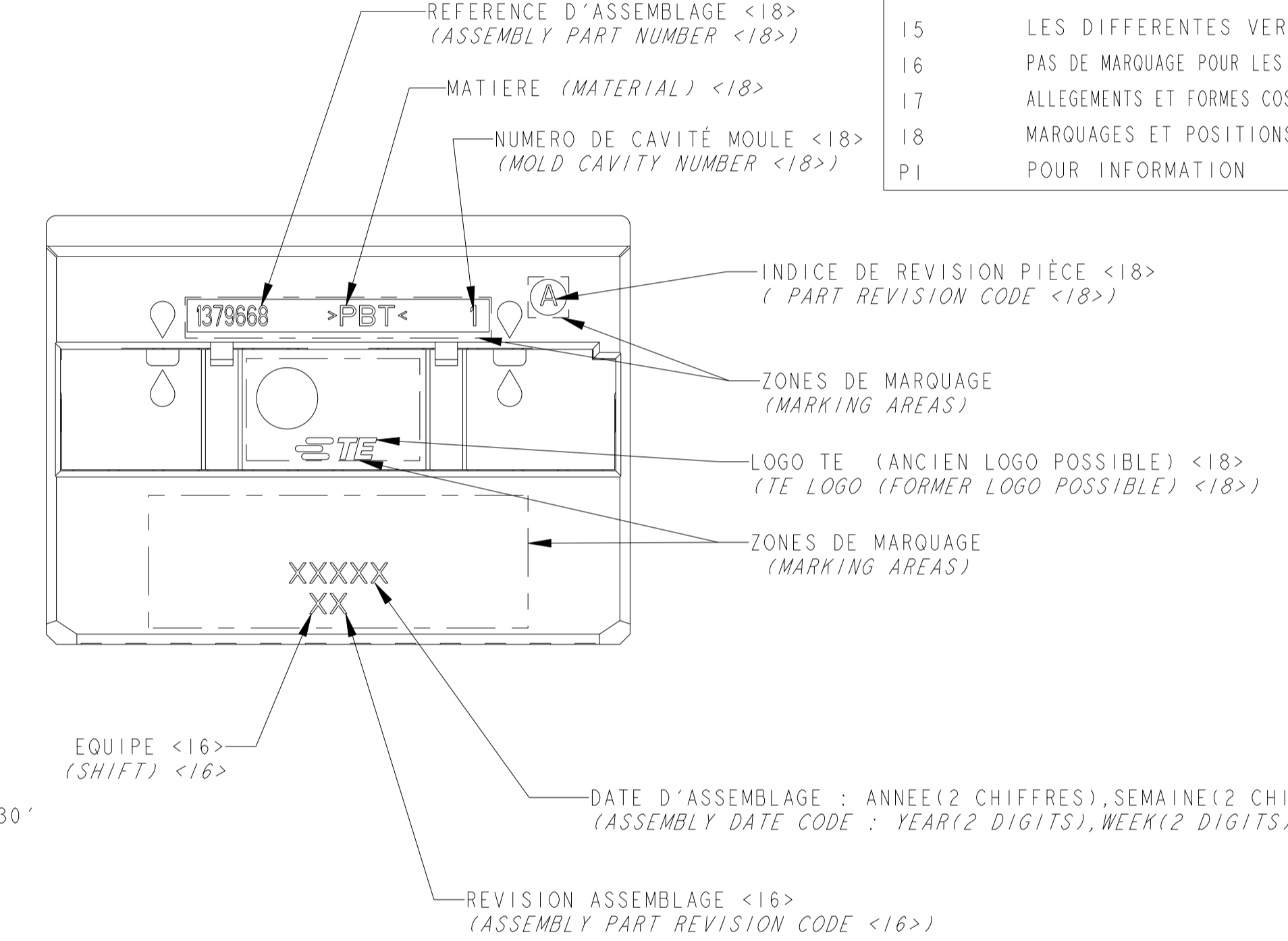
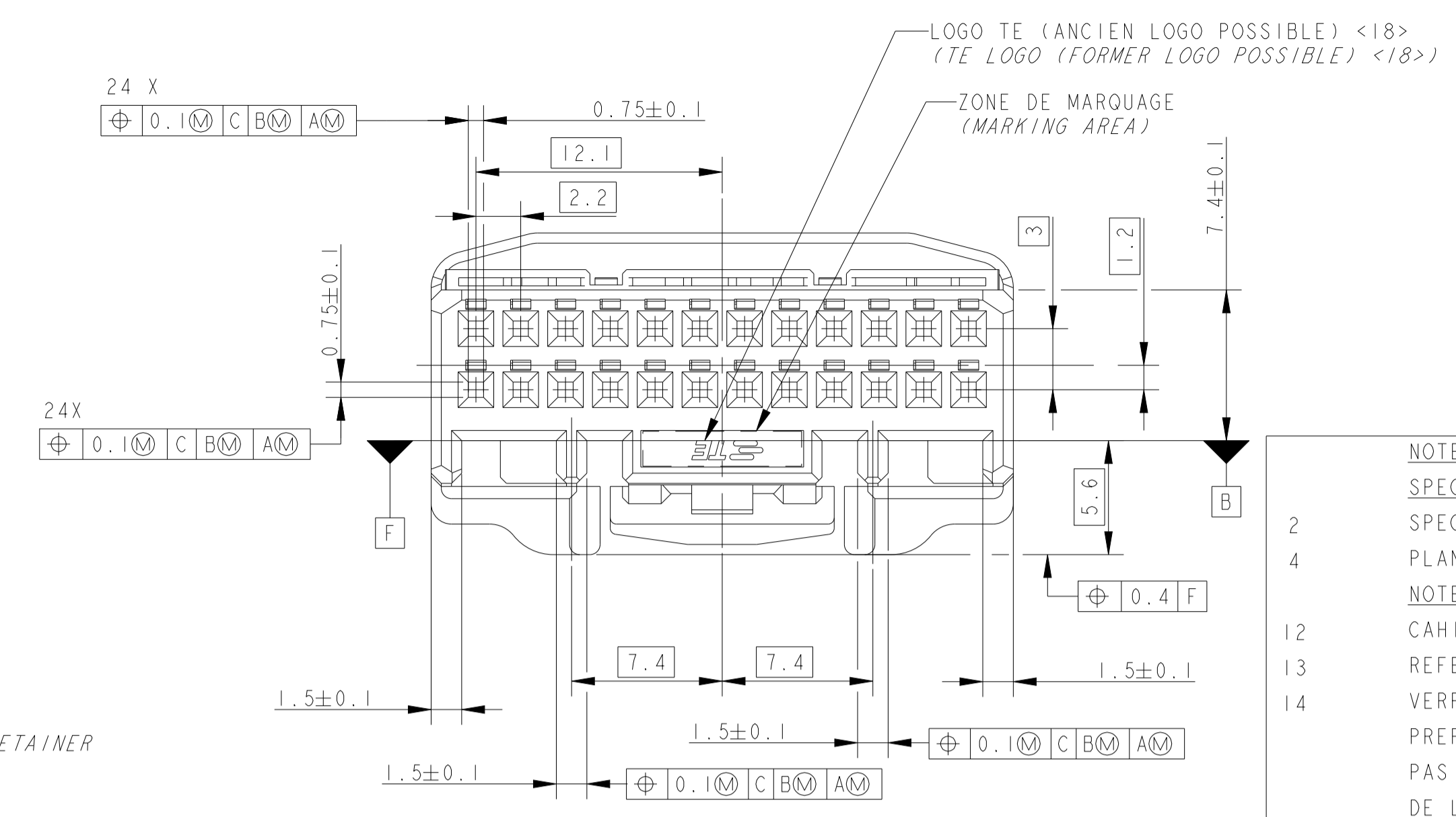
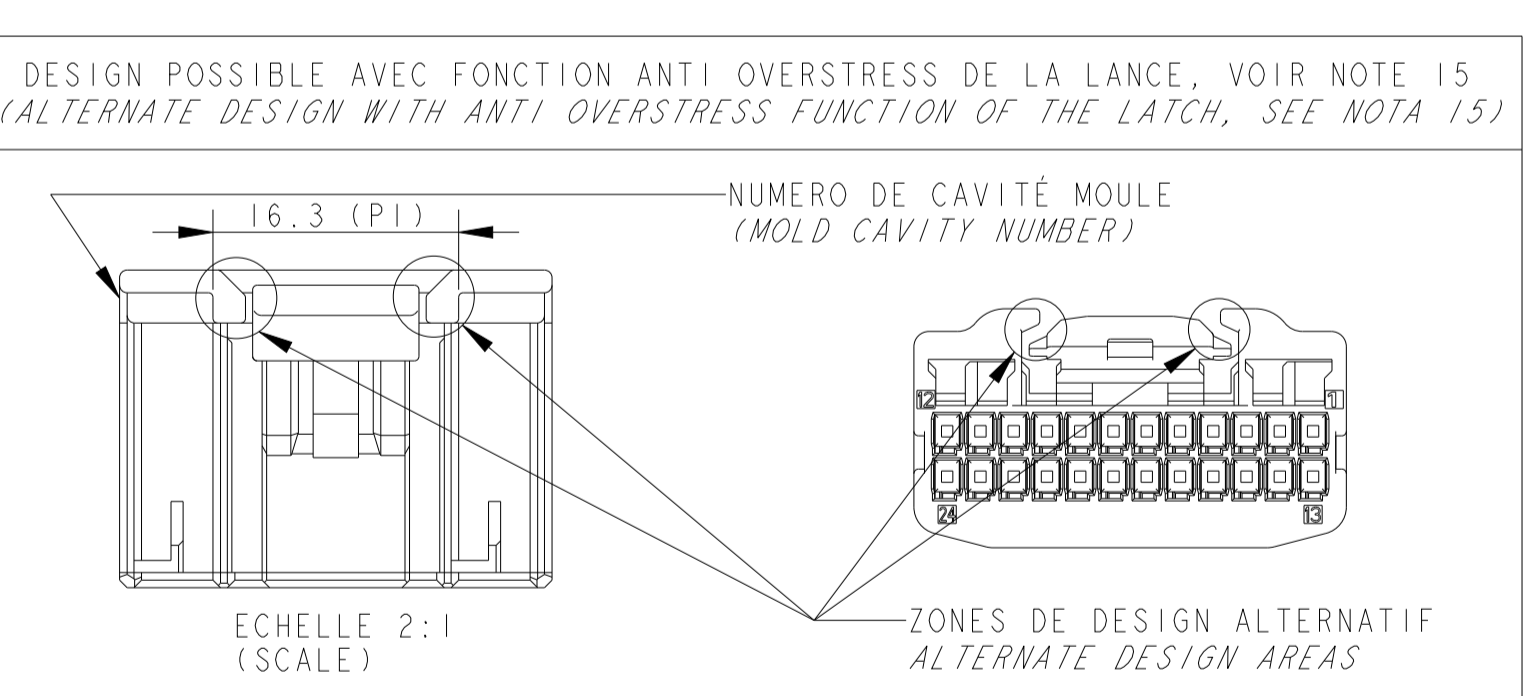
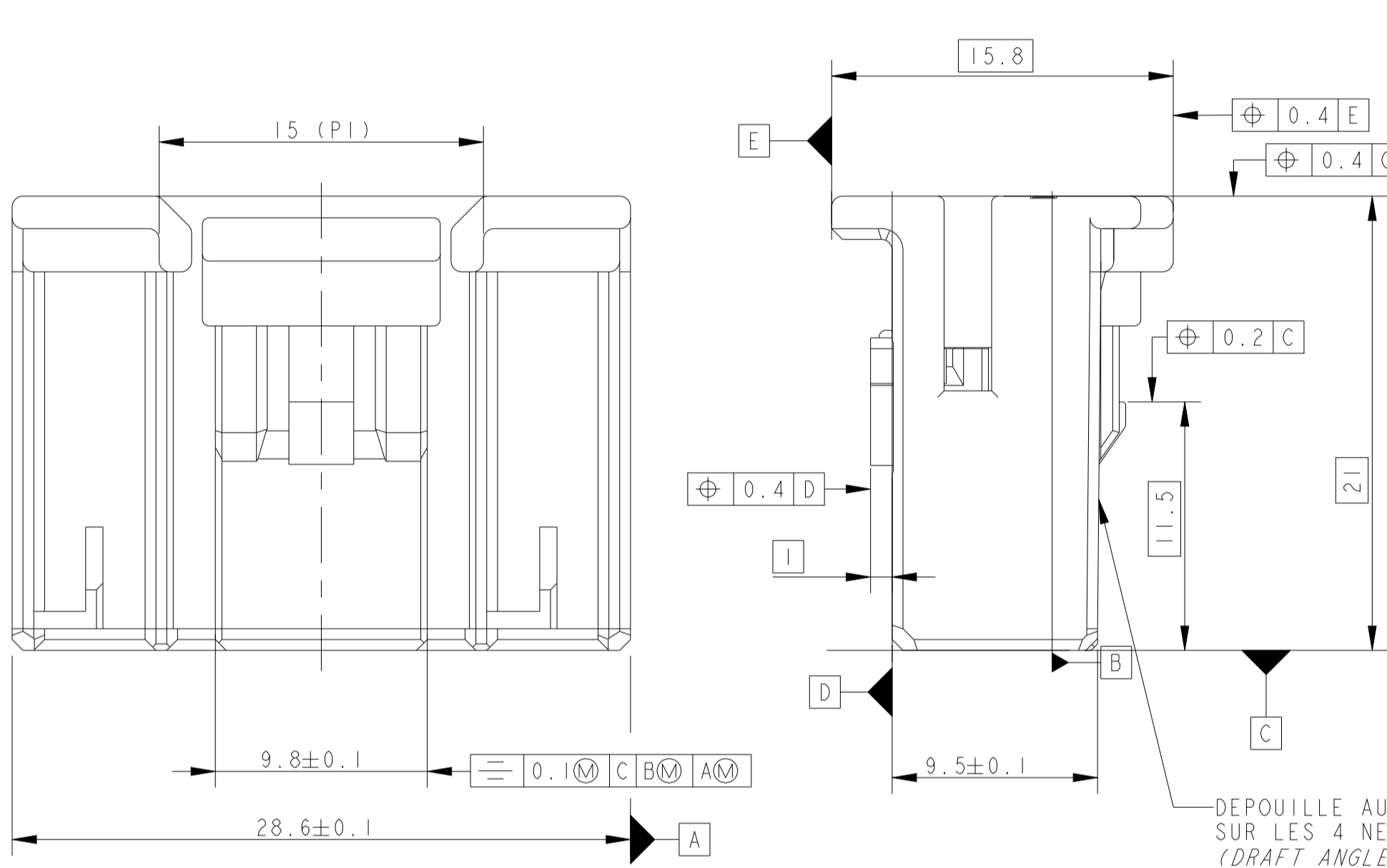
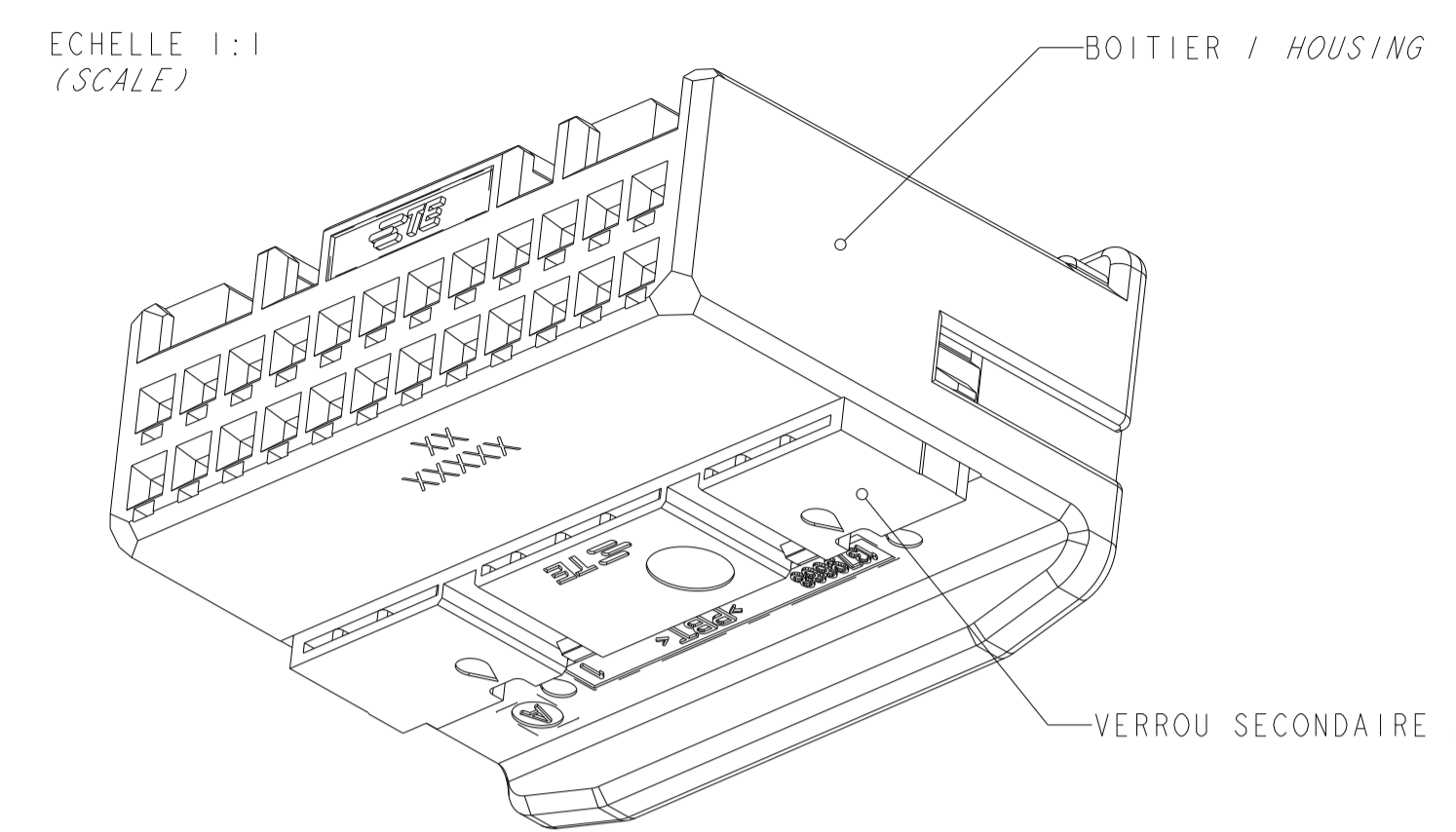
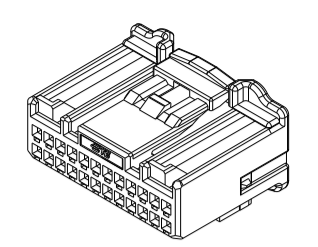




**THE DATASHEET OF**  
**1379668-2**

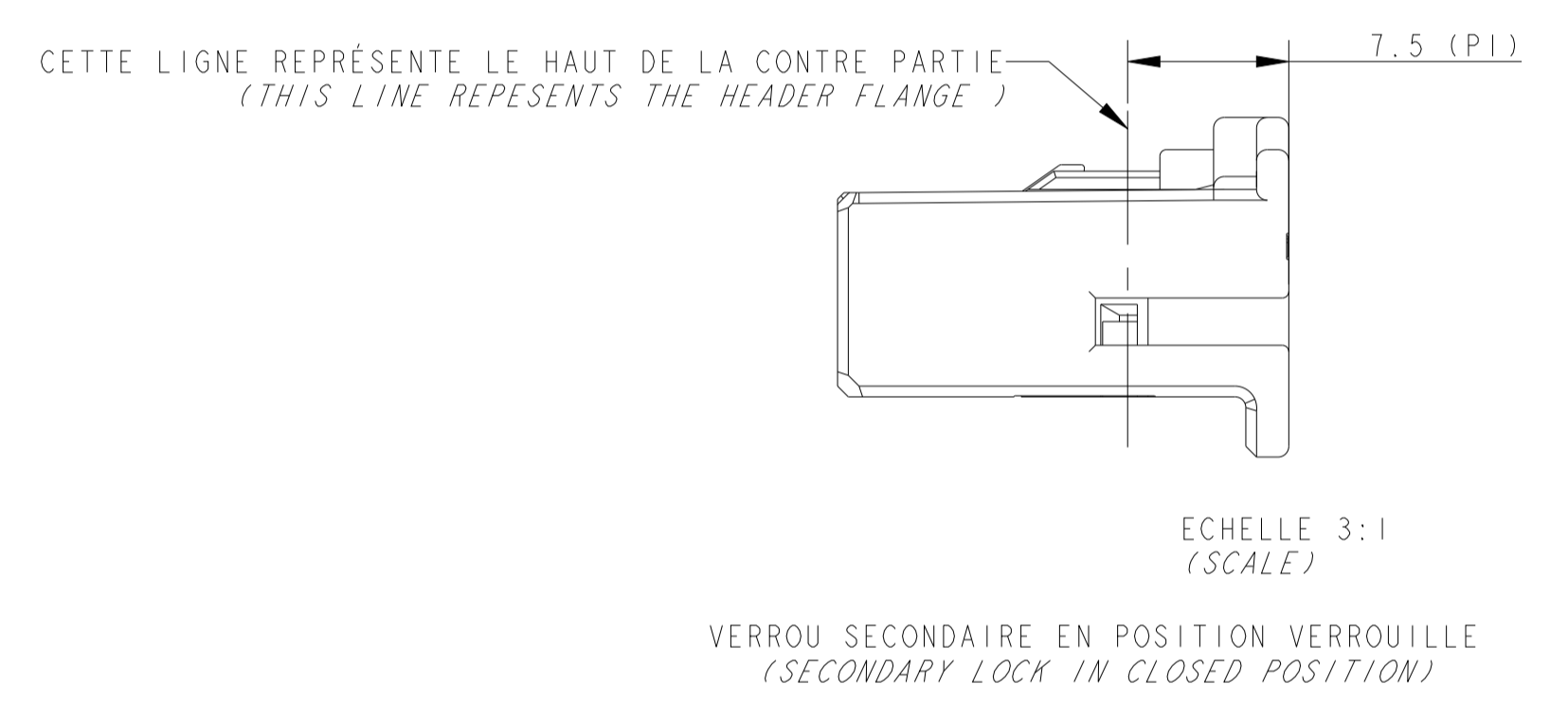


LOC	DIST	REVISIONS						
F	00	P	LTA	REV	DESCRIPTION	DATE	DWN	APPV
		J			CHANGE PROCESS OF ASSEMBLY TRACEABILITY	30OCT2015	DB	XR
		K			DRAWING CLARIFICATION FOR MARKINGS	16FEB2017	DB	XR
		L			GREEN CODING ADDED	4NOV2020	HY	XR
		M			PN 1674298-1 replace with PN 1123343-1	09JUN2022	CS	XR



NOTES : LES NOTES LOCALES SONT ENTRE <>>  
 SPECIFICATIONS DE REFERENCE :  
 SPECIFICATION TE : 108-15299  
 PLAN D'INTERFACE TE 1379778  
 NOTES COMPLEMENTAIRES  
 12 CAHIER DE PRECONISATION : 411-15672  
 13 REFERENCE REPRESENTEE : 1379668-1  
 14 VERROU SECONDAIRE PREVERROUILLE (POSITION PREFERENTIELLE DE LIVRAISON). SI LE VERROU N'EST PAS DANS CETTE POSITION, SUIVRE LES INSTRUCTIONS DE LA NOTICE TECHNIQUE TE 411-15672 §8.2  
 15 LES DIFFERENTES VERSIONS SONT LIVREES DE FACON ALEATOIRE  
 16 PAS DE MARQUAGE POUR LES PIECES DIRECTEMENT ASSEMBLEES APRES MOULAGE  
 17 ALLEGEMENTS ET FORMES COSMETIQUES PEUVENT DIFFERER D'UN MOULE A L'AUTRE  
 18 MARQUAGES ET POSITIONS PEUVENT DIFFERER D'UN MOULE A L'AUTRE  
 P1 POUR INFORMATION

APPLICABLE SPECIFICATION :  
 TE SPECIFICATION (SEE BEFORE)  
 TE INTERFACE DRAWING (SEE BEFORE)  
 ADDITIONAL NOTES :  
 INSTRUCTION SHEET : (SEE BEFORE)  
 PART NUMBER SHOWN (SEE BEFORE)  
 SECONDARY LOCK IN PRELOCKED POSITION (PREFERRED DELIVERY POSITION). IF SECONDARY LOCKING IS NOT IN THIS POSITION, FOLLOW INSTRUCTIONS OF TE SPECIFICATION 411-15672 §8.2  
 THE DIFFERENT VERSIONS ARE DELIVERED SO RANDOM  
 NO MARKING REQUIRED FOR THE PART MOLDING WITH DIRECT ASSEMBLY  
 LIGHTENINGS (DIMENSION & LOCATION), COSMETIC SHAPES CAN DIFFER FROM ONE MOLD TO ANOTHER  
 MARKING TYPE & LOCATION CAN DIFFER FROM ONE MOLD TO ANOTHER  
 FOR REFERENCE ONLY



CONTACTS ASSOCIES LISTE NON EXHAUSTIVE (APPLIED CONTACTS NON EXHAUSTIVE LIST)

REF TE / TE PN	FINITION (FINISH)	DESIGNATION (DESIGNATION)
1123343-2	DORE (0.38µm) / GOLDED (0.38µm)	CLIP .635 (.635 CONTACT) 0.35 A 0.5 MM <sup>2</sup> (SOMM)
1801069-2	DORE (0.8µm) / GOLDED (0.8µm)	CLIP .635 (.635 CONTACT) 0.35 A 0.5 MM <sup>2</sup> (SOMM)
1123343-1	ETAME (TINNED)	CLIP .635 (.635 CONTACT) 0.35 A 0.5 MM <sup>2</sup> (SOMM)

REF TE / TE PN	DESCRIPTION / DESCRIPTION	CODAGE / KEYING	MATIERE BOITIER - MATIERE VERROU SECONDAIRE / HOUSING MATERIAL - RETAINER MATERIAL	COULEUR BOITIER - COULEUR VERROU SECONDAIRE / HOUSING COLOR - RETAINER COLOR	REVISION ASSEMBLAGE / ASSEMBLY REVISION CODE
1379668-5	CONNECTEUR 24 VOIES / 24 WAYS CONNECTOR	NEUTRE / NEUTRAL	PBT-PBT / PBT-PBT	NATUREL-NATUREL / NATURAL-NATURAL	F
1379668-4	CONNECTEUR 24 VOIES / 24 WAYS CONNECTOR	4 / 4	PBT-PBT / PBT-PBT	VERT-NATUREL / GREEN-NATURAL	F
1379668-2	CONNECTEUR 24 VOIES / 24 WAYS CONNECTOR	2 / 2	PBT-PBT / PBT-PBT	GRIS-NATUREL / GREY-NATURAL	F
1379668-1	CONNECTEUR 24 VOIES / 24 WAYS CONNECTOR	1 / 1	PBT-PBT / PBT-PBT	NOIR-NATUREL / BLACK-NATURAL	F

THIS DRAWING IS A CONTROLLED DOCUMENT. CE PLAN EST UN DOCUMENT CONTROLÉ PAR TOUTE ÉLECTRONIQUE. IL EST SPÉCIFIQUE À CE PRODUIT. CONTACTER LE SERVICE TECHNIQUE DE TICO ÉLECTRONIQUE POUR OBTENIR LA DERNIÈRE RÉVISION.

DIMENSIONS: mm

TOLERANCES UNLESS OTHERWISE SPECIFIED: (SUIVRE LE DE DÉCIMALES):  
 0 P.L.C./DEC: ±0.2  
 1 P.L.C./DEC: ±0.2  
 2 P.L.C./DEC: ±0.2  
 3 P.L.C./DEC: ±0.2  
 4 P.L.C./DEC: ±0.2  
 ANGLES: ±5°

OWN / REVISION: 01OCT2002  
 B. DUPONT  
 CH. PIERRE / 01OCT2002  
 JP. PICAUD

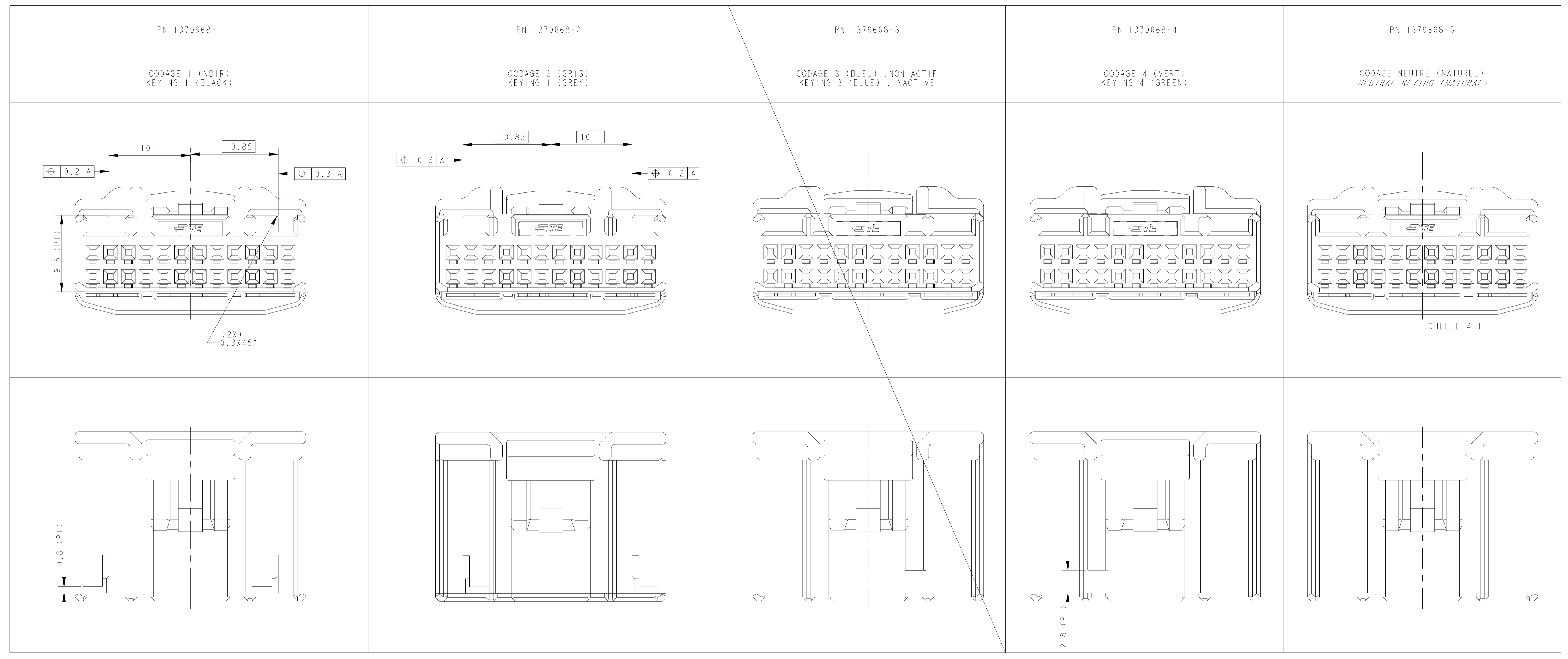
APVD / APPROVE: 01OCT2002  
 JP. PICAUD  
 PRODUCT SPEC: SEE TABLE  
 SPEC. PRODUCT: SEE TABLE  
 APPLICATION SPEC: SEE TABLE  
 SPEC. APPLICATION: SEE TABLE

NAME: 025 TH 24 POS PLUG HOUSING  
 SIZE: A1  
 CAGE CODE: 00779  
 DRAWING NO: 1379668  
 No. PLAN: 1379668

RESTRICTED TO RESERVE A

Customer Drawing / PLAN CLIENT UNIFORMITÉ POUR REFERENCE  
 SCALE: 4:1 SHEET FEUILLE 1 OF DE 2 REV M

LOC		DIST		REVISIONS			
P	LTN	REV	DESCRIPTION	DATE	DWN	APVD	APP.
			SEE SHEET 1				



<p>THIS DRAWING IS A CONTROLLED DOCUMENT.          CE PLAN EST UN DOCUMENT CONTRÔLÉ PAR TYSO ELECTRONICS - IL EST          SENSIBLE À TOUTS CHANGEMENTS DE SERVICE. TOUTES LES MODIFICATIONS          DE TYSO ELECTRONICS DOIVENT ÊTRE LAisséES EN REGISTRE.</p>		<p>DWN / RESSINE: 01OCT2002          B. DUPONT          CHK / REVUE: 01OCT2002          JP. PICAUD</p>		<p>NAME: 025 TH 24 POS          PLUG HOUSING</p>			
<p>DIMENSIONS: mm</p>		<p>TOLERANCES UNLESS OTHERWISE SPECIFIED:          (S'ILY A DE DÉCIMALES):          0 P.L.C./DEC: ±0.2          1 P.L.C./DEC: ±0.2          2 P.L.C./DEC: ±0.2          3 P.L.C./DEC: ±0.2          4 P.L.C./DEC: ±0.2          ANGLES: ±5°          FINISH / FINITION: N°A</p>		<p>APVD / APPROUVÉ: 01OCT2002          JP. PICAUD          PRODUCT SPEC: SEE TABLE          SPEC. PRODUCT: SEE TABLE          APPLICATION SPEC: SEE TABLE          SPEC. APPLICATION: SEE TABLE          WEIGHT: -          MASSE APPROX.: -</p>		<p>SIZE / FORMAT: A1          CAGE CODE / DRAWING NO: 1379668          UNIFORMITY / ÉCHELLE: 4:1          SHEET / FEUILLE: 2 OF 2          REV: M</p>	
<p>MATERIAL / MATIÈRE: SEE TABLE</p>		<p>RESTRICTED TO RESERVE A</p>		<p>Customer Drawing / PLAN CLIENT</p>			

## Looking for pricing, stock, or lifecycle information?

Click below to explore more details on WIN SOURCE:

 [View 1379668-2 on WIN SOURCE](#)

 [TE Connectivity](#) Information

## Optimize Your Supply Chain with WIN SOURCE Solutions

-  Global Sourcing Solution
-  Obsolete Management
-  Cost Control Management
-  Shortage Management
-  Alternative Solution
-  Excess Inventory Management