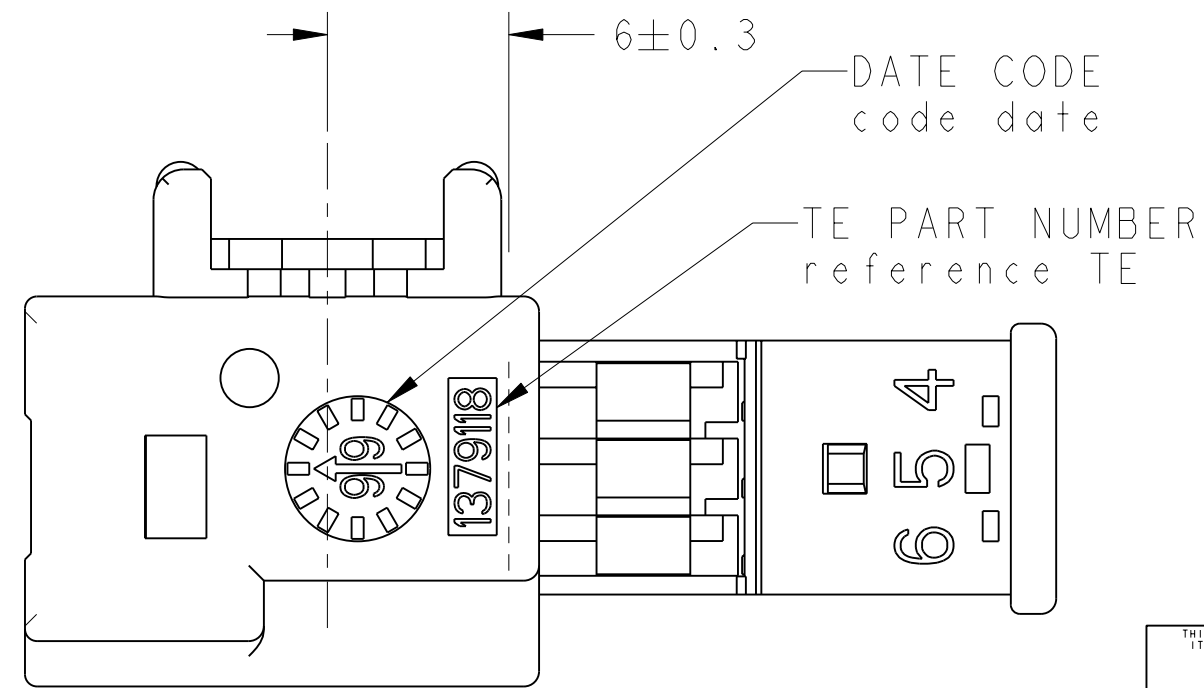
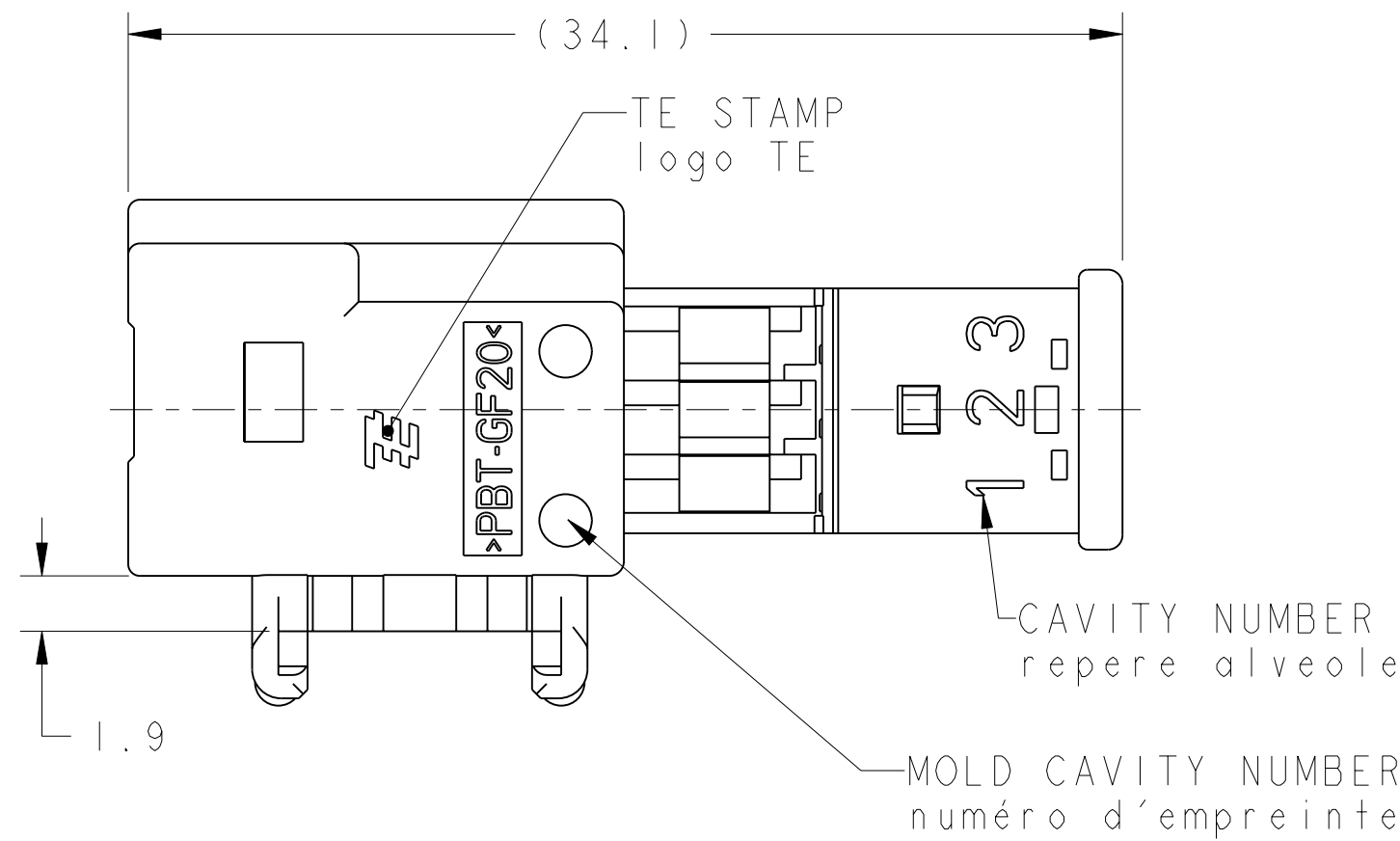
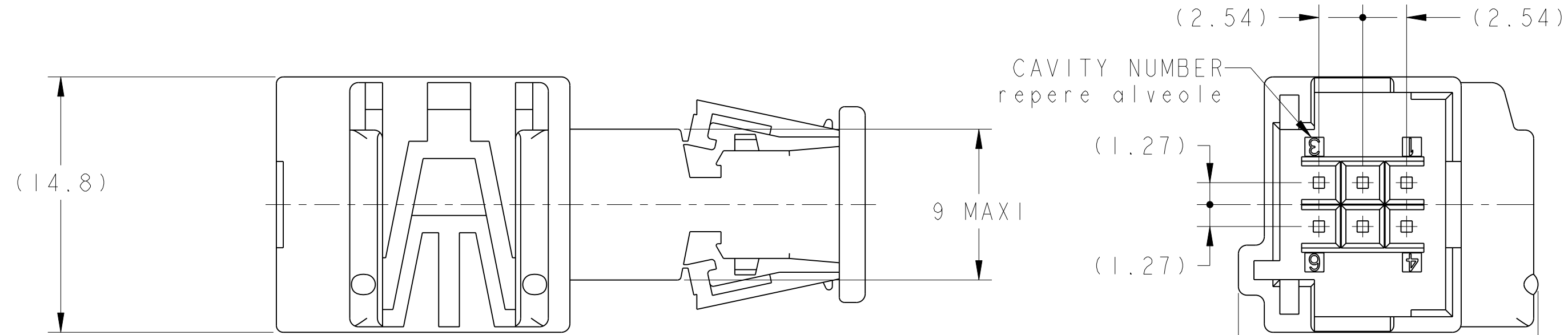


THIS DRAWING IS UNPUBLISHED. / DIFFUSION RESTREINTE
 RELEASED FOR PUBLICATION / LIBRE A LA DIFFUSION 2009
 © COPYRIGHT 2009 BY TYCO ELECTRONICS CORPORATION. ALL RIGHTS RESERVED. / TOUS DROITS RESERVES

LOC	DIST	REVISIONS				
F	00	P	LTR	DATE	DWN DESS.	APVD APP.

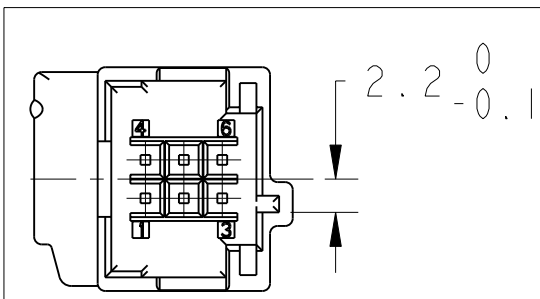


CAVITY NUMBER
repere alveole

(1.27)

(1.27)

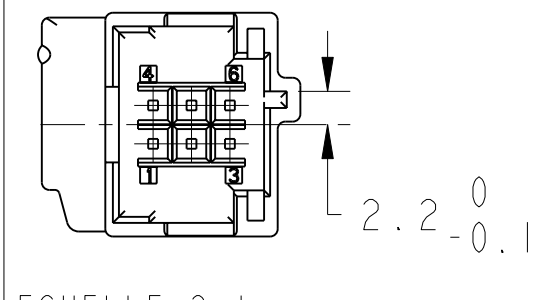
(17.5)



BROWN
marron

1379118-4

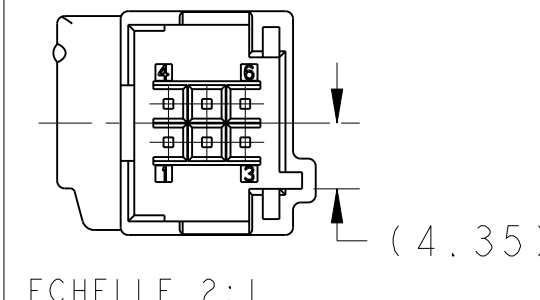
ECHELLE 2:1



GREEN
vert

1379118-3

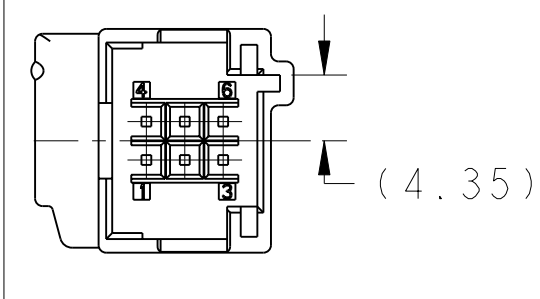
ECHELLE 2:1



WHITE
blanc

1379118-2

ECHELLE 2:1



BLACK
noir

1379118-1

ECHELLE 2:1

PART TO BE USED WITH
 MQS TAB CONTACT PN: SEE TE DRAWING PN 929453
 COVER FOR MQS 6 POS HOUSING GENE II PN: 953382-X
 LOCKING DEVICE FOR MQS 6 POS GENE II PN: 953381-1
 SOCKET HOUSING FOR MQS 6 POS PN: 185311-1
 piece a utiliser avec
 languette MQS ref: voir plan TE ref 929453
 porte-module 6 voies MQS gen II ref: 953382-X
 verrou secondaire 6 voies MQS gene II: 953381-1
 module 6 voies MQS ref: 185311-1

PACKAGING SPECIFICATION : 107-15440
 specification de conditionnement: voir ci-dessus.

KEYING
detrompage

COLOR
couleur

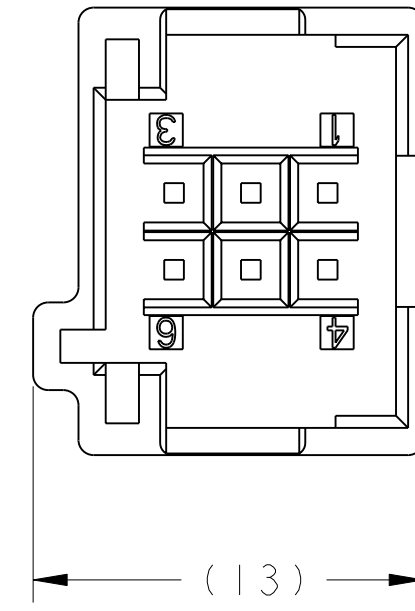
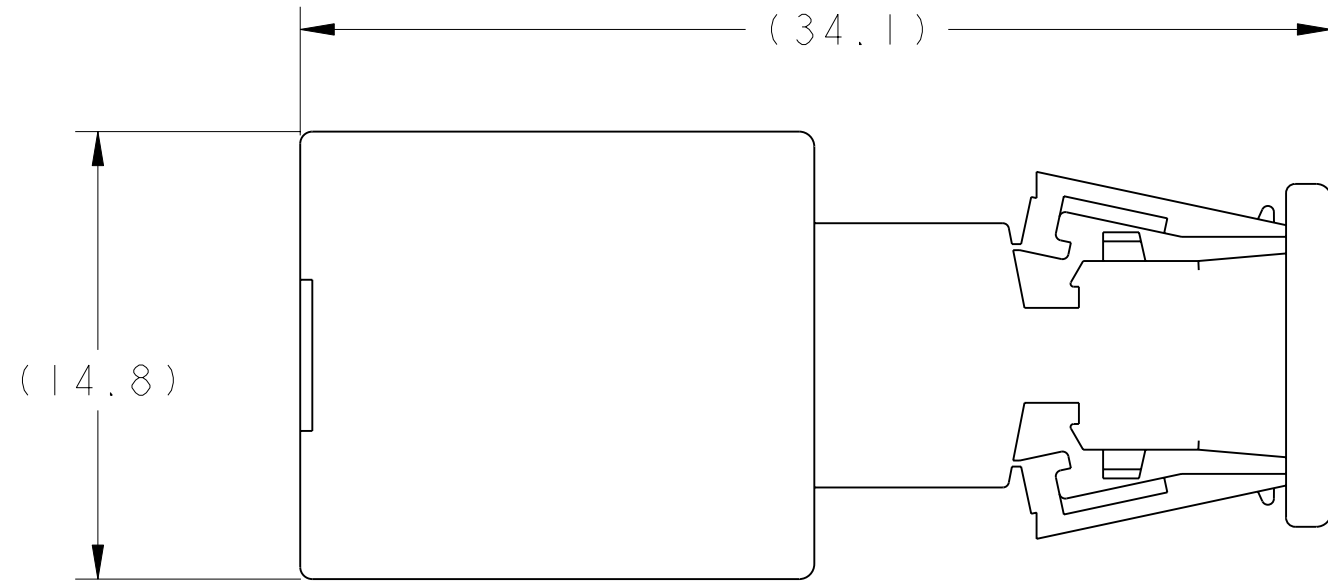
TE PN
ref TE

<small>THIS DRAWING IS A CONTROLLED DOCUMENT FOR TYCO ELECTRONICS CORPORATION. IT IS SUBJECT TO CHANGE AND THE CONTROLLING ENGINEERING ORGANIZATION SHOULD BE CONTACTED FOR THE LATEST REVISION. / CE PLAN EST UN DOCUMENT CONTROLÉ PAR TYCO ELECTRONICS. IL EST SUSCEPTIBLE D'ÊTRE REVISÉ. CONTACTER LE SERVICE TECHNIQUE DE TYCO ELECTRONICS POUR OBTENIR LA DERNIÈRE RÉVISION.</small>		DWN / DESSINE 03MAR2009 M. POLIFONTE CHK / VÉRIFIÉ 03MAR2009 E. CHATELUS APVD / APPROUVÉ 03MAR2009 X. ROUILLARD	Tyco Electronics Tyco Electronics France SAS 95300 Pontoise, France
DIMENSIONS: mm	TOLERANCES UNLESS OTHERWISE SPECIFIED: DIMENSIONS ±0.2 ANGLES ±5° FINISH / FINITION	NAME / TITRE 6W MQS PIN HOUSING POSITIVE MATE P-LANGUETTE 6 VOIES MQS AVALOIR	RESTRICTED TO RESERVE A -
MATERIAL / MATIÈRE PBT-GF20	WEIGHT / MASSE APPROX. 2.8 gr	SIZE / FORMAT A2 CAGE CODE / NO PLAN 00779 DRAWING NO / NO PLAN 1379118	CUSTOMER DRAWING / PLAN CLIENT UNIFORMITY / ÉCHELLE 3:1 SCALE / ÉCHELLE 3:1 SHEET / FEUILLE 1 OF 2 REV A

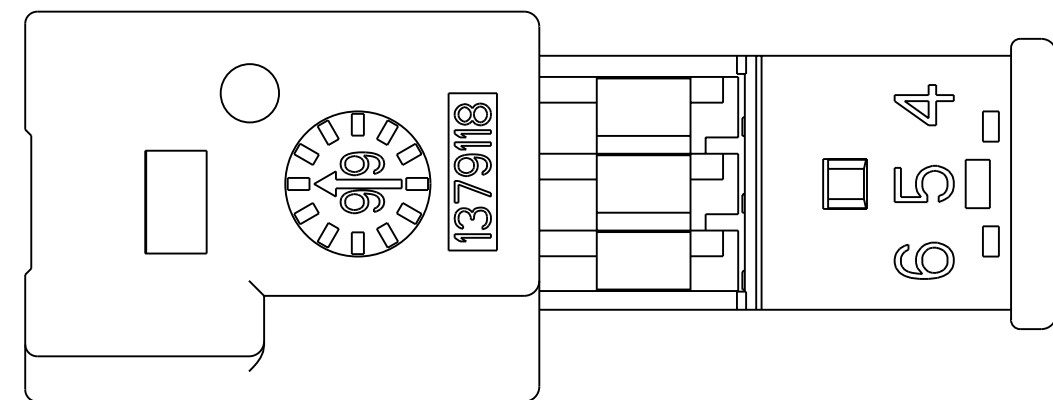
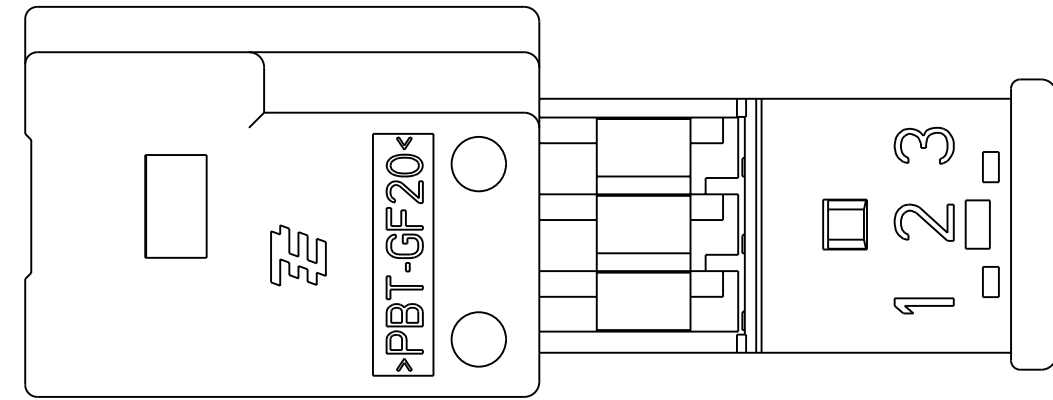
THIS DRAWING IS UNPUBLISHED. / RELEASED FOR PUBLICATION / 2009
 DIFFUSION RESTREINTE / LIBRE A LA DIFFUSION
 © COPYRIGHT 2009 BY TYCO ELECTRONICS CORPORATION. ALL RIGHTS RESERVED. / TOUS DROITS RESERVES

LOC	DIST	REVISIONS					
F	00	P	LTR	DESCRIPTION MODIFICATIONS	DATE	DWN DESS.	APVD APP.
		-		SEE SHEET 1			

VERSION WITHOUT FASTENER AERA
 version sans agrafe



SEE TABLE ON SHEET 1/2 voir tableau feuille 1/2	BROWN marron	1-1379118-4
SEE TABLE ON SHEET 1/2 voir tableau feuille 1/2	GREEN vert	1-1379118-3
SEE TABLE ON SHEET 1/2 voir tableau feuille 1/2	WHITE blanc	1-1379118-2
SEE TABLE ON SHEET 1/2 voir tableau feuille 1/2	BLACK noir	1-1379118-1
KEYING detrompage	COLOR couleur	TE PART NUMBER ref TE



<small>THIS DRAWING IS A CONTROLLED DOCUMENT FOR TYCO ELECTRONICS CORPORATION. IT IS SUBJECT TO CHANGE AND THE CONTROLLING ENGINEERING ORGANIZATION SHOULD BE CONTACTED FOR THE LATEST REVISION. / CE PLAN EST UN DOCUMENT CONTROLÉ PAR TYCO ELECTRONICS. IL EST SUSCEPTIBLE D'ÊTRE REVISÉ. CONTACTER LE SERVICE TECHNIQUE DE TYCO ELECTRONICS POUR OBTENIR LA DERNIÈRE RÉVISION.</small>		DWN / DESSINE 03MAR2009 M. POLIFONTE CHK / VÉRIFIE 03MAR2009 E. CHATELUS APVD / APPROUVE 03MAR2009 X. ROULLIARD		Tyco Electronics France SAS 95300 Pontoise, France	
DIMENSIONS: mm 		TOLERANCES UNLESS OTHERWISE SPECIFIED: DIMENSIONS ±0.2 ANGLES ±5° FINISH / FINITION		NAME / TITRE 6W MQS PIN HOUSING POSITIVE MATE P-LANGUETTE 6 VOIES MQS AVALOIR	
MATERIAL / MATIÈRE PBT-GF20		WEIGHT / MASSE APPROX. 2.8gr		SIZE / FORMAT A2 CAGE CODE 00779 DRAWING NO / No PLAN C-1379118 RESTRICTED TO RESERVE A	
CUSTOMER DRAWING / PLAN CLIENT		UNIFORMITY / ÉCHELLE 3:1 SCALE POUR RÉFÉRENCE		SHEET / FEUILLE 2 OF / DE 2 REV A	

Looking for pricing, stock, or lifecycle information?

Click below to explore more details on WIN SOURCE:

[View 1379118-4 on WIN SOURCE](#)

[TE Connectivity Information](#)

Optimize Your Supply Chain with WIN SOURCE Solutions

- ✓ Global Sourcing Solution
- ✓ Obsolete Management
- ✓ Cost Control Management
- ✓ Shortage Management
- ✓ Alternative Solution
- ✓ Excess Inventory Management