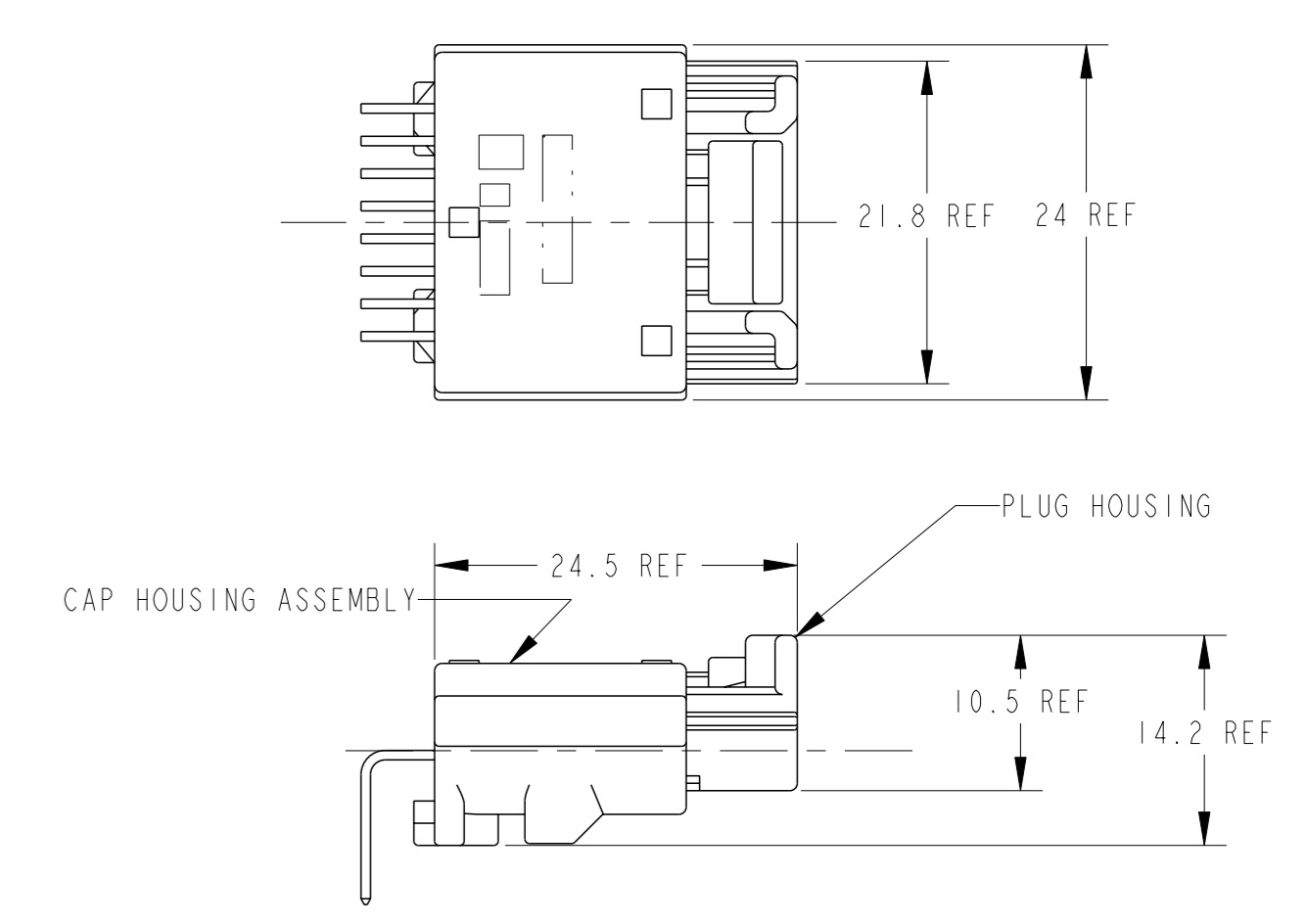
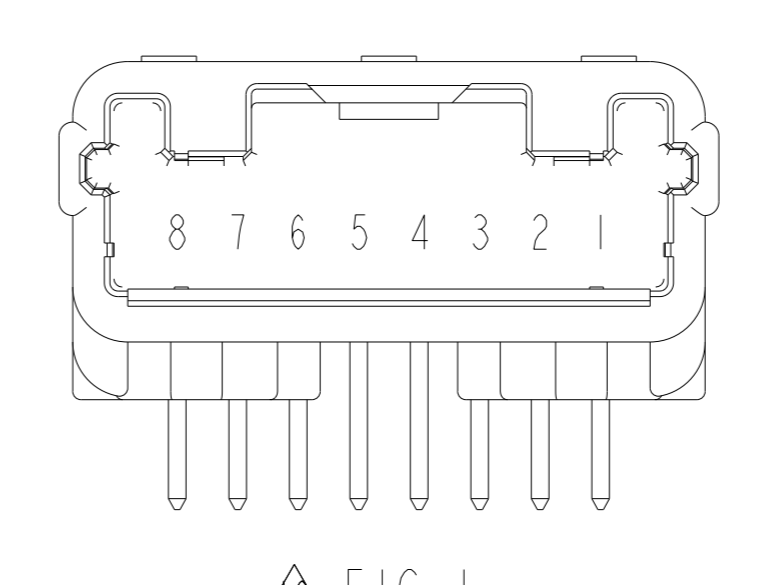
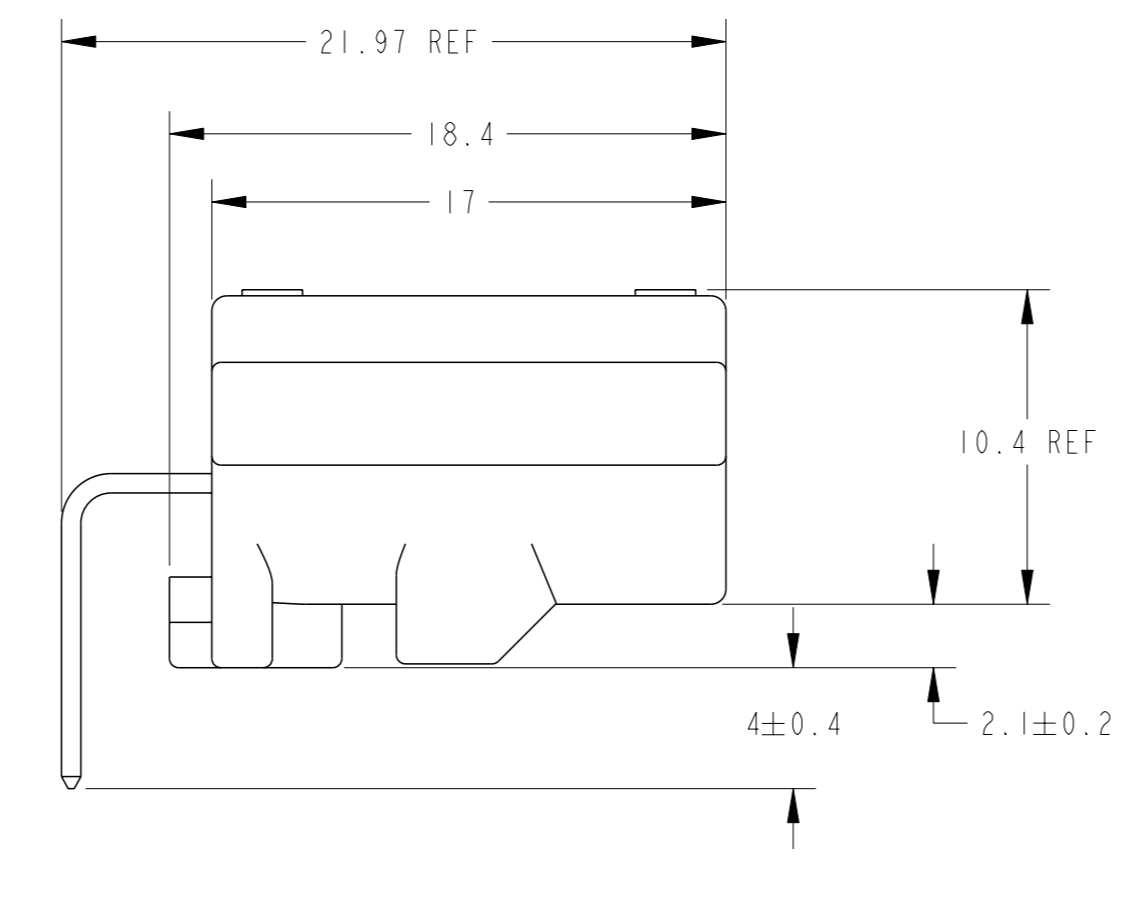
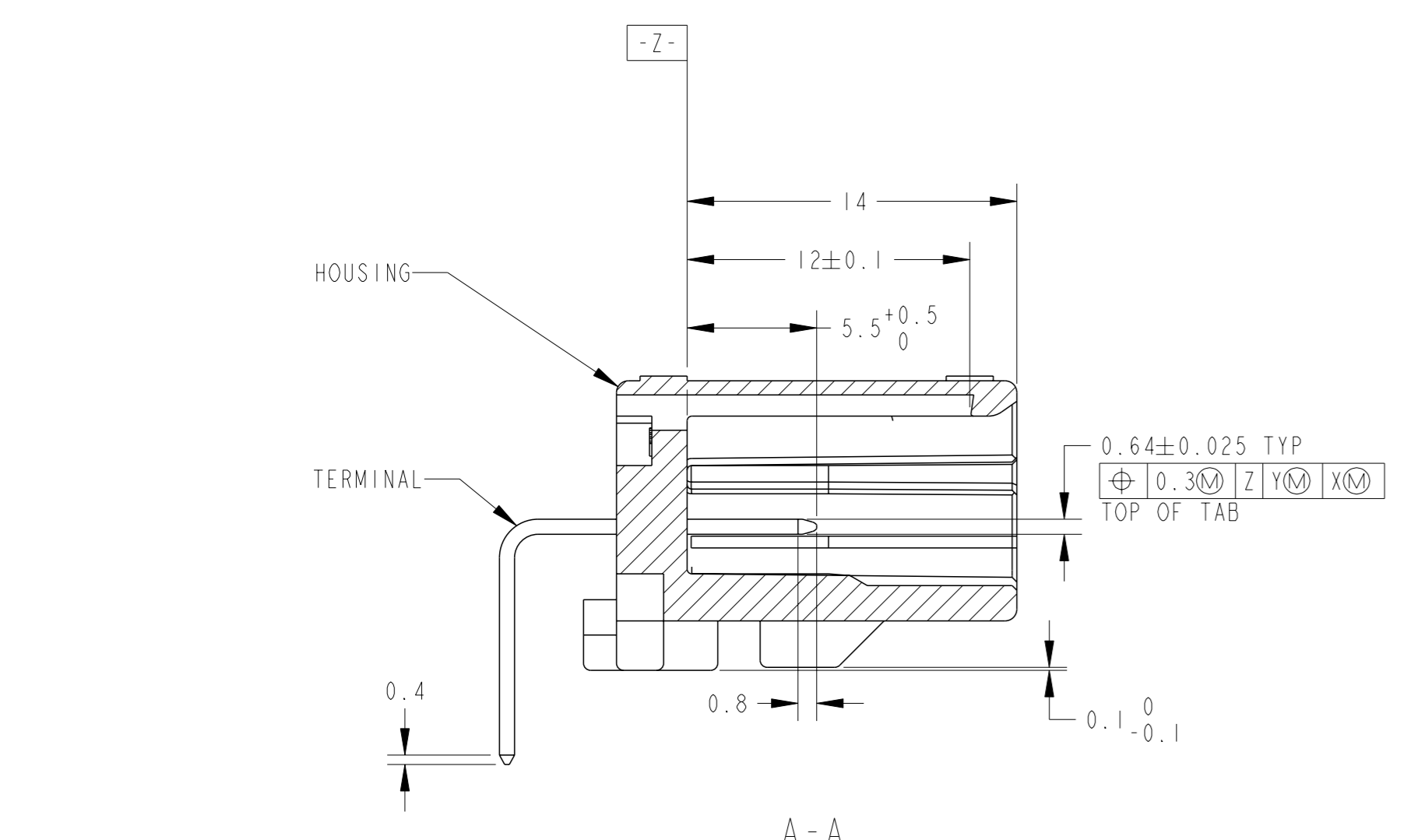
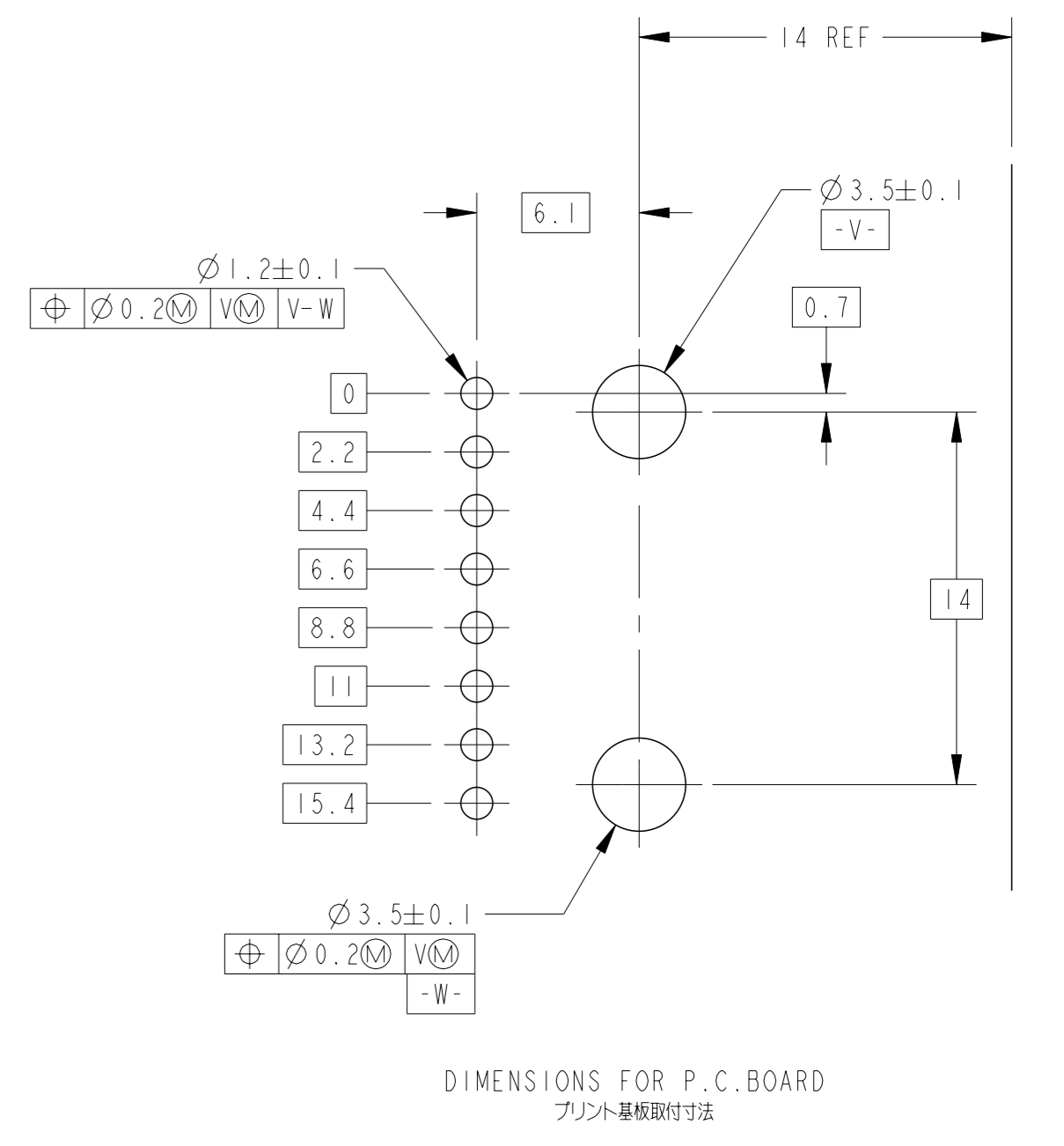
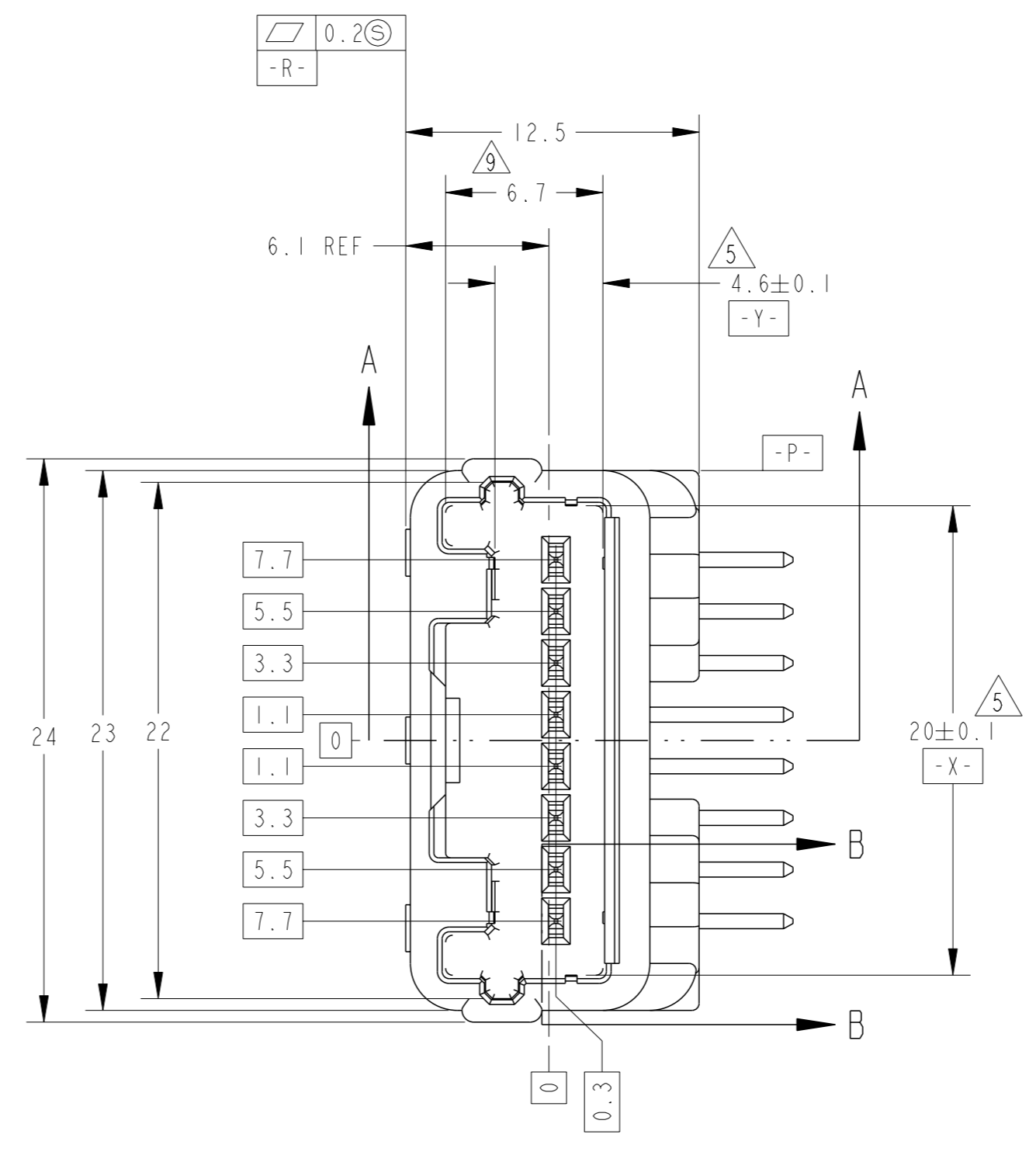
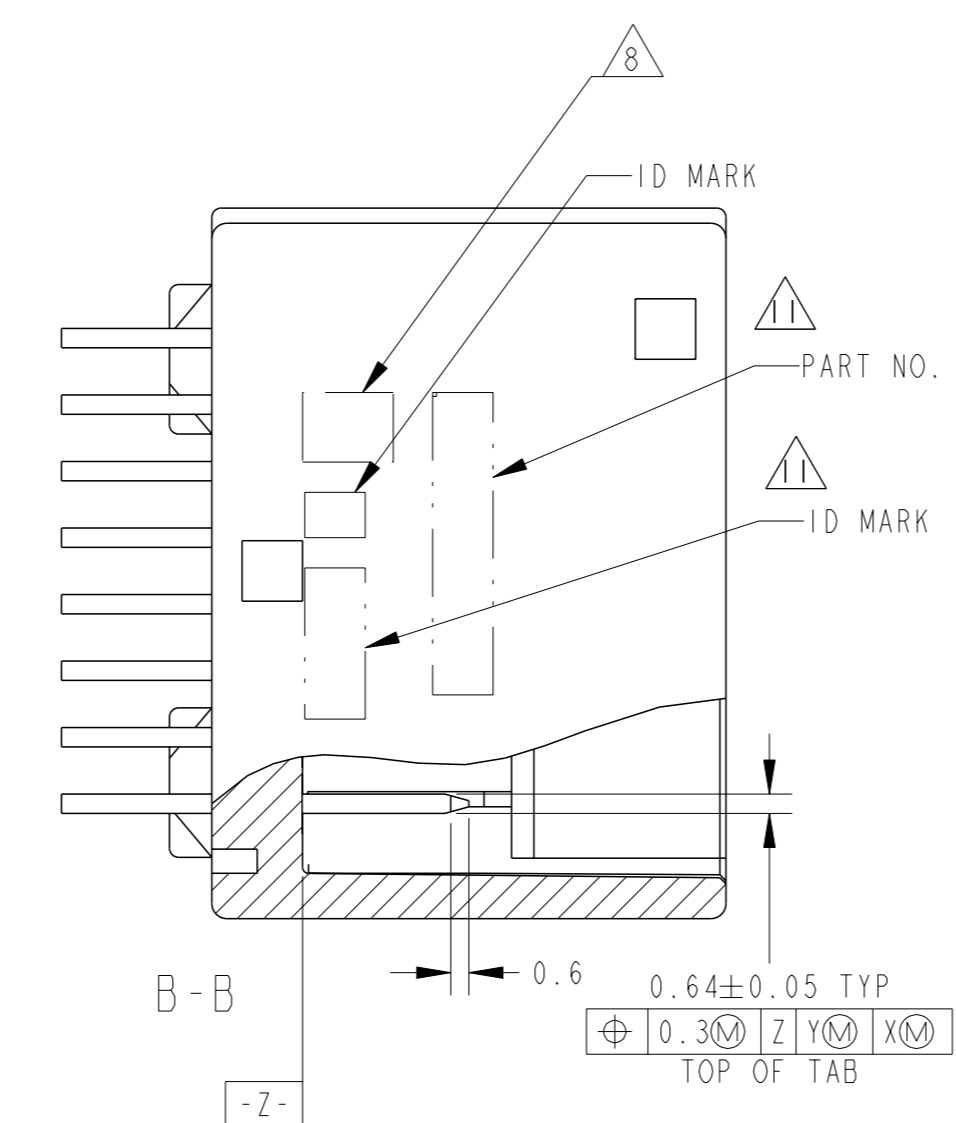
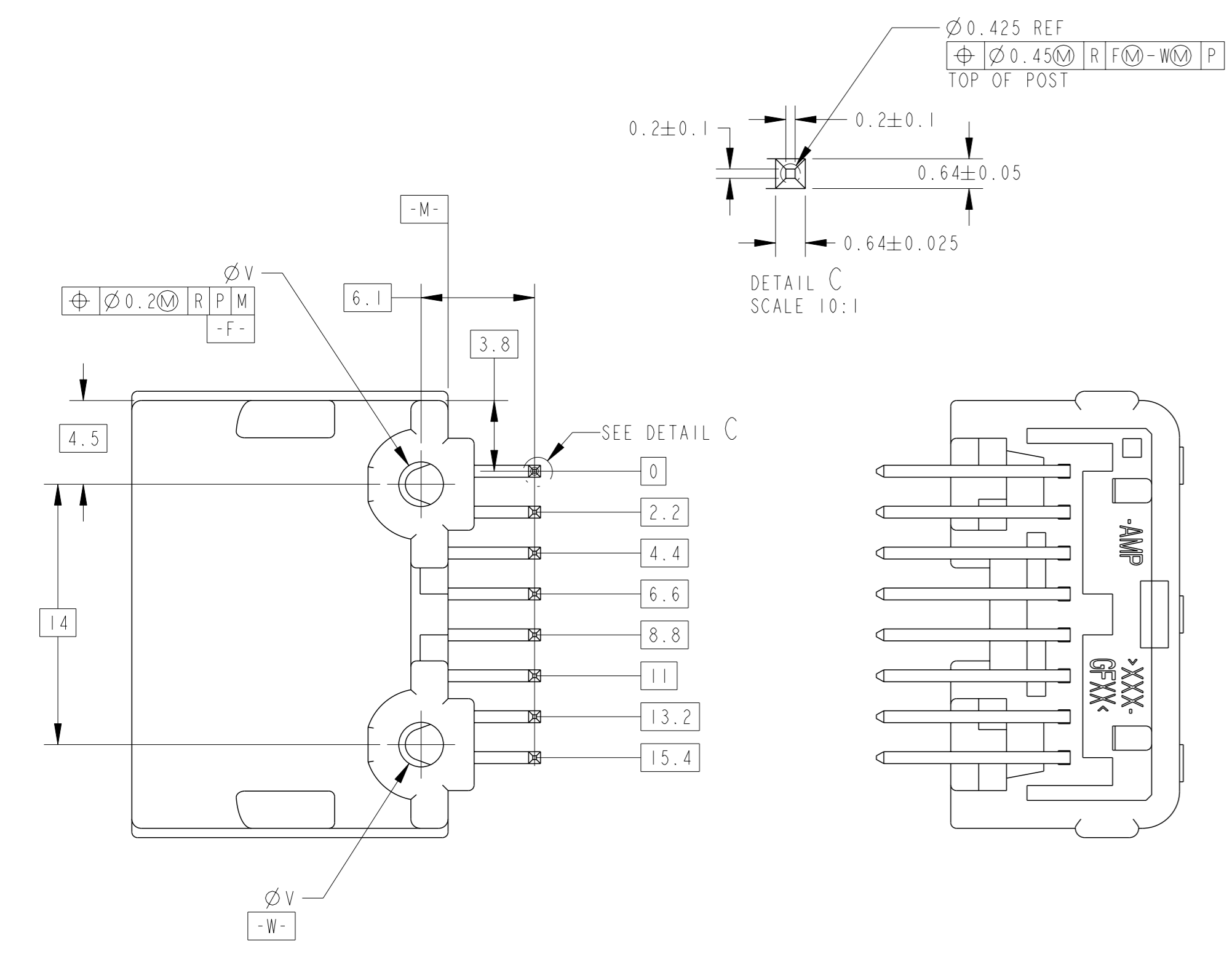


REVISIONS						
REV	DATE	DESCRIPTION	ECN	OWN	APVD	
B1		OBSOLETE -3	ECR-07-024069	170C107	AY	HY
B2		ADDED -9	ECR-09-010571	11MAY09	TS	KB
B3		ADDED 1--0	ECR-20-004298	03APR2020	TH	RR
B4		ADDED 1--1	ECR-21-116711	11OCT2021	TH	RR



1. 嵌合相手(ハウジング)型番 ; TABLE-1
プラグハウジング(P/N : 1376368-1)と支障なく嵌合、離脱できること
 2. 接触取付ねじ ; JIS B1115, B1122タッピングねじ、ねぐせ種
ねじ径3、長さTABLE-2参照
 3. ねじ締め付トルク:0.392N・m REF
但し、管理値は別途規定すること。
 4. 本製品の取扱いについては、取扱説明書NO.411-5965
に従うこと。
- △、-Z- より6mmの位置で測定
△、適用プリント基板:板厚 TABLE-2参照
△、嵌合相手端子構成 ; TABLE-3
△、コンタクト仕上識別記号 ; 表参照
△、-Z- より2mmの位置で測定
△、回路番号; FIG. 1参照
△、PART NUMBER, ID MARKを表示

TABLE-1

POS. 極数	FEMALE HOUSING メスハウジング
	TE P/N
8	1376368-1
	1746875

TABLE-2

THICKNESS OF PCB(mm) プリント基板厚(mm)	1.2	1.6
NOMINAL LENGTH OF SCREW(mm) 固定用ねじ長さ(mm)	5	6

TABLE-3

SIGNAL	FINISH 仕上	POS 極数	RECEPTACLE CONTACT P/N	APPLICABLE WIRE RANGE 適用電線
025	TIN	8	1123343-1	CAVS/CAVUS 0.22~0.5mm ² AVSS/AVSSH-f/AESSX 0.3~0.5mm ²
0.64111			1674311-1	CAVS/CAVUS 0.3~0.5mm ² AVSS/AVSSH-f 0.3~0.5mm ²

6	6	3	3	4	3	1	1	MARKING	WEIGHT(g)	V	OUTER 外装	INNER 内装	SOLDERING SIDE 半田付け部	CONTACT SIDE 接触部	GOLD PLATED CIRCUIT NO 金めっき回路番号	TIN PLATED CIRCUIT NO 鍍めつき回路番号	MATERIAL 材料	COLOR 色	PART NUMBER 型番
△	△	△	△	△	△	△	△				PAPER BOX ダンボール箱	PLASTIC TUBE プラスチックチューブ	SELECTIVE TIN (MATTE)	SELECTIVE TIN (BRIGHT)	-	1,8	SPS GF17	NATURAL	1-1376366-1
△	△	△	△	△	△	△	△				PLASTIC BOX 通し箱	PLASTIC TUBE プラスチックチューブ	SELECTIVE TIN (MATTE)	SELECTIVE TIN (BRIGHT)	-	1,8	SPS GF17	NATURAL	1-1376366-0
△	△	△	△	△	△	△	△				PLASTIC BOX 通し箱	PLASTIC TUBE プラスチックチューブ	SELECTIVE TIN (MATTE)	SELECTIVE TIN (BRIGHT)	-	1~8	SPS GF17	BLACK	1376366-9
△	△	△	△	△	△	△	△				PAPER BOX ダンボール箱	PLASTIC TUBE プラスチックチューブ	SELECTIVE TIN (MATTE)	SELECTIVE TIN (BRIGHT)	-	1~8	SPS GF17	NATURAL	1376366-8
△	△	△	△	△	△	△	△				PAPER BOX ダンボール箱	PLASTIC TUBE プラスチックチューブ	SELECTIVE TIN (MATTE)	SELECTIVE TIN × 4 SELECTIVE GOLD × 4	3,4,5,6	1,2,7,8	PBT GF15	NATURAL	1376366-6
△	△	△	△	△	△	△	△				PLASTIC BOX 通し箱	PLASTIC TUBE プラスチックチューブ	SELECTIVE TIN (MATTE)	SELECTIVE TIN (BRIGHT)	-	1~8	SPS GF17	NATURAL	1376366-5
△	△	△	△	△	△	△	△				PAPER BOX ダンボール箱	PLASTIC TUBE プラスチックチューブ	PRE-TINED X 8		-	1~8	PBT GF15	NATURAL	1376366-2
△	△	△	△	△	△	△	△				PLASTIC BOX 通し箱	PLASTIC TUBE プラスチックチューブ	PRE-TINED X 8		-	1~8	PBT GF15	NATURAL	1376366-1

1. PLUG HOUSING TO BE MATED ; SEE TABLE-1
TO BE MATED SMOOTHLY WITH THE PLUG HOUSING
P/N ; 1376368-1.
 2. RECOMMENDED SCREW: PAN-HEADED, TYPE-2 TAPPING SCREW
OF 3DIA, LENGTH: SEE TABLE-2 (JIS B1115, B1122).
 3. FASTENING TORQUE FOR SCREW: 0.392N・m REF
BUT, TORQUE FOR OPERATION SHOULD BE PROVIDED RESPECTIVELY.
 4. AS FOR THE HANDLING OF THIS PRODUCT,
FOLLOW THE INSTRUCTION SHEET NO.411-5965
- △、MEASURED AT 6mm FROM -Z-
△、APPLICABLE PRINTED CIRCUIT BOARD: THICKNESS SEE TABLE-2
△、DETAILS OF TERMINALS TO BE MATED ; SEE TABLE-3.
△、IDENTIFICATION MARK FOR THE CONTACT FINISH ; SEE TABLE
△、MEASURED AT 2mm FROM -Z-
△、CIRCUIT NUMBER: SEE FIG.1
△、PART NUMBER, ID MARK INDICATED

THIS DRAWING IS A CONTROLLED DOCUMENT.

DIMENSIONS: 単位: mm

TOLERANCES UNLESS OTHERWISE SPECIFIED: 公差: mm

0-PLC ±0.3
1-PLC ±0.5
2-PLC ±0.13
3-PLC ±0.13
4-PLC ±0.001

ANGLES: 45° 00'

FINISH: 見本参照

MATERIAL: CONTACT: BRASS HOUSING: SEE TABLE

OWN: N. YASUDA 28AUG00
CHK: N. SAI 28AUG00
APVD: N. SAI 28AUG00

PRODUCT SPEC: 108-5664
APPLICATION SPEC: 114-5250

SIZE: 00779
CAGE CODE: 1376366
DRAWING NO: 1376366

RESTRICTED TO: 4:1 SHEET 1 OF 1 REV B4

Looking for pricing, stock, or lifecycle information?

Click below to explore more details on WIN SOURCE:

 [View 1376366-8 on WIN SOURCE](#)

 [TE Connectivity](#) Information

Optimize Your Supply Chain with WIN SOURCE Solutions

-  Global Sourcing Solution
-  Obsolete Management
-  Cost Control Management
-  Shortage Management
-  Alternative Solution
-  Excess Inventory Management