



**THE DATASHEET OF  
S7111-42R**



# Customer Information Sheet

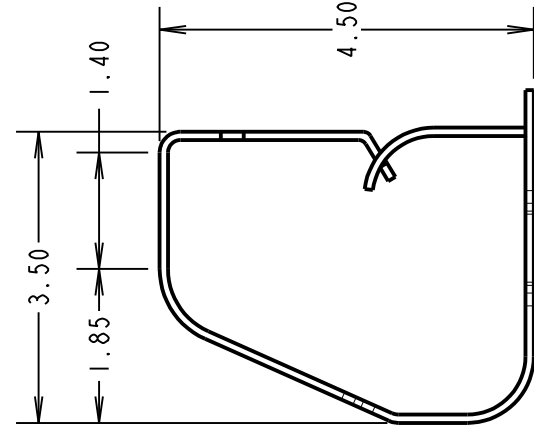
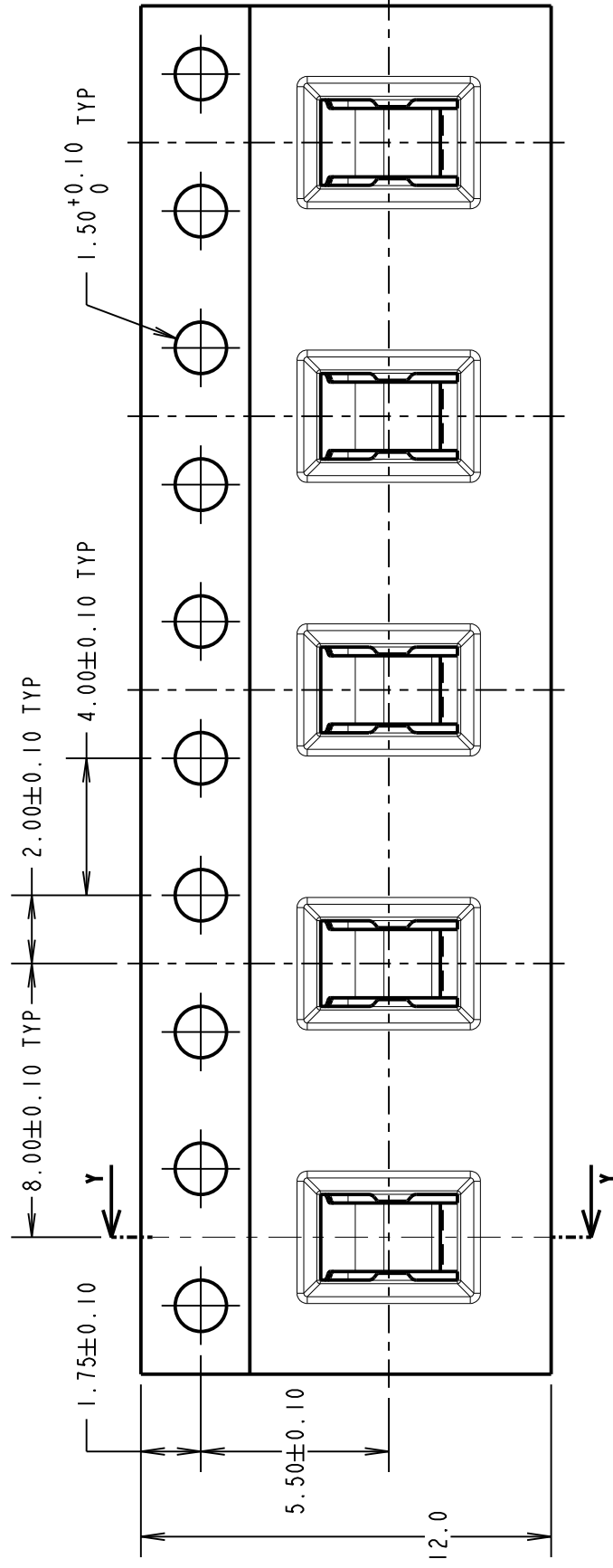
DRAWING No.: S7111-42R

SHEET 2 OF 2

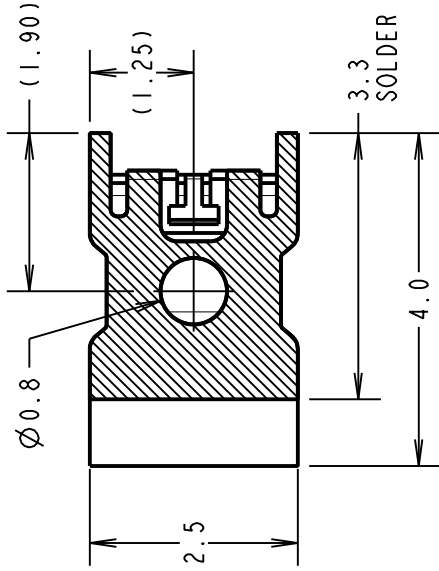
IF IN DOUBT - ASK

©

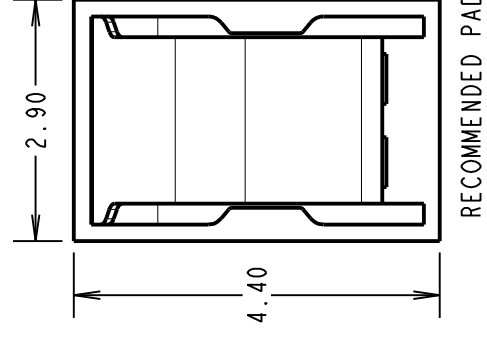
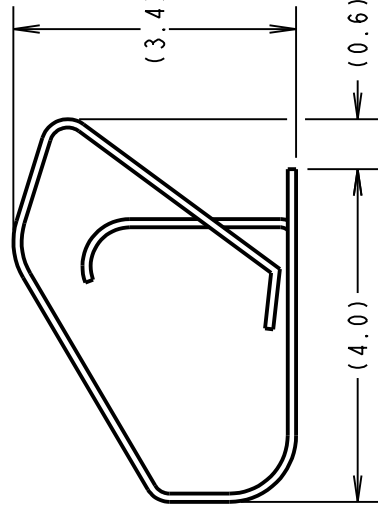
NOT TO SCALE



COMPONENT DETAILS



COMPONENT AT MINIMUM RECOMMENDED HEIGHT



COMPONENT SPECIFICATION:

MATERIAL = TITANIUM COPPER ALLOY,

0.10mm THICK

FINISH = 0.7µm-1.3µm NICKEL, GOLD FLASH

ON CONTACT AND 2.54µm MIN 100% TIN

ON FOOT AREA.

RECOMMENDED WORKING HEIGHT = 3.80mm / MIN FORCE = 1.2N

RECOMMENDED MINIMUM WORKING HEIGHT = 3.40mm

ELECTRICAL:

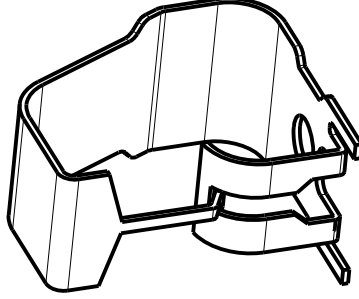
CURRENT RATING = 6A

MECHANICAL:

DURABILITY = 2000 CYCLES

ENVIRONMENTAL:

OPERATING TEMPERATURE = -55°C TO +125°C



SCALE 9

## HARWIN

www.harwin.com  
technical@harwin.com

THIS DRAWING AND ANY INFORMATION OR DESCRIPTIVE MATTER SET OUT HEREON ARE CONFIDENTIAL AND COPYRIGHT PROPERTY OF THE HARWIN GROUP AND MUST NOT BE DISCLOSED, LOANED, COPIED OR USED FOR MANUFACTURING, TENDERING OR FOR ANY OTHER PURPOSE WITHOUT THEIR WRITTEN PERMISSION.

TOLERANCES

X.X = ±0.50mm  
X.XX = ±0.20mm  
X.XXX = ±0.01mm

ANGLES = ±5°

UNLESS STATED

MATER

FINIS

S/AR

NOTE:  
1. C  
2. A

## Looking for pricing, stock, or lifecycle information?

Click below to explore more details on WIN SOURCE:

[View S7111-42R on WIN SOURCE](#)

[Harwin Inc. Information](#)

## Optimize Your Supply Chain with WIN SOURCE Solutions

- ✓ Global Sourcing Solution
- ✓ Obsolete Management
- ✓ Cost Control Management
- ✓ Shortage Management
- ✓ Alternative Solution
- ✓ Excess Inventory Management