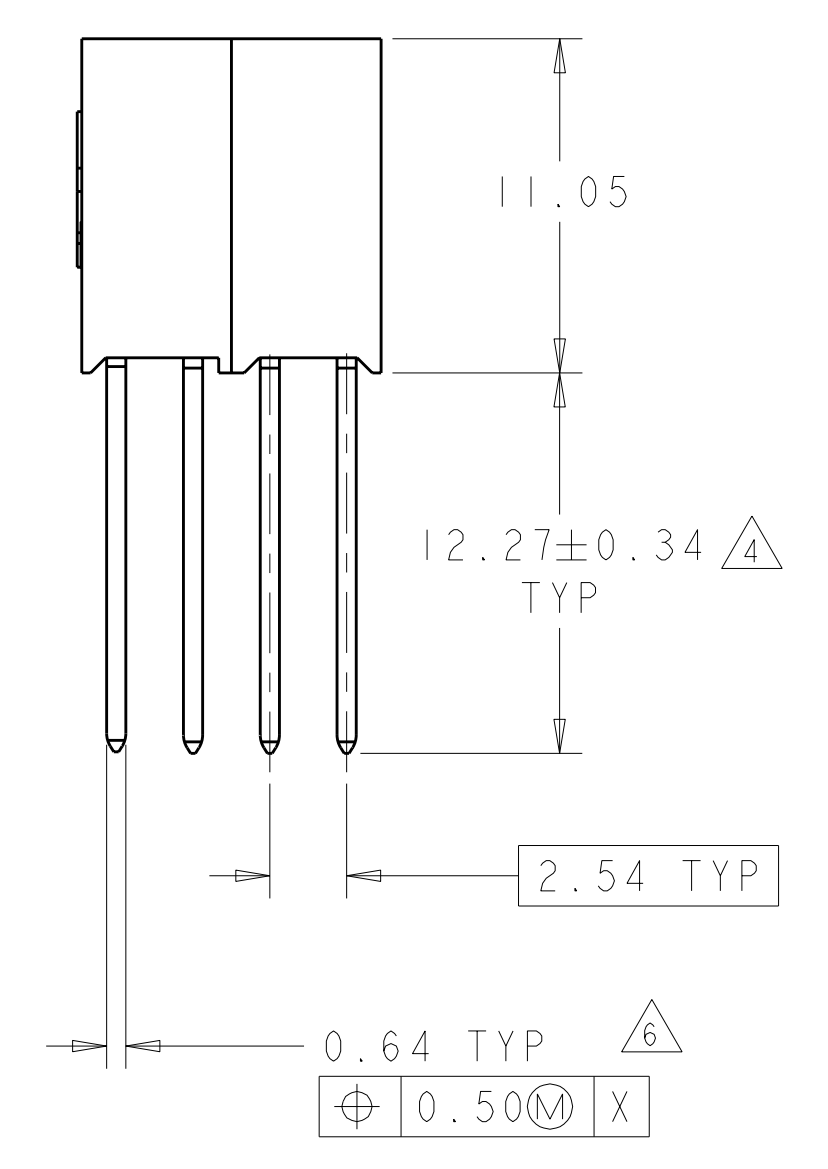
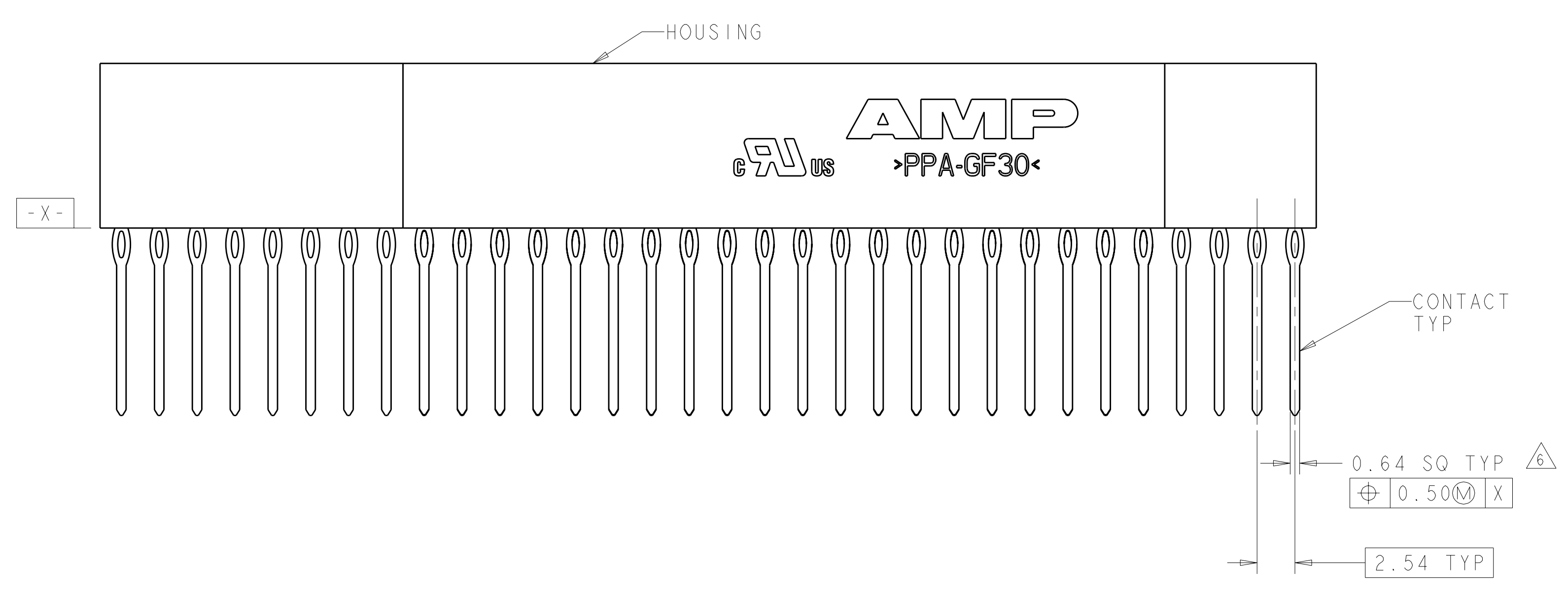
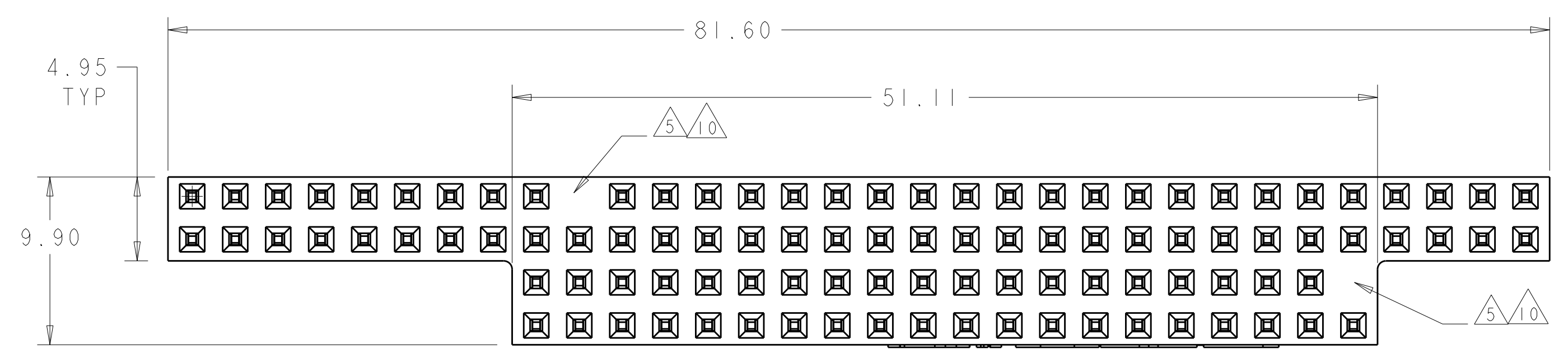




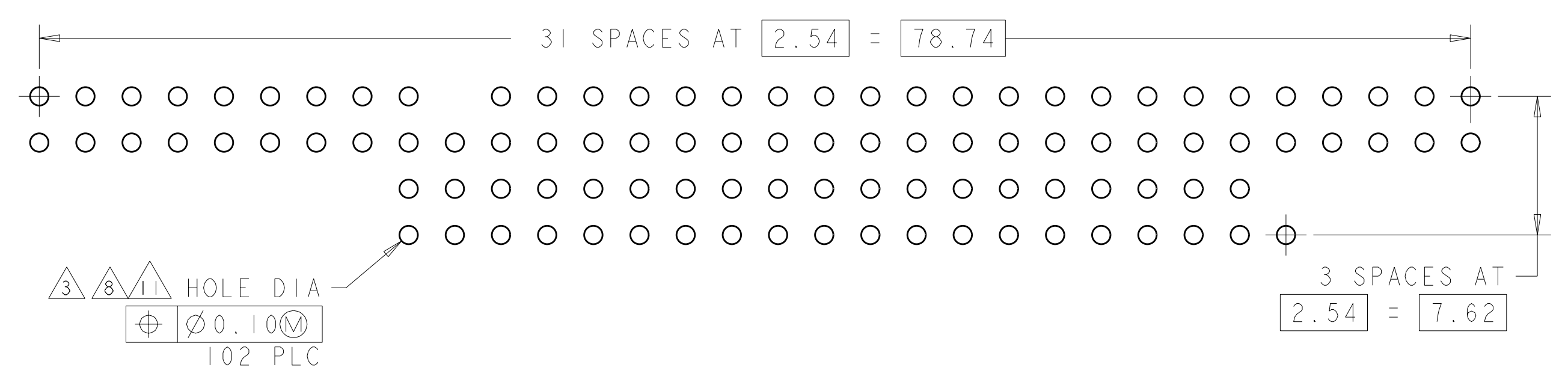
**THE DATASHEET OF**  
**1375795-3**



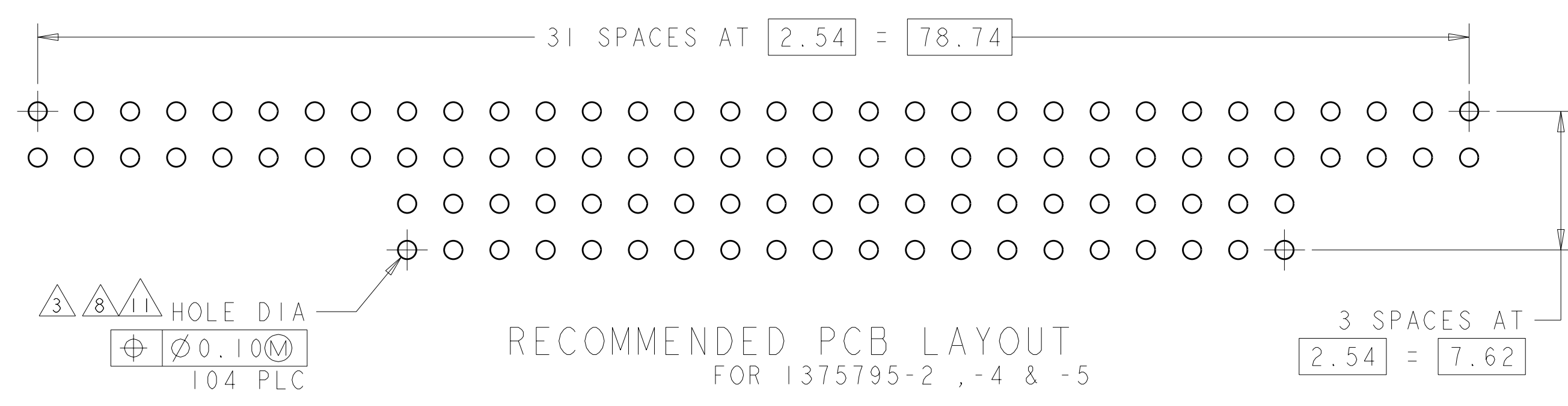
LOC	DIST	REV	DATE	BY	CHKD	APVD
AD	00	H1	24MAR2011	RK	HMR	



- △ HOUSING: HIGH TEMPERATURE, GLASS FILLED NYLON, COLOR: BLACK. CONTACTS: PHOSPHOR BRONZE
- △ CONTACTS: 0.00038 MIN GOLD ON MATING RECEPTACLE END, 0.00013 MIN GOLD ON REMAINDER, ALL OVER 0.00127 NICKEL.
- △ PCB HOLE RECOMMENDATIONS:
  - A. DRILL HOLE DIAMETER TO BE 1.15±0.02.
  - B. PLATING TO BE 0.005 MIN TIN-LEAD OVER 0.025-0.075 COPPER.
  - C. RECOMMENDED FINISH HOLE SIZE IS 1.03±0.08.
- △ DIMENSION AFTER SEATING TO PCB.
- △ NO CONTACT IN THIS POSITION, FOR PART NUMBER 1375795-1, -3, & -5 ONLY
- △ POSITION TOLERANCE APPLIES AFTER CONNECTOR IS PRESSED ONTO PC BOARD.
- △ CONTACTS: 0.00038 MIN GOLD ON MATING RECEPTACLE END, 0.00250-0.00508 MATTE TIN ON COMPLIANT AREA, 0.00013 MIN GOLD ON REMAINDER, ALL OVER 0.00127 NICKEL.
- △ PCB HOLE RECOMMENDATIONS FOR SILVER IMMERSION PLATING:
  - A. DRILL HOLE DIAMETER TO BE 1.20±0.02.
  - B. PLATING TO BE 0.0001524-0.0004064 SILVER OVER 0.0508±0.0254 COPPER.
  - C. RECOMMENDED FINISH HOLE SIZE IS 1.10-1.19.
- △ TO BE USED ON SILVER IMMERSION PLATED PCB'S (NOTE 8).
- △ HOUSING CONTACT CAVITIES MOLDED SHUT FOR PART NUMBERS 1375795-1 ) & -3 ONLY
- △ PCB HOLE RECOMMENDATIONS FOR ENIG PLATING:
  - A. DRILL HOLE DIAMETER TO BE 1.20±0.02.
  - B. PLATING TO BE 0.000051-0.000127 GOLD OVER 0.00305-0.00610 NICKEL ALL OVER 0.0508±0.0254 COPPER.
  - C. RECOMMENDED FINISH HOLE SIZE IS 1.10-1.19.
- △ TO BE USED ON STANDARD PCB (NOTE 3) OR ENIG PLATED PCB (NOTE 11).



RECOMMENDED PCB LAYOUT FOR 1375795-1 & -3



RECOMMENDED PCB LAYOUT FOR 1375795-2, -4 & -5

REV	DESCRIPTION	DATE	BY	CHKD	APVD
2	NO				
7	NO				
7	YES				
2	NO				
2	YES				

THIS DRAWING IS A CONTROLLED DOCUMENT.		DWG: W.G. LENKER 02JUN2000		REV: L. BREKOSKY 15JAN2001	
DIMENSIONS: mm		TOLERANCES UNLESS OTHERWISE SPECIFIED:		NAME: ASSEMBLY, PC/104, STACKTHROUGH CONTACTS, PRESS FIT	
9 PLC ±		108-1956		SIZE: CAGE CODE: DRAWING NO: A1100779C=1375795	
3 PLC ±0.13		114-13021		RESTRICTED TO: H1	
5 PLC ±		WEIGHT: -		SCALE: 3:1 SHEET 1 OF 1	
4 PLC ±		CUSTOMER DRAWING		REV: H1	
ANGLES ±					
FINISH					

## Looking for pricing, stock, or lifecycle information?

Click below to explore more details on WIN SOURCE:

 [View 1375795-3 on WIN SOURCE](#)

 [TE Connectivity](#) Information

## Optimize Your Supply Chain with WIN SOURCE Solutions

-  Global Sourcing Solution
-  Obsolete Management
-  Cost Control Management
-  Shortage Management
-  Alternative Solution
-  Excess Inventory Management