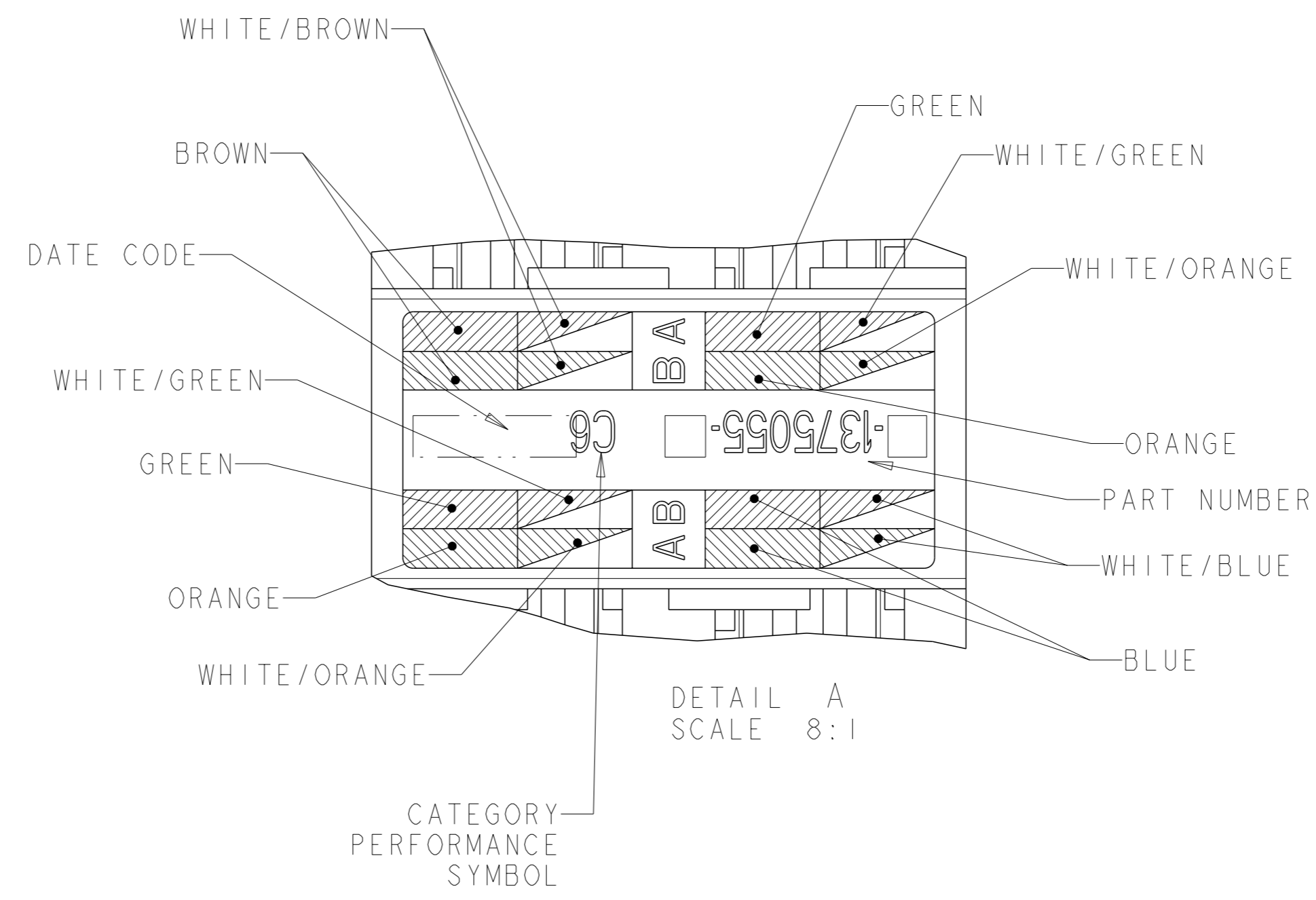
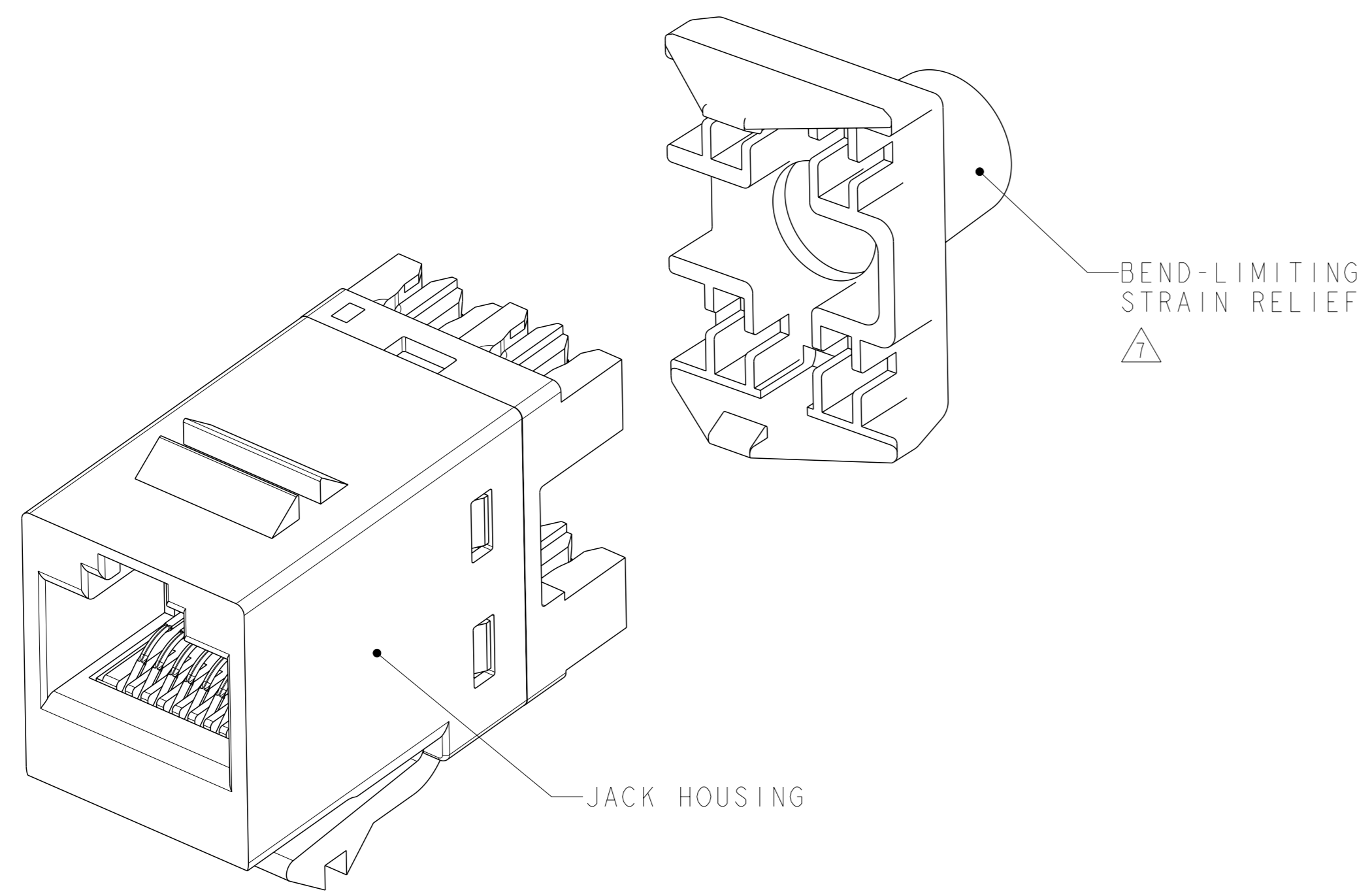




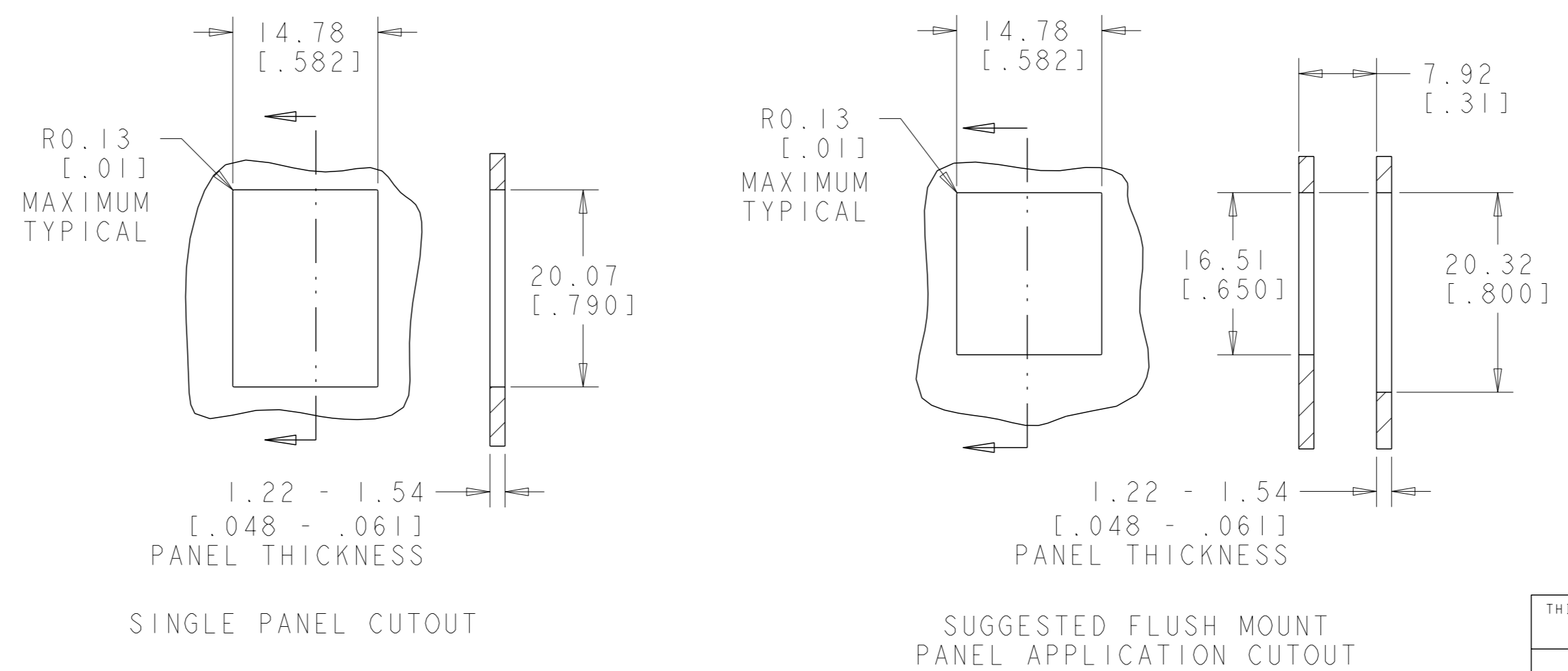
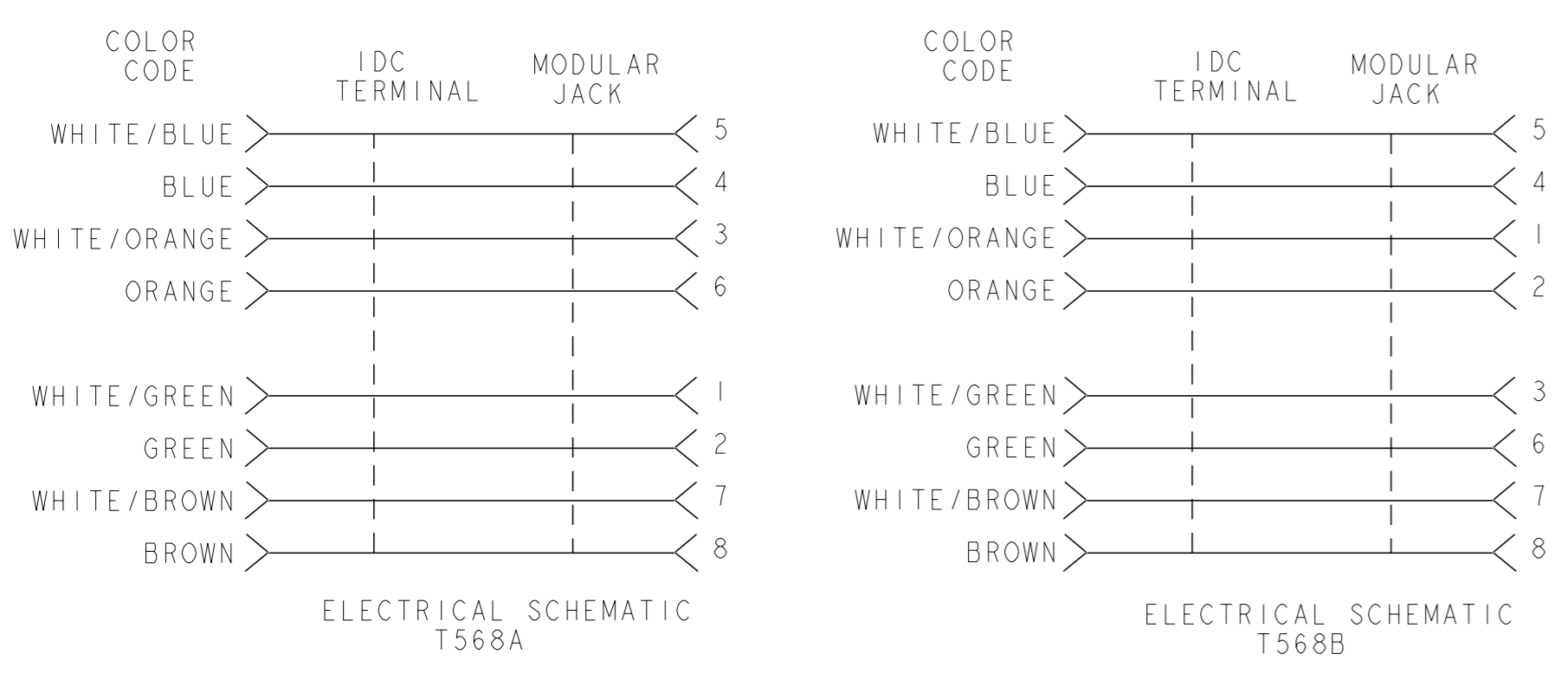
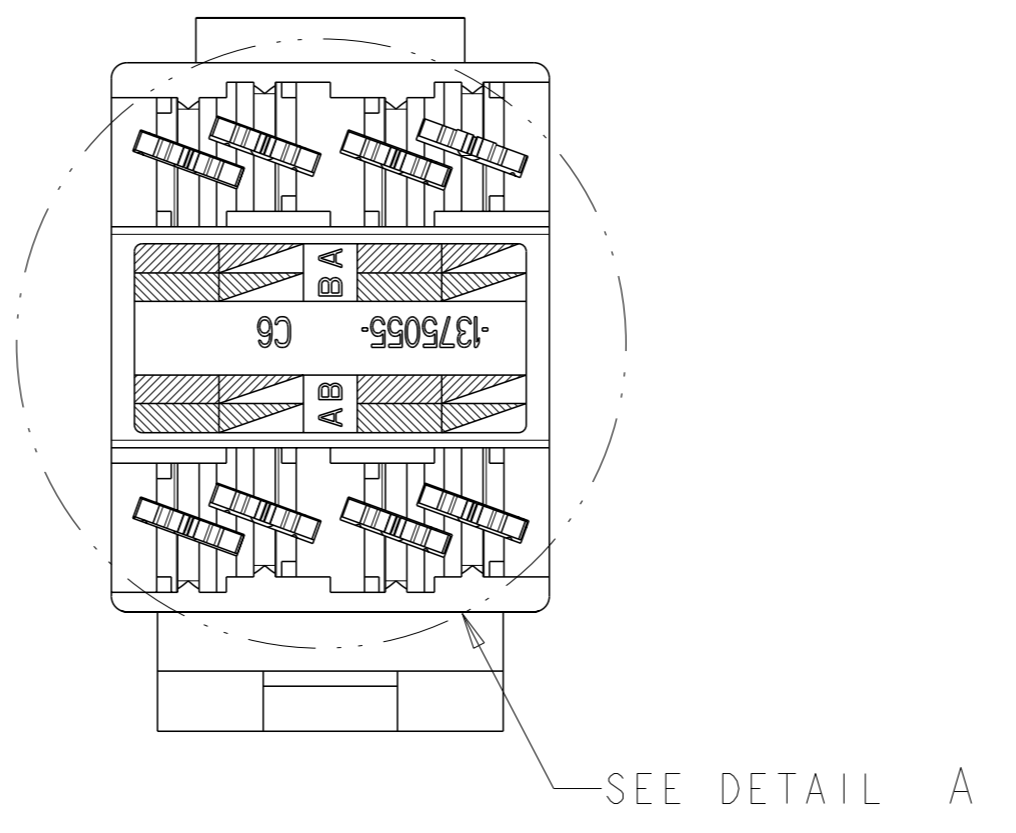
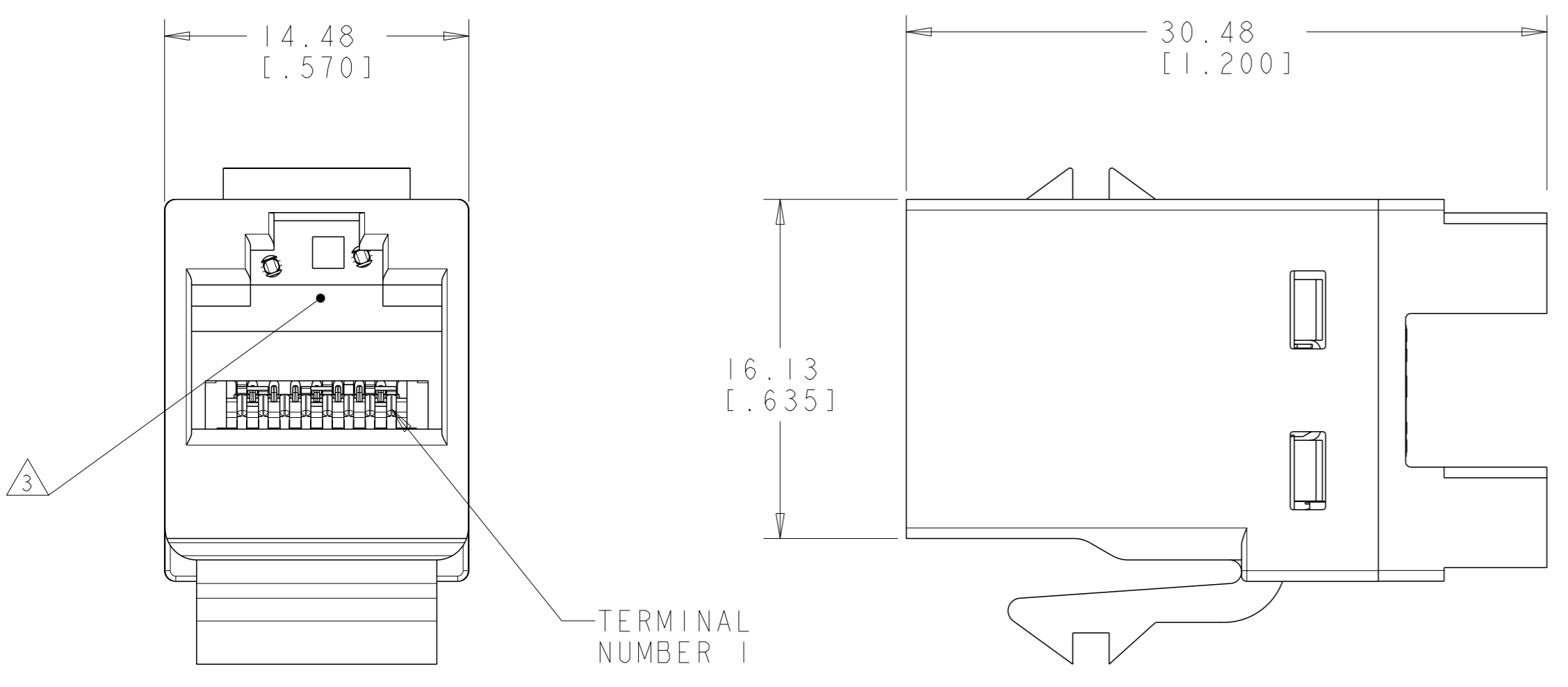
THE DATASHEET OF
1375055-3



REVISIONS				
#	DATE	DESCRIPTION	OWN	APPROV
1	01AUG2016	REV: 40032530MCO	GG	SJ



- 1. MATERIAL: JACK HOUSING - POLYCARBONATE, 94V-0 RATED. 110 BLOCK AND BEND LIMITING STRAIN RELIEF - POLYCARBONATE. ARRAY TRAY - PBT POLYESTER. JACK CONTACTS ARRAY - BERYLLIUM COPPER, PLATED WITH 1.27µm [.000050] MINIMUM THICK GOLD IN LOCALIZED AREA AND 3.81µm [.000150] MINIMUM THICK MATTE TIN IN BOARD INTERFACE AREA OVER 1.27µm [.000050] MINIMUM THICK NICKEL UNDERPLATE. IDC TERMINALS - PHOSPHOROUS BRONZE, PLATED WITH 3.81µm [.00015] MINIMUM THICK MATTE TIN OVER 1.27µm [.00005] MINIMUM THICK NICKEL UNDERPLATE.
- 2. SL 110 JACK WILL TERMINATE 22-24 AWG SOLID AND 24-26 AWG STRANDED CONDUCTORS, 1.27[.050] MAXIMUM INSULATION DIAMETER. JACK WILL ACCEPT CONDUCTORS UP TO 1.45 [.057] BUT REQUIRE THE USE OF A STRAIN RELIEF.
- 3. CAVITY CONFORMS TO FCC RULES AND REGULATIONS) PART 68 SUBPART F REQUIREMENTS.
- 4. MOUNTING PANEL THICKNESS 1.47 - 1.60 [.058 - .063].
- 5. THESE TWO SUGGESTED CUTOUT OPENINGS ARE USED IN TANDEM WITH DUAL FRONT AND BACK CUTOUTS.
- 6. ONE MODULAR JACK ASSEMBLY PER POLYBAG.
- 7. USE IS OPTIONAL.
- 8. REFER TO 408-8858 FOR TERMINATION INSTRUCTIONS USING SL SERIES TOOL TERMINATION. REFER TO 408-8417 FOR TERMINATION INSTRUCTIONS USING 110 PUNCH DOWN TOOL.



ALPINE WHITE	I-1375055-3
ELECTRIC IVORY	I-1375055-1
VIOLET	I-1375055-0
GREEN	I375055-9
YELLOW	I375055-8
RED	I375055-7
BLUE	I375055-6
ORANGE	I375055-5
NEMA GRAY	I375055-4
WHITE	I375055-3
BLACK	I375055-2
LIGHT ALMOND	I375055-1
PACKAGE HOUSING COLOR	PART NUMBER

THIS DRAWING IS A CONTROLLED DOCUMENT. OWN: T. PITTS 18OCT2001. CHK: L. SMITH 13MAR2001. APV: B. TRIPPE 13MAR2001. NAME: ASSEMBLY, SL 110 JACK, CAT 6. PRODUCT SPEC: 108-1990-3. APPLICATION SPEC: 108-1990-3. DIMENSIONS: MM[inches]. TOLERANCES UNLESS OTHERWISE SPECIFIED: 0 PLC ±, 1 PLC ±, 2 PLC ±, 3 PLC ±, 4 PLC ±. MATERIAL: -. FINISH: -. WEIGHT: -. CUSTOMER DRAWING. SCALE: 6:1. SHEET: 1 OF 1. REV: N.

COMMSCOPE, INC.

Looking for pricing, stock, or lifecycle information?

Click below to explore more details on WIN SOURCE:

 [View 1375055-3 on WIN SOURCE](#)

 [TE Connectivity](#) Information

Optimize Your Supply Chain with WIN SOURCE Solutions

-  Global Sourcing Solution
-  Obsolete Management
-  Cost Control Management
-  Shortage Management
-  Alternative Solution
-  Excess Inventory Management