



**THE DATASHEET OF**  
**140814-1**



140814-1 ✓ ACTIVE

FASTON | FASTON 250

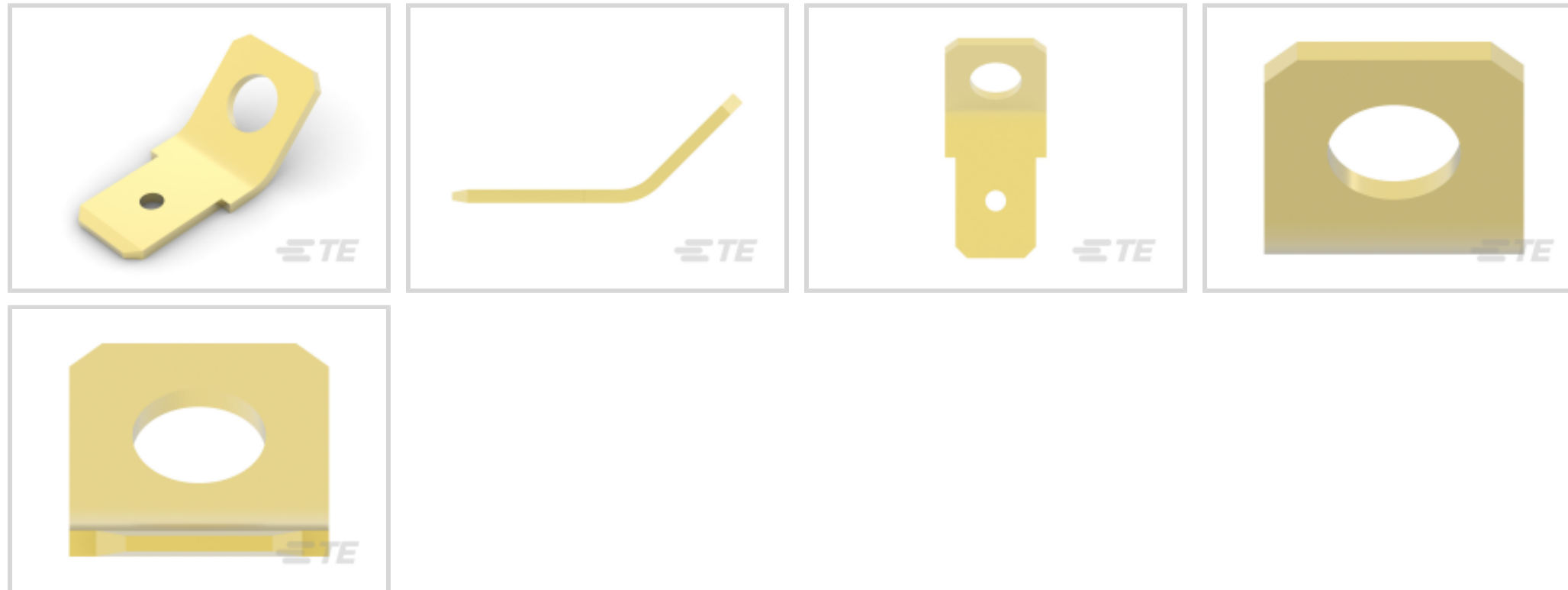
TE Internal #: 140814-1

Tab, Mating Tab Width 6.35 mm [.25 in], PCB Hole Diameter 4.1 mm [.16 – .16 in], Through Hole - Screw, Unplated Plating, FASTON 250, PCB Terminals

[View on TE.com >](#)



Terminals & Splices > PCB Terminals



PCB Terminal Type: **Tab**

Mating Tab Width: **6.35 mm [.25 in]**

Mating Tab Thickness: **.81 mm [.032 in]**

PCB Hole Diameter: **4.1 mm [.16 – .16 in]**

Termination Method to PCB: **Through Hole - Screw**

## Features

### Product Type Features

Terminal Features	Stud Hole
-------------------	-----------

### Contact Features

PCB Terminal Type	Tab
Mating Tab Width	6.35 mm [.25 in]
Mating Tab Thickness	.81 mm [.032 in]
Terminal Plating Material	Unplated
Contact Underplating Material	Brass
Terminal Size	6.35
Terminal Orientation	45 Bend

### Termination Features

Termination Method to PCB	Through Hole - Screw
Product Terminates To	Printed Circuit Board

### Dimensions

Terminal Material Thickness	.81 mm [.032 in]
-----------------------------	------------------



Stud Diameter	4.1 mm[.161 in]
---------------	-----------------

PCB Hole Diameter	4.1 mm[.16 – .16 in]
-------------------	----------------------

### Usage Conditions

Insulation Option	Uninsulated
-------------------	-------------

Operating Temperature Range	-30 – 110 °C[-22 – 230 °F]
-----------------------------	----------------------------

### Packaging Features

Packaging Quantity	1000
--------------------	------

Packaging Method	Box
------------------	-----

### Product Compliance

[For compliance documentation, visit the product page on TE.com>](#)

EU RoHS Directive 2011/65/EU	Compliant
------------------------------	-----------

EU ELV Directive 2000/53/EC	Compliant
-----------------------------	-----------

China RoHS 2 Directive MIIT Order No 32, 2016	No Restricted Materials Above Threshold
---	---

EU REACH Regulation (EC) No. 1907/2006	Current ECHA Candidate List: JUNE 2024 (241) Candidate List Declared Against: JUNE 2024 (241) Does not contain REACH SVHC
--	---

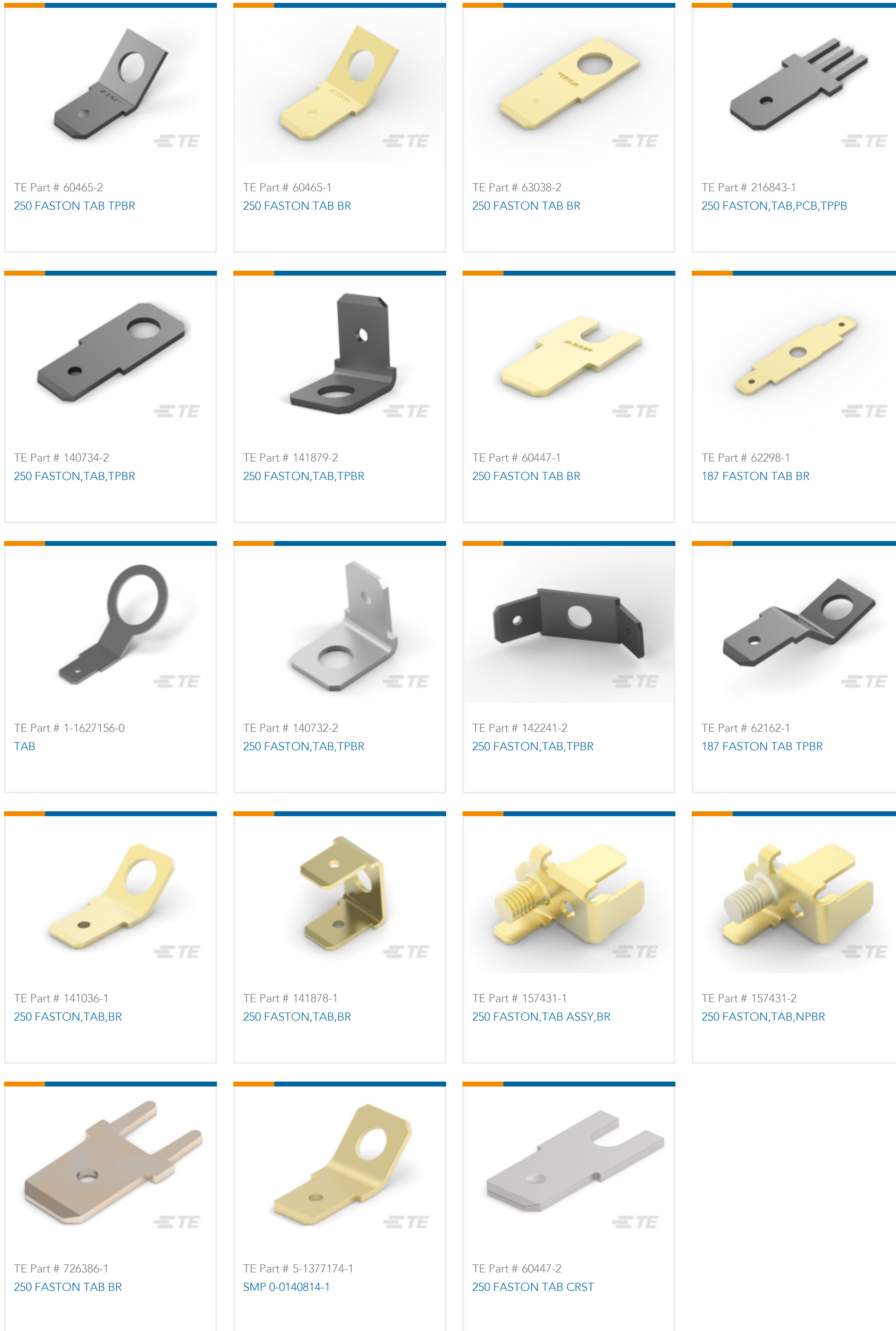
Halogen Content	Low Halogen - Br, Cl, F, I < 900 ppm per homogenous material. Also BFR/CFR/PVC Free
-----------------	---

Solder Process Capability	Not applicable for solder process capability
---------------------------	--

#### Product Compliance Disclaimer

This information is provided based on reasonable inquiry of our suppliers and represents our current actual knowledge based on the information they provided. This information is subject to change. The part numbers that TE has identified as EU RoHS compliant have a maximum concentration of 0.1% by weight in homogenous materials for lead, hexavalent chromium, mercury, PBB, PBDE, DBP, BBP, DEHP, DIBP, and 0.01% for cadmium, or qualify for an exemption to these limits as defined in the Annexes of Directive 2011/65/EU (RoHS2). Finished electrical and electronic equipment products will be CE marked as required by Directive 2011/65/EU. Components may not be CE marked. Additionally, the part numbers that TE has identified as EU ELV compliant have a maximum concentration of 0.1% by weight in homogenous materials for lead, hexavalent chromium, and mercury, and 0.01% for cadmium, or qualify for an exemption to these limits as defined in the Annexes of Directive 2000/53/EC (ELV). Regarding the REACH Regulation, the information TE provides on SVHC in articles for this part number is based on the latest European Chemicals Agency (ECHA) 'Guidance on requirements for substances in articles' posted at this URL: <https://echa.europa.eu/guidance-documents/guidance-on-reach>

### Compatible Parts



Also in the Series | **FASTON 250**



Compression Connectors(4)



Crimp Terminal Housings(132)



Insertion & Extraction Tools(6)



Magnet Wire Terminals(1)



PCB Terminals(134)

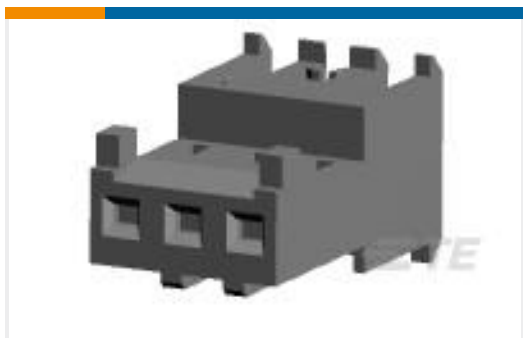


Quick Disconnects(426)



Splices(4)

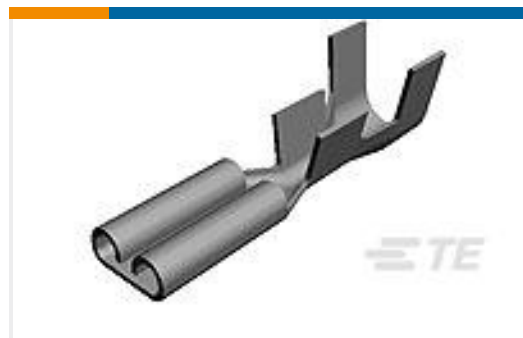
### Customers Also Bought



TE Part #3-644564-3  
03P MTA100 CONN ASSY F/T 26AWG



TE Part #3-1879463-2  
RL73H 2E R20 1% 1K RL



TE Part #150545-2  
110 MINI FASTON,REC.,24-20 AWG, TPBR



TE Part #4-1879336-1  
CPF 0603 604R 1% 50PPM 1K RL



TE Part #7-1879335-3  
CPF 0603 121R 1% 50PPM 1K RL



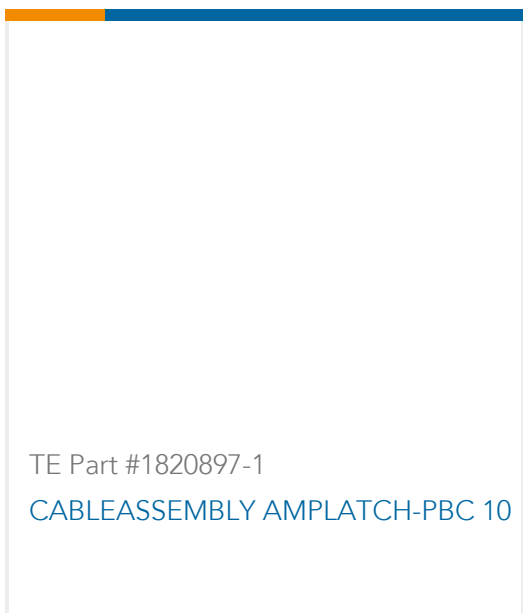
TE Part #5822417-1  
80 ME .050 VERT AU M/L RET PB-FREE



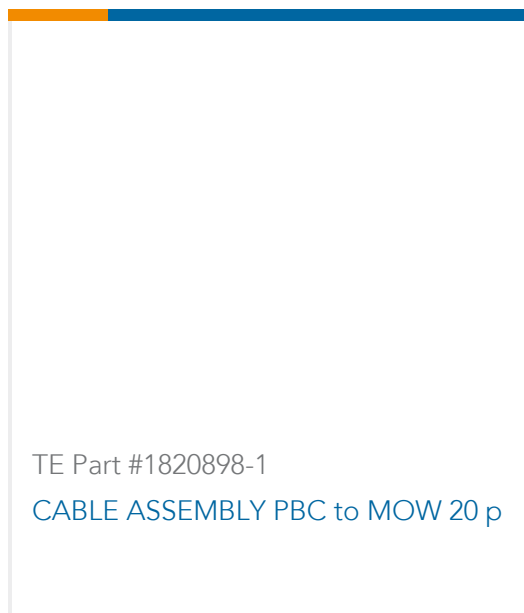
TE Part #2063041-2  
SDE MQS 0.25-0.5mm2 DIE SET



TE Part #5-1879524-5  
CRGH2512 1% 392R 2W



TE Part #1820897-1  
CABLEASSEMBLY AMPLATCH-PBC 10



TE Part #1820898-1  
CABLE ASSEMBLY PBC to MOW 20 p

### Documents



**CAD Files**

**Customer View Model**

[ENG\\_CVM\\_CVM\\_140814-1\\_S.2d\\_dxf.zip](#)

English

**3D PDF**

3D

**Customer View Model**

[ENG\\_CVM\\_CVM\\_140814-1\\_S.3d\\_igs.zip](#)

English

**Customer View Model**

[ENG\\_CVM\\_CVM\\_140814-1\\_S.3d\\_stp.zip](#)

English

By downloading the CAD file I accept and agree to the [Terms and Conditions](#) of use.

Looking for pricing, stock, or lifecycle information?

Click below to explore more details on WIN SOURCE:

[View 140814-1 on WIN SOURCE](#)

[TE Connectivity Information](#)

### Optimize Your Supply Chain with WIN SOURCE Solutions

- ✓ Global Sourcing Solution
- ✓ Obsolete Management
- ✓ Cost Control Management
- ✓ Shortage Management
- ✓ Alternative Solution
- ✓ Excess Inventory Management