



**THE DATASHEET OF
FT10302N0050JBK**



High Power Resistive Products

Flange Mount Terminations

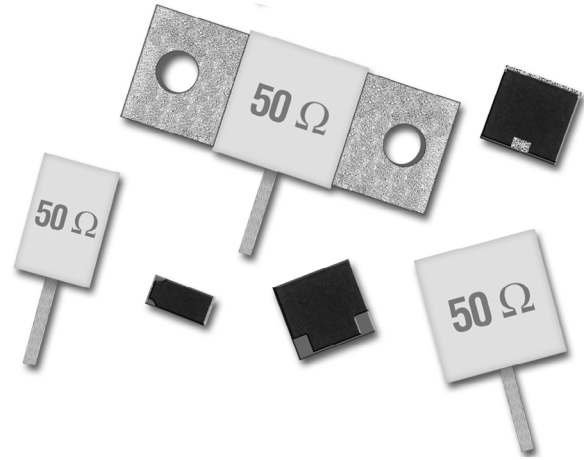
KYOCERA AVX introduces its complete line of High Power Termination Products. All Products are designed and manufactured at our ISO 9001 Facilities.

ELECTRICAL SPECIFICATIONS

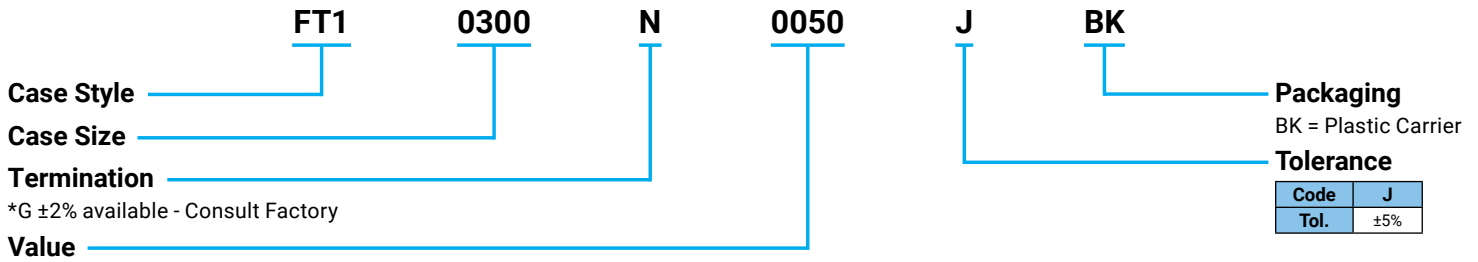
- **Resistance:** 50 Ω standard (10 Ω - 200 Ω available)
- Resistance Tolerance: ±5% standard (±2% available)
- Power: 10 Watts through 250 Watts
- **Operating Temperature Range:** -55°C to +150°C
- Temperature Coefficient: < 150 ppm/°C
- Low VSWR

MECHANICAL SPECIFICATIONS

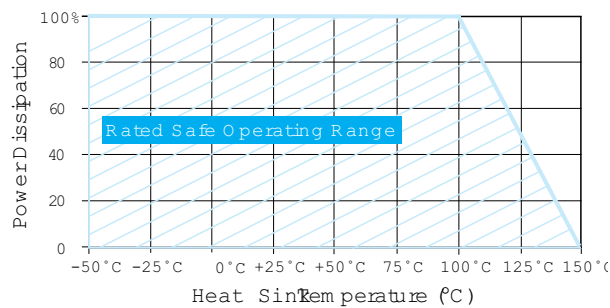
- **Package:** Surface Mount Chips, Chips, Leaded Chips, Flange Mount
- Substrate Material: Aluminum Nitride
- Process: Thin Film
- Resistive Material: Tantalum
- Terminals: Silver
- Cover: Alumina
- Mounting Flange: 100% Cu, Ni or Ag Plated
- Mechanical Tolerance: ±0.13 (0.005)
- Lead-Free, RoHS Compliant
- SMT and Chip products, supplied on Tape and Reel



HOW TO ORDER



POWER DERATING



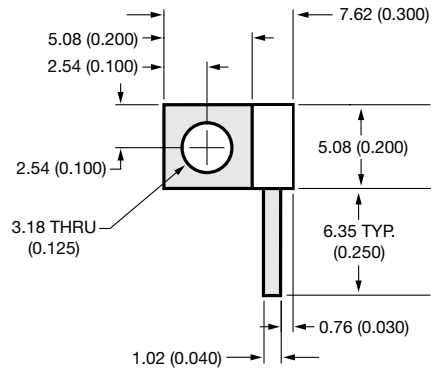
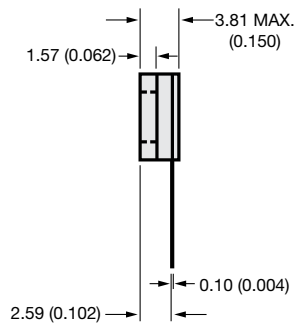
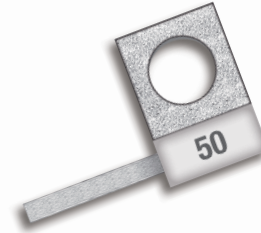
High Power Resistive Products

Flange Mount Terminations

P/N: FT10300N0050J

ELECTRICAL SPECIFICATIONS

- **Nominal Impedance:** 50 Ω \pm 5% standard (other Ω values available)
- Power: 20 Watts
- Frequency: DC to 6 GHz
- VSWR: 1.15:1 @ 4 GHz, 1.25:1 @ 6 GHz,
- Operating Temperature Range: -55°C to +150°C
- Temperature Coefficient: <150 ppm/°C
- Tabs: Silver
- Lead-Free, RoHS Compliant

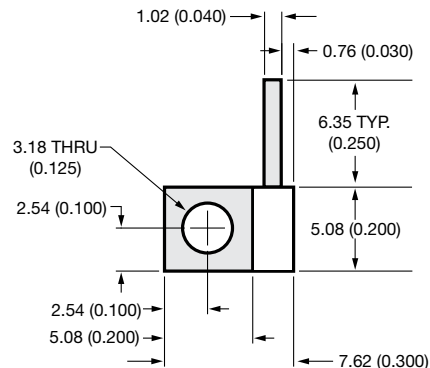
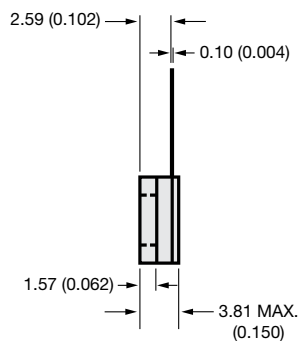
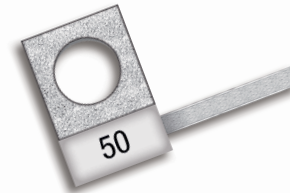


mm (inches)

P/N: FT10301N0050J

ELECTRICAL SPECIFICATIONS

- **Nominal Impedance:** 50 Ω \pm 5% standard (other Ω values available)
- Power: 20 Watts
- Frequency: DC to 6 GHz
- VSWR: 1.15:1 @ 4 GHz, 1.25:1 @ 6 GHz,
- Operating Temperature Range: -55°C to +150°C
- Temperature Coefficient: <150 ppm/°C
- Tabs: Silver
- Lead-Free, RoHS Compliant



mm (inches)

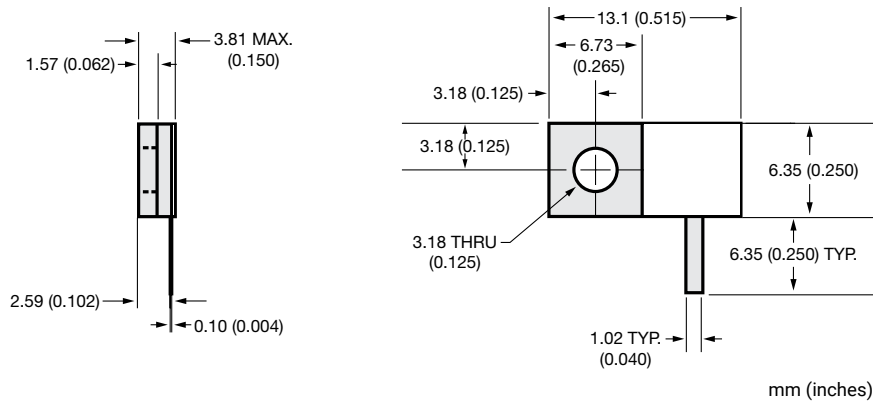
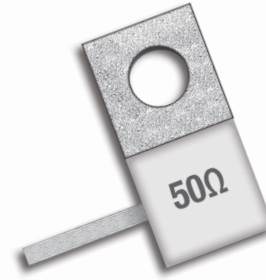
High Power Resistive Products

Flange Mount Terminations

P/N: FT10515N0050J

ELECTRICAL SPECIFICATIONS

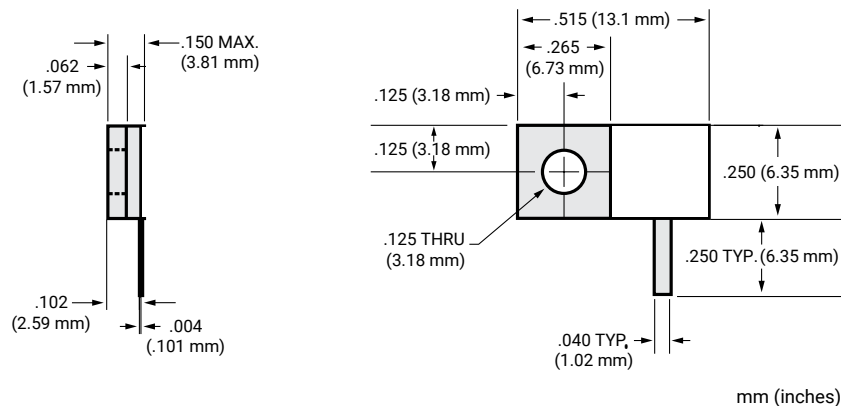
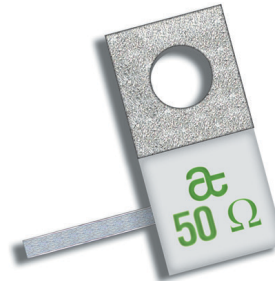
- **Nominal Impedance:** 50 Ω \pm 5% standard (other Ω values available)
- Power: 60 Watts
- Frequency: DC to 6.0 GHz
- VSWR: 1.20:1 @ 4 GHz, 1.30:1 @ 6 GHz
- Operating Temperature Range: -55°C to +150°C
- Temperature Coefficient: <150 ppm/°C
- Tabs: Silver
- Lead-Free, RoHS Compliant



P/N: FT10515N0050J01

ELECTRICAL SPECIFICATIONS

- **Nominal Impedance:** 50 Ω \pm 5% standard (other Ω values available)
- Power: 100 Watts
- Frequency: DC to 2.5 GHz
- VSWR: 1.15:1
- Operating Temperature Range: -55°C to +150°C
- Temperature Coefficient: <150 ppm/°C
- Tabs: Silver
- Lead-Free, RoHS Compliant



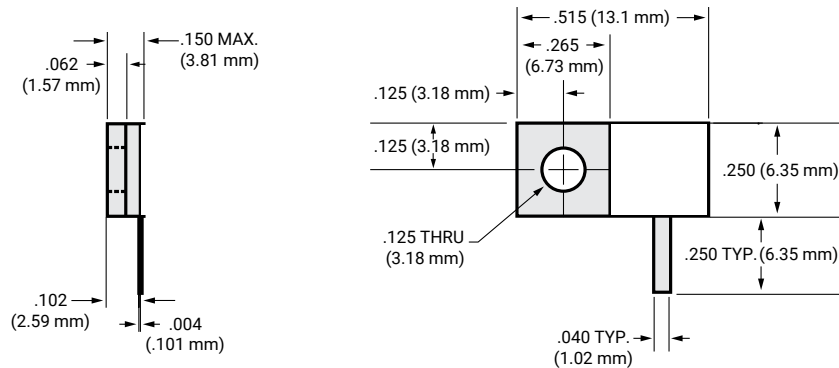
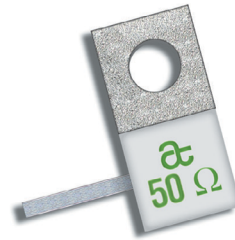
High Power Resistive Products

Flange Mount Terminations

P/N: FT10515N0050J02

ELECTRICAL SPECIFICATIONS

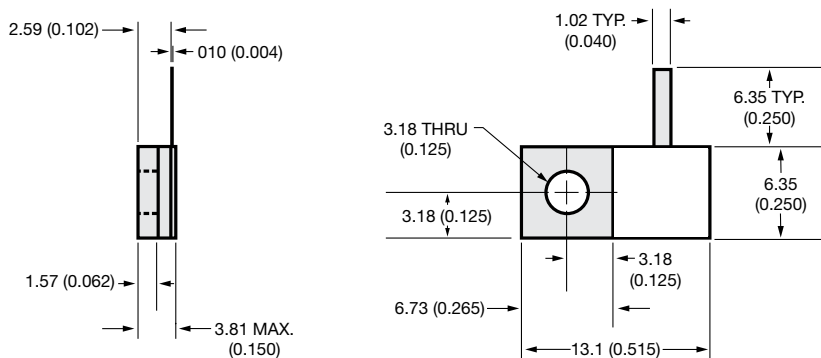
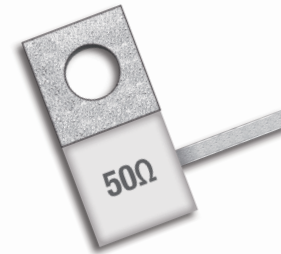
- **Nominal Impedance:** 50 Ω ±5% standard (other Ω values available)
- Power: 100 Watts
- Frequency: DC to 4 GHz
- VSWR: 1.20:1
- Operating Temperature Range: -55°C to +150°C
- Temperature Coefficient: <150 ppm/°C
- Tabs: Silver
- Lead-Free, RoHS Compliant



P/N: FT10516N0050J

ELECTRICAL SPECIFICATIONS

- **Nominal Impedance:** 50 Ω ±5% standard (other Ω values available)
- Power: 60 Watts
- Frequency: DC to 6 GHz
- VSWR: 1.20:1 @ 4 GHz, 1.30:1 @ 6 GHz
- Operating Temperature Range: -55°C to +150°C
- Temperature Coefficient: <150 ppm/°C
- Tabs: Silver
- Lead-Free, RoHS Compliant



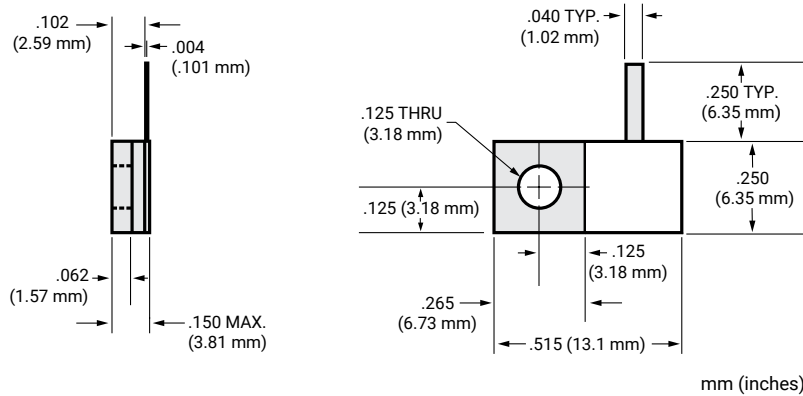
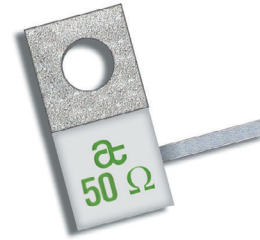
High Power Resistive Products

Flange Mount Terminations

P/N: FT10516N0050J01

ELECTRICAL SPECIFICATIONS

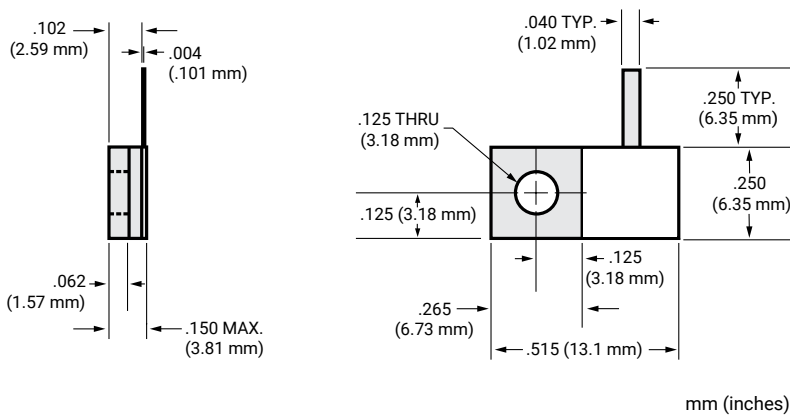
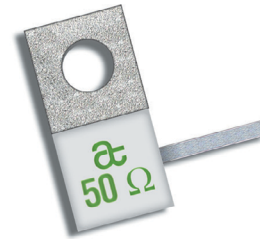
- **Nominal Impedance:** 50 Ω ±5% standard (other Ω values available)
- Power: 100 Watts
- Frequency: DC to 2.5 GHz
- VSWR: 1.15:1
- Operating Temperature Range: -55°C to +150°C
- Temperature Coefficient: <150 ppm/°C
- Tabs: Silver
- Lead-Free, RoHS Compliant



P/N: FT10516N0050J02

ELECTRICAL SPECIFICATIONS

- **Nominal Impedance:** 50 Ω ±5% standard (other Ω values available)
- Power: 100 Watts
- Frequency: DC to 4 GHz
- VSWR: 1.20:1
- Operating Temperature Range: -55°C to +150°C
- Temperature Coefficient: <150 ppm/°C
- Tabs: Silver
- Lead-Free, RoHS Compliant



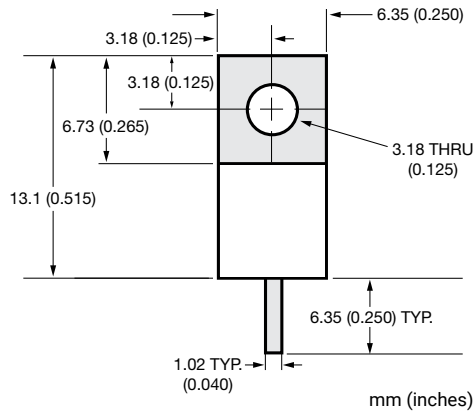
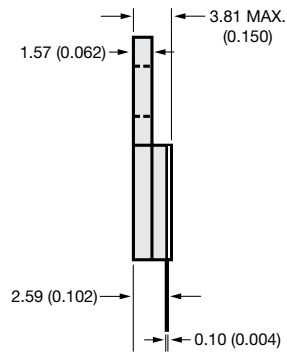
High Power Resistive Products

Flange Mount Terminations

P/N: FT10517N0050J

ELECTRICAL SPECIFICATIONS

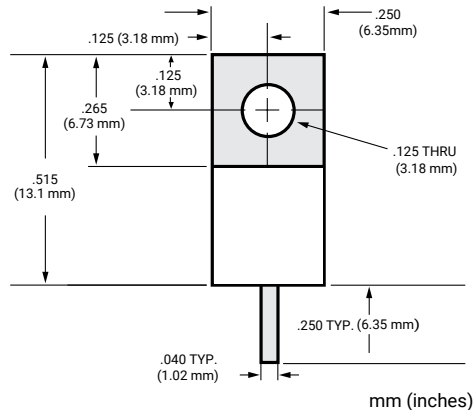
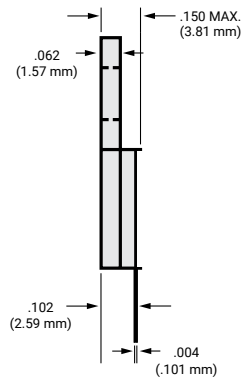
- **Nominal Impedance:** 50 Ω ±5% standard (other Ω values available)
- Power: 60 Watts
- Frequency: DC to 4 GHz
- VSWR: 1.20:1 @ 4 GHz, 1.30:1 @ 6 GHz
- Operating Temperature Range: -55°C to +150°C
- Temperature Coefficient: <150 ppm/°C
- Tabs: Silver
- Lead-Free, RoHS Compliant



P/N: FT10517N0050J01

ELECTRICAL SPECIFICATIONS

- **Nominal Impedance:** 50 Ω ±5% standard (other Ω values available)
- Power: 100 Watts
- Frequency: DC to 2.5 GHz
- VSWR: 1.15:1
- Operating Temperature Range: -55°C to +150°C
- Temperature Coefficient: <150 ppm/°C
- Tabs: Silver
- Lead-Free, RoHS Compliant



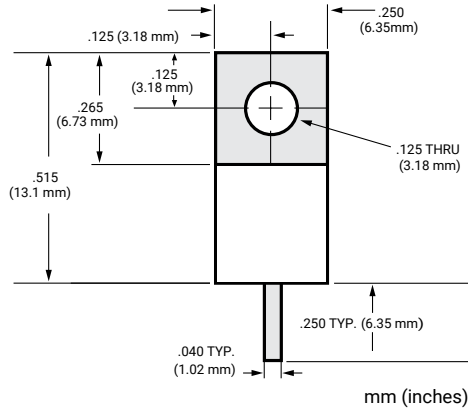
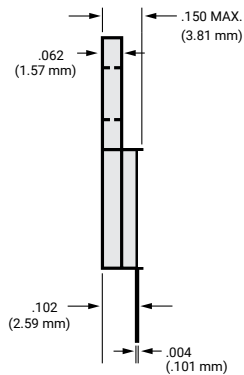
High Power Resistive Products

Flange Mount Terminations

P/N: FT10517N0050J02

ELECTRICAL SPECIFICATIONS

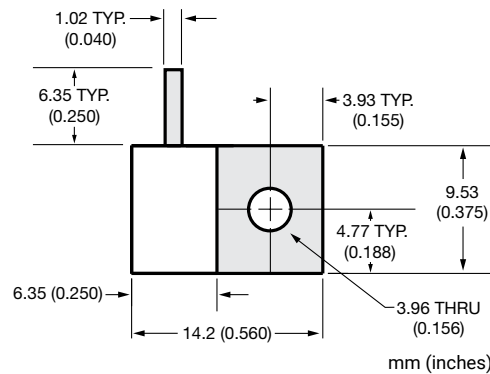
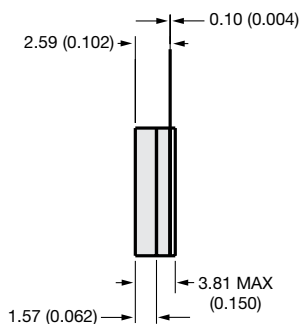
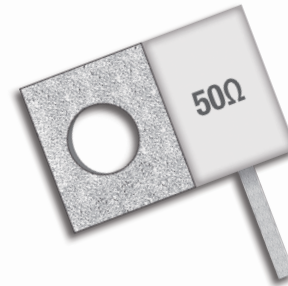
- **Nominal Impedance:** 50 Ω ±5% standard (other Ω values available)
- Power: 100 Watts
- Frequency: DC to 4 GHz
- VSWR: 1.20:1
- Operating Temperature Range: -55°C to +150°C
- Temperature Coefficient: <150 ppm/°C
- Tabs: Silver
- Lead-Free, RoHS Compliant



P/N: FT10560N0050J

ELECTRICAL SPECIFICATIONS

- **Nominal Impedance:** 50 Ω ±5% standard (other Ω values available)
- Power: 75 Watts
- Frequency: DC to 4 GHz
- VSWR: 1.25:1
- Operating Temperature Range: -55°C to +150°C
- Temperature Coefficient: <150 ppm/°C
- Tabs: Silver
- Lead-Free, RoHS Compliant



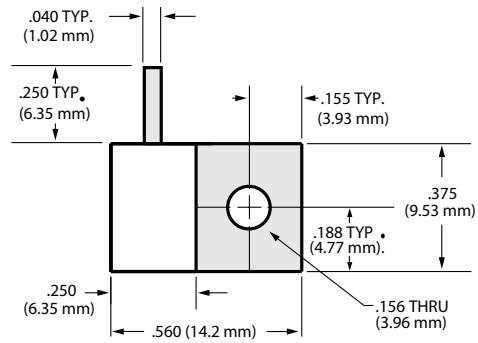
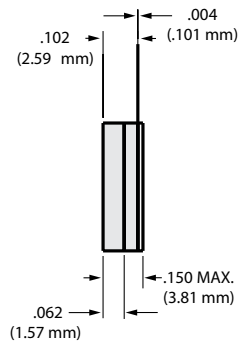
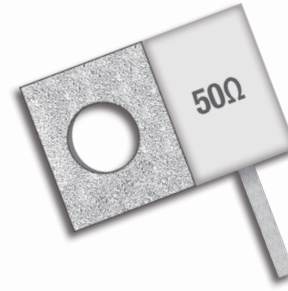
High Power Resistive Products

Flange Mount Terminations

P/N: FT10560N0050J01

ELECTRICAL SPECIFICATIONS

- **Nominal Impedance:** 50 Ω ±5% standard (other Ω values available)
- Power: 100 Watts
- Frequency: DC to 1.1 GHz
- VSWR: 1.15:1
- Operating Temperature Range: -55°C to +150°C
- Temperature Coefficient: <150 ppm/°C
- Tabs: Silver
- Lead-Free, RoHS Compliant

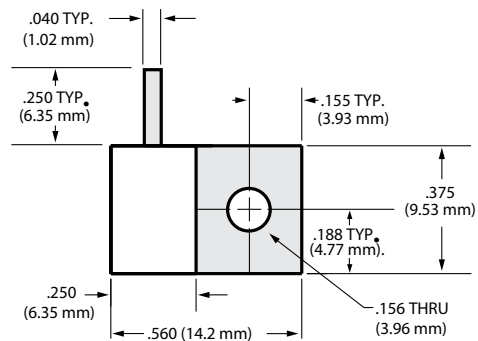
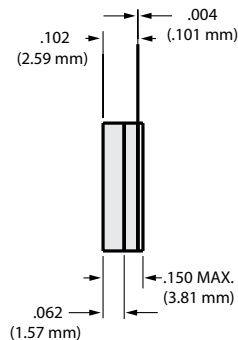
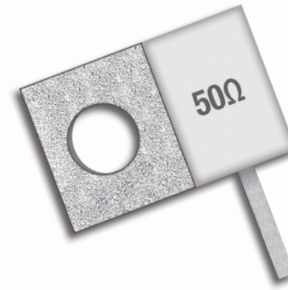


mm (inches)

P/N: FT10560N0050J02

ELECTRICAL SPECIFICATIONS

- **Nominal Impedance:** 50 Ω ±5% standard (other Ω values available)
- Power: 100 Watts
- Frequency: DC to 2 GHz
- VSWR: 1.20:1
- Operating Temperature Range: -55°C to +150°C
- Temperature Coefficient: <150 ppm/°C
- Tabs: Silver
- Lead-Free, RoHS Compliant



mm (inches)

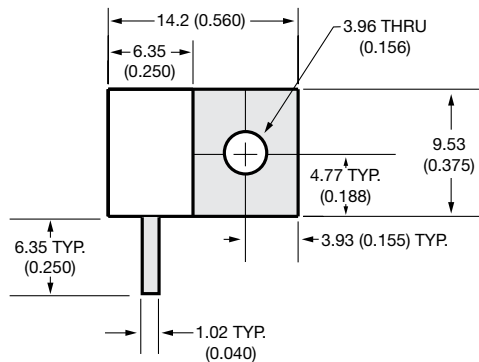
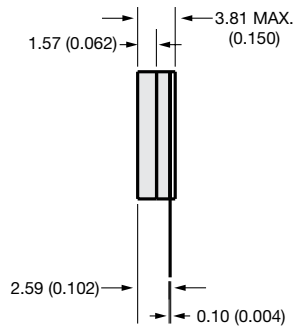
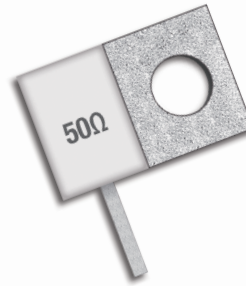
High Power Resistive Products

Flange Mount Terminations

P/N: FT10561N0050J

ELECTRICAL SPECIFICATIONS

- **Nominal Impedance:** 50 Ω ±5% standard (other Ω values available)
- Power: 75 Watts
- Frequency: DC to 4.0 GHz
- VSWR: 1.25:1
- Operating Temperature Range: -55°C to +150°C
- Temperature Coefficient: <150 ppm/°C
- Tabs: Silver
- Lead-Free, RoHS Compliant

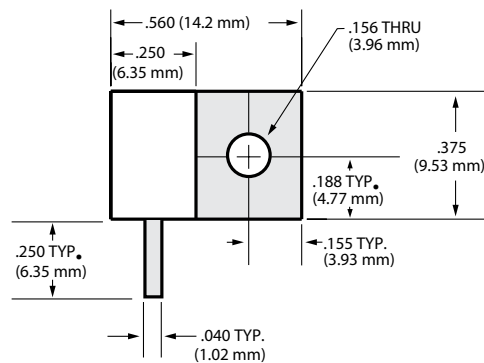
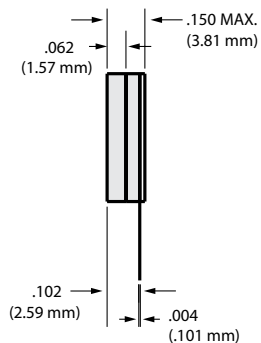
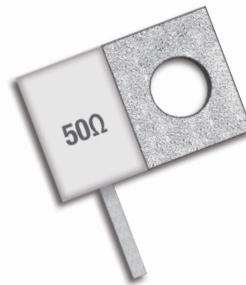


mm (inches)

P/N: FT10561N0050J01

ELECTRICAL SPECIFICATIONS

- **Nominal Impedance:** 50 Ω ±5% standard (other Ω values available)
- Power: 100 Watts
- Frequency: DC to 1.1 GHz
- VSWR: 1.15:1
- Operating Temperature Range: -55°C to +150°C
- Temperature Coefficient: <150 ppm/°C
- Tabs: Silver
- Lead-Free, RoHS Compliant



mm (inches)

For Part Number Code, see page 14.

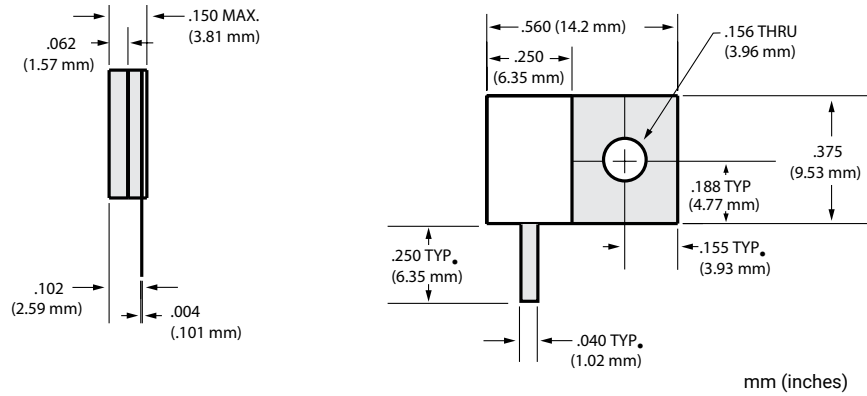
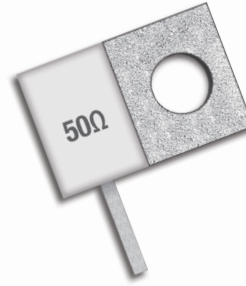
High Power Resistive Products

Flange Mount Terminations

P/N: FT10561N0050J02

ELECTRICAL SPECIFICATIONS

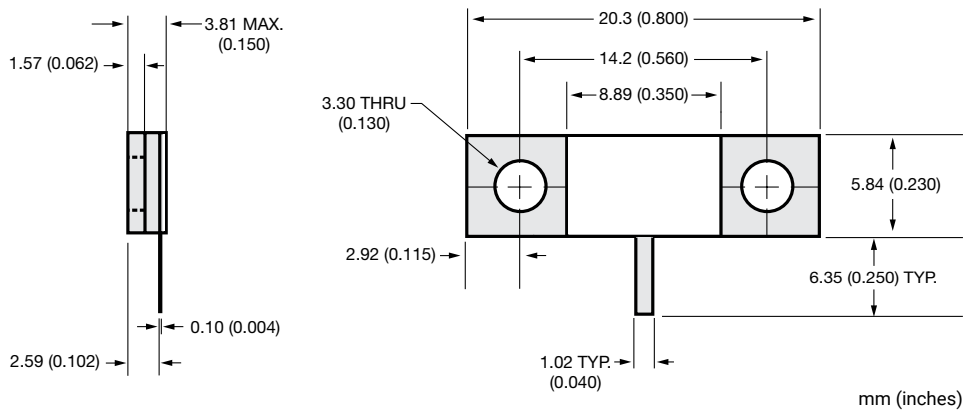
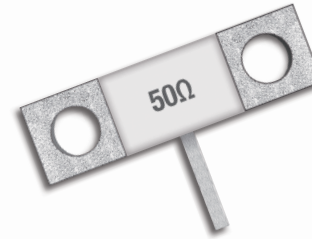
- **Nominal Impedance:** 50 Ω ±5% standard (other Ω values available)
- Power: 100 Watts
- Frequency: DC to 2 GHz
- VSWR: 1.20:1
- Operating Temperature Range: -55°C to +150°C
- Temperature Coefficient: <150 ppm/°C
- Tabs: Silver
- Lead-Free, RoHS Compliant



P/N: FT10800N0050J

ELECTRICAL SPECIFICATIONS

- **Nominal Impedance:** 50 Ω ±5% standard (other Ω values available)
- Power: 50 Watts
- Frequency: DC to 6 GHz
- VSWR: 1.10:1 @ 4.5 GHz, 1.18:1 @ 6.0GHz
- Operating Temperature Range: -55°C to +150°C
- Tabs: Silver
- Lead-Free, RoHS Compliant



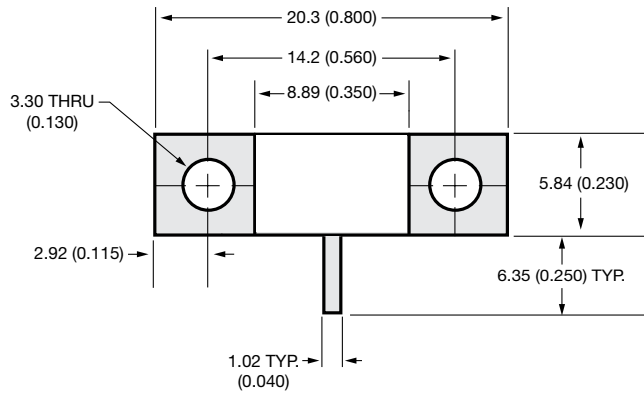
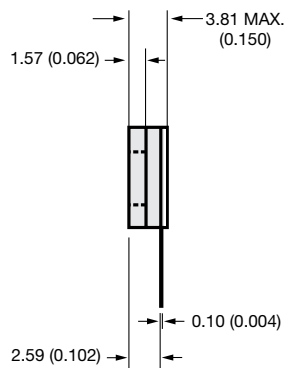
High Power Resistive Products

Flange Mount Terminations

P/N: FT10800N0050J02

ELECTRICAL SPECIFICATIONS

- **Nominal Impedance:** 50 Ω ±5% standard (other Ω values available)
- Power: 100 Watts
- Frequency: DC to 6 GHz
- VSWR: 1.10:1 @ 4.5 GHz, 1.20:1 @ 6.0GHz
- Operating Temperature Range: -55°C to +150°C
- Temperature Coefficient: <150 ppm/°C
- Tabs: Silver
- Lead-Free, RoHS Compliant

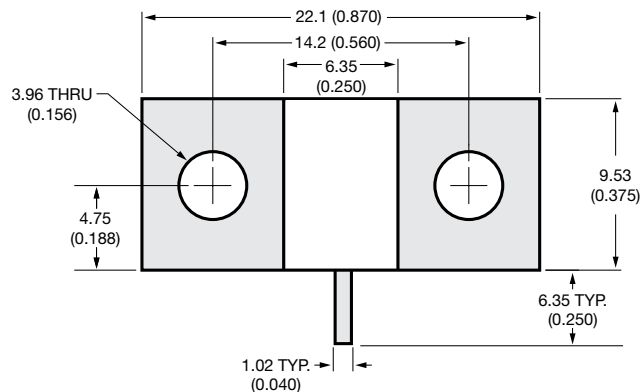
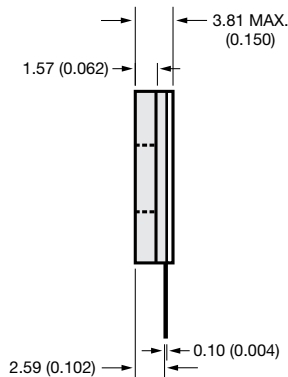
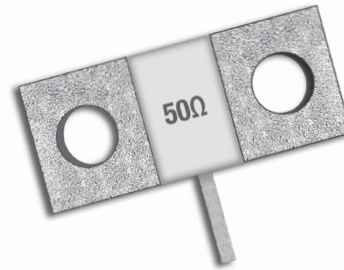


mm (inches)

P/N: FT10870N0050J

ELECTRICAL SPECIFICATIONS

- **Nominal Impedance:** 50 Ω ±5% standard (other Ω values available)
- Power: 100 Watts
- Frequency: DC to 4.0 GHz
- VSWR: 1.20:1
- Operating Temperature Range: -55°C to +150°C
- Temperature Coefficient: <150 ppm/°C
- Tabs: Silver
- Lead-Free, RoHS Compliant



mm (inches)

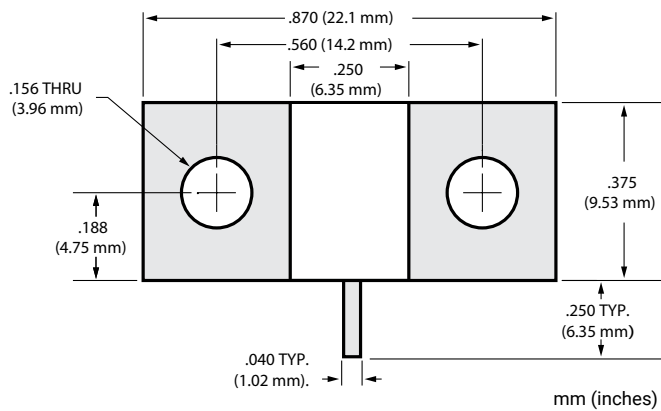
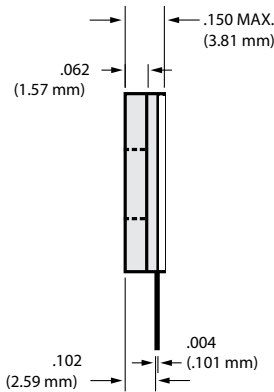
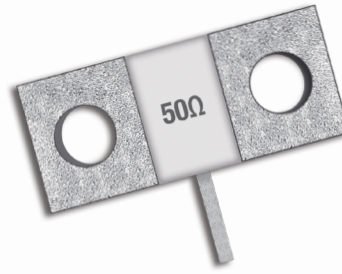
High Power Resistive Products

Flange Mount Terminations

P/N: FT10870N0050J01

ELECTRICAL SPECIFICATIONS

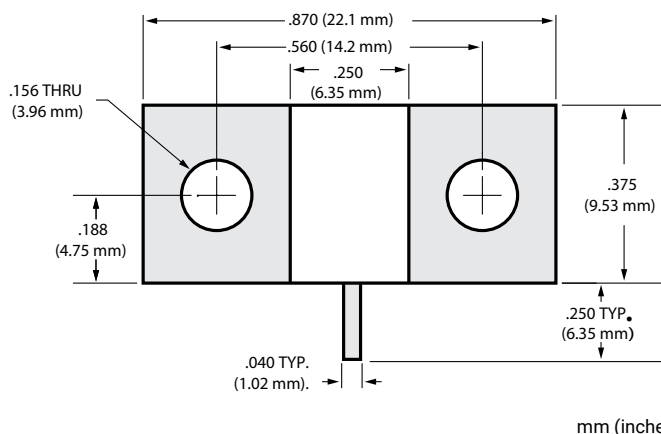
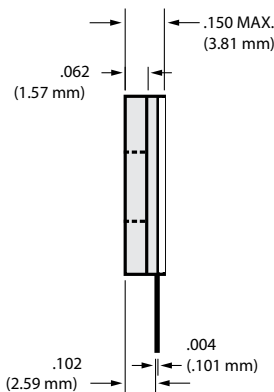
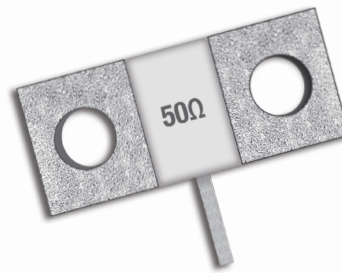
- **Nominal Impedance:** 50 Ω \pm 5% standard (other Ω values available)
- Power: 150 Watts
- Frequency: DC to 1.1 GHz
- VSWR: 1.15:1
- Operating Temperature Range: -55°C to +150°C
- Temperature Coefficient: <150 ppm/°C
- Tabs: Silver
- Lead-Free, RoHS Compliant



P/N: FT10870N0050J02

ELECTRICAL SPECIFICATIONS

- **Nominal Impedance:** 50 Ω \pm 5% standard (other Ω values available)
- Power: 150 Watts
- Frequency: DC to 4 GHz
- VSWR: 1.20:1
- Operating Temperature Range: -55°C to +150°C
- Temperature Coefficient: <150 ppm/°C
- Tabs: Silver
- Lead-Free, RoHS Compliant



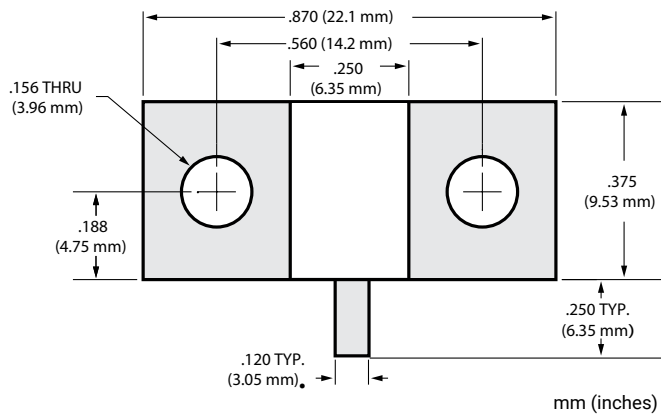
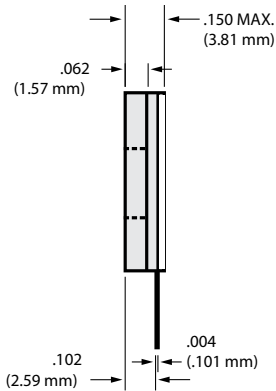
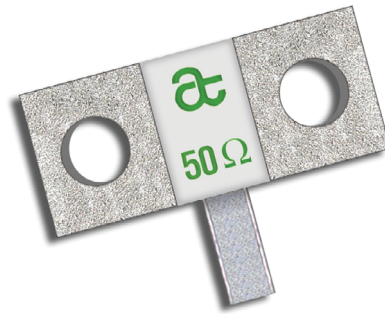
High Power Resistive Products

Flange Mount Terminations

P/N: FT10870N0050J03

ELECTRICAL SPECIFICATIONS

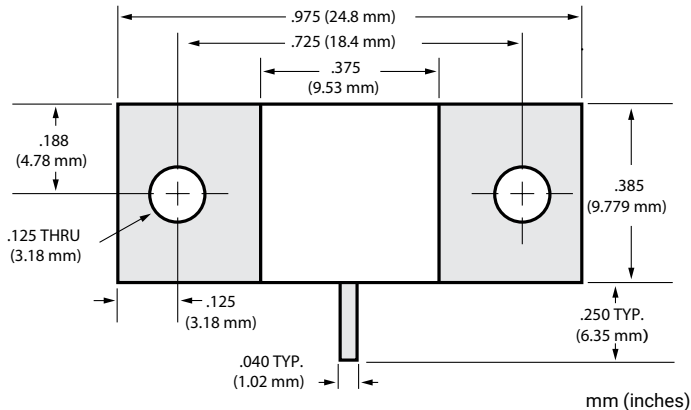
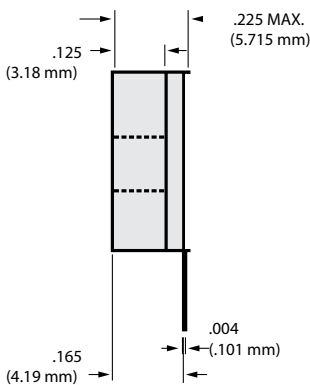
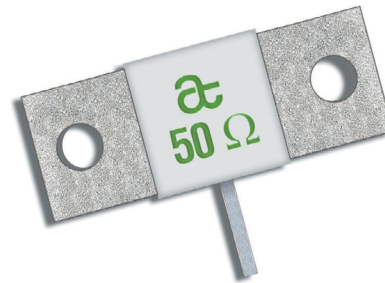
- **Nominal Impedance:** 50 Ω ±5% standard (other Ω values available)
- Power: 150 Watts
- Frequency: DC to 4 GHz
- VSWR: 1.25:1
- Operating Temperature Range: -55°C to +150°C
- Temperature Coefficient: <150 ppm/°C
- Tabs: Silver
- Lead-Free, RoHS Compliant



P/N: FT10975N0050JBK

ELECTRICAL SPECIFICATIONS

- **Nominal Impedance:** 50 Ω ±5% standard (other Ω values available)
- Power: 200 Watts
- Frequency: DC to 2.2 GHz
- VSWR: 1.20:1 @ 2 GHz, 1.30:1 @ 2.2 GHz
- Operating Temperature Range: -55°C to +150°C
- Temperature Coefficient: <150 ppm/°C
- Tabs: Silver
- Lead-Free, RoHS Compliant



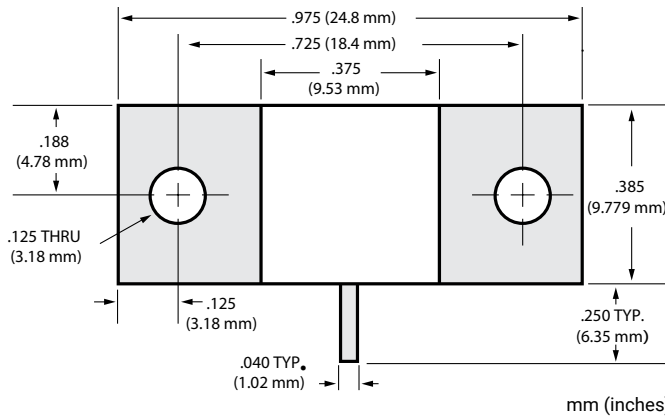
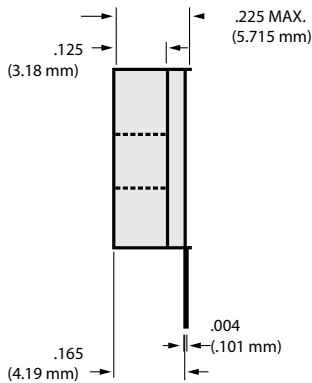
High Power Resistive Products

Flange Mount Terminations

P/N: FT10975N0050J01

ELECTRICAL SPECIFICATIONS

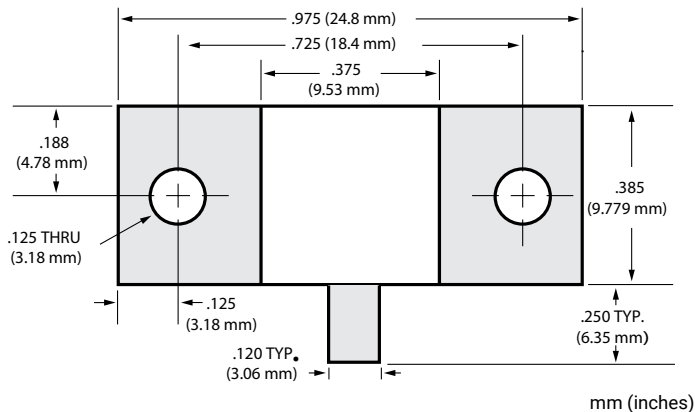
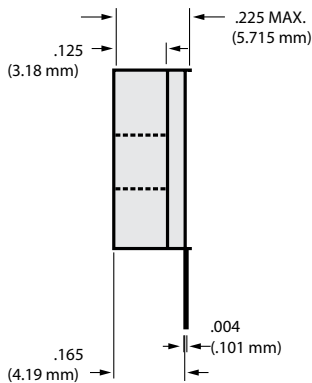
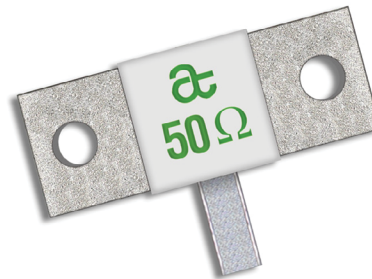
- **Nominal Impedance:** 50 Ω ±5% standard (other Ω values available)
- Power: 250 Watts
- Frequency: DC to 1.0 GHz
- VSWR: 1.20:1
- Operating Temperature Range: -55°C to +150°C
- Temperature Coefficient: <150 ppm/°C
- Tabs: Silver
- Lead-Free, RoHS Compliant



P/N: FT10975N0050J03


ELECTRICAL SPECIFICATIONS

- **Nominal Impedance:** 50 Ω ±5% standard (other Ω values available)
- Power: 100 Watts
- Frequency: DC to 4.0 GHz
- VSWR: 1.20:1
- Operating Temperature Range: -55°C to +150°C
- Temperature Coefficient: <150 ppm/°C
- Tabs: Silver
- Lead-Free, RoHS Compliant



Looking for pricing, stock, or lifecycle information?

Click below to explore more details on WIN SOURCE:

-  [View FT10302N0050JBK on WIN SOURCE](#)
-  [AVX Corp/Kyocera Corp Information](#)

Optimize Your Supply Chain with WIN SOURCE Solutions

-  Global Sourcing Solution
-  Obsolete Management
-  Cost Control Management
-  Shortage Management
-  Alternative Solution
-  Excess Inventory Management