



THE DATASHEET OF
1326030-4





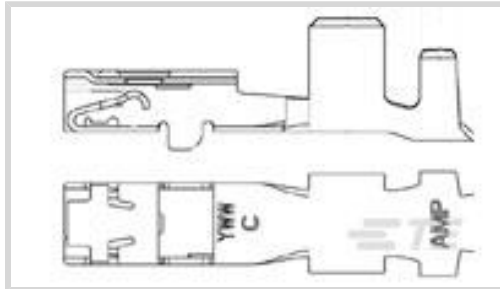
1.5/2.8 Connector System

TE Internal #: 1326030-4

Receptacle, Mating Tab Width 2.8 mm [.11 in], Tab Thickness .8 mm [.031 in], 12 AWG Wire Size, 1.5/2.8 Connector System, Automotive Terminals

[View on TE.com >](#)

Terminals & Splices > Automotive Terminals > 1.5/2.8 CONNECTOR SYSTEM, RECPT AND TAB



Terminal Type: **Receptacle**

Mating Tab Width: **2.8 mm [.11 in]**

Mating Tab Thickness: **.8 mm [.031 in]**

Wire Size: **3 mm²**

[All 1.5/2.8 CONNECTOR SYSTEM, RECPT AND TAB \(37\)](#)

Features

Product Type Features

Receptacle Style	180°
Sealable	No

Contact Features

Contact Size	2.8mm
Contact Fabrication	Stamped & Formed
Wire Contact Termination Area Plating Material	Tin
Crimp Type	F-Crimp
Terminal Type	Receptacle
Mating Tab Width	2.8 mm[.11 in]
Mating Tab Thickness	.8 mm[.031 in]
Interface Plating	Tin (Sn)

Termination Features

Termination Method to Wire & Cable	Crimp
Product Terminates To	Wire

Dimensions

Compatible Insulation Diameter Range	1.2 – 4.04 mm[.047 – .161 in]
Wire Size	3 mm ²



Wire Size Search	12 AWG
------------------	--------

Usage Conditions

Insulation Option	Uninsulated
Operating Temperature (Max)	80 °C, 85 °C, 90 °C, 100 °C, 105 °C, 110 °C, 120 °C, 125 °C[176 °F][185 °F][194 °F][212 °F][221 °F][230 °F][248 °F][257 °F]
Operating Temperature Range	-40 – 125 °C[-40 – 257 °F]

Packaging Features

Packaging Quantity	2300
Packaging Method	Reel

Product Compliance

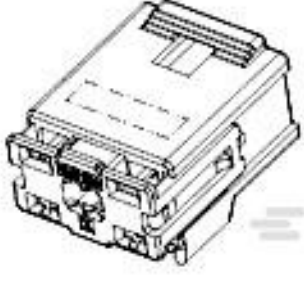
[For compliance documentation, visit the product page on TE.com>](#)

EU RoHS Directive 2011/65/EU	Compliant
EU ELV Directive 2000/53/EC	Compliant
China RoHS 2 Directive MIIT Order No 32, 2016	No Restricted Materials Above Threshold
EU REACH Regulation (EC) No. 1907/2006	Current ECHA Candidate List: JUNE 2024 (241) Candidate List Declared Against: JUNE 2024 (241) Does not contain REACH SVHC
Halogen Content	Low Halogen - Br, Cl, F, I < 900 ppm per homogenous material. Also BFR/CFR/PVC Free
Solder Process Capability	Not applicable for solder process capability

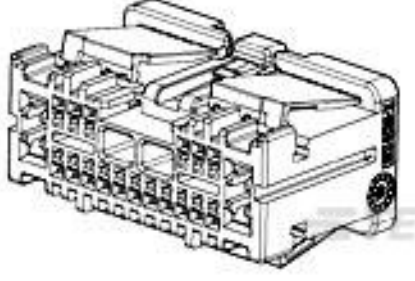
Product Compliance Disclaimer

This information is provided based on reasonable inquiry of our suppliers and represents our current actual knowledge based on the information they provided. This information is subject to change. The part numbers that TE has identified as EU RoHS compliant have a maximum concentration of 0.1% by weight in homogenous materials for lead, hexavalent chromium, mercury, PBB, PBDE, DBP, BBP, DEHP, DIBP, and 0.01% for cadmium, or qualify for an exemption to these limits as defined in the Annexes of Directive 2011/65/EU (RoHS2). Finished electrical and electronic equipment products will be CE marked as required by Directive 2011/65/EU. Components may not be CE marked. Additionally, the part numbers that TE has identified as EU ELV compliant have a maximum concentration of 0.1% by weight in homogenous materials for lead, hexavalent chromium, and mercury, and 0.01% for cadmium, or qualify for an exemption to these limits as defined in the Annexes of Directive 2000/53/EC (ELV). Regarding the REACH Regulation, the information TE provides on SVHC in articles for this part number is based on the latest European Chemicals Agency (ECHA) 'Guidance on requirements for substances in articles' posted at this URL: <https://echa.europa.eu/guidance-documents/guidance-on-reach>

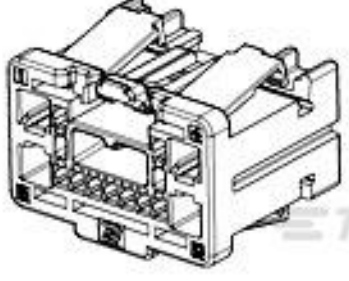
Compatible Parts

TE Part # 1456471-1
8p Hybrid 0.64/2.8 Unsealed PI



TE Part # 1924126-1
21p Hybrid - 1pc Unsealed Plug, Key A



TE Part # 1924667-1
13p Hybrid - 1pc Unsealed Plug, Key A



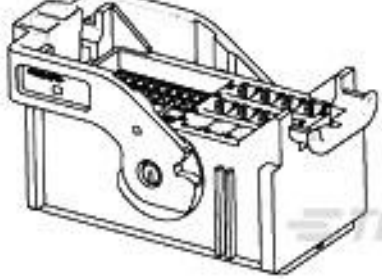
TE Part # CAT-T319-CH8172
TH/.025 CONNECTOR SYSTEM, HOUSING



TE Part # 1438759-1
22WAY HYBRID .040/2.8 PLUG ASSY KEY 'B'



TE Part # CAT-G3353-CH8172
GET .64 CONNECTOR SYSTEM, CONNECTOR HSG



TE Part # 776932-1
52 pos plug assy, 0.64 and 2.8



TE Part # 1452842-3
22 POS FEMALE HSG ASSY



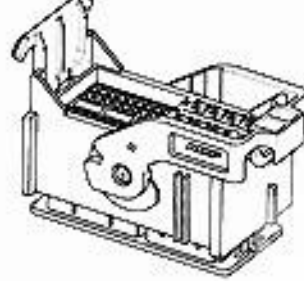
TE Part # 1326359-1
11P 2.8MM LVG-HNG PLUG - KEY A



TE Part # 1438759-2
22Way Hybrid 040/2.8 Plug Assy Key "C"



TE Part # 2203937-1
52 pos plug assy, 0.64 and 2.8




TE Part # 776932-3
52 pos plug, 0.64 and 2.80mm




TE Part # 2203937-5
52 pos plug assy, 0.64 and 2.8


Also in the Series | **1.5/2.8 Connector System**




Automotive Connector Caps & Covers (3)



Automotive Housings(27)



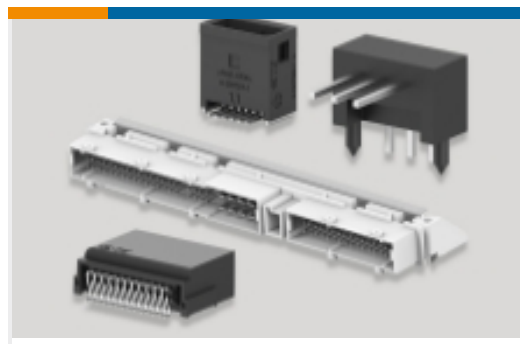
Automotive Terminals(48)



Insertion & Extraction Tools(1)



Other Automotive Connector Accessories(1)



PCB Headers & Receptacles(1)

Customers Also Bought



TE Part #1326140-1
32WAY LAC SHIELD ASSEMBLY 70 D



TE Part #4-1924067-1
2POS, MCON 1.2 CB REC 2p TL SEALED



TE Part #1745011-1
PANEL HOOK



TE Part #2272006-2
Plug Assembly, 20P GET, w/ CPA



TE Part #4-2355506-1
2POS,MCON 1.2,REC HSG ASSY,SLD, COD A



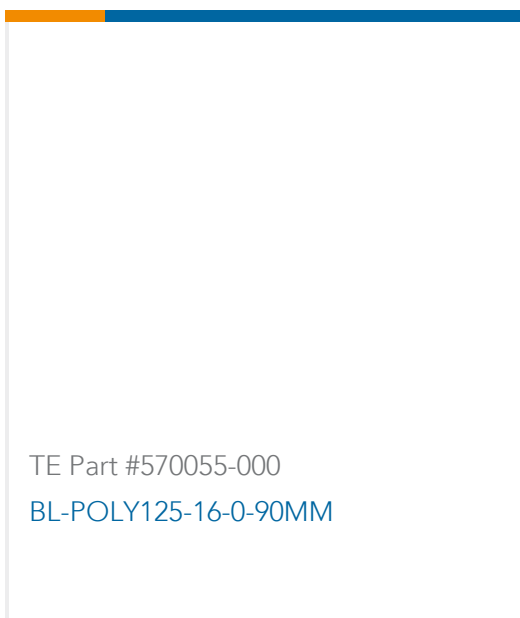
TE Part #1-1452839-5
24 POS FEMALE HSG ASSY



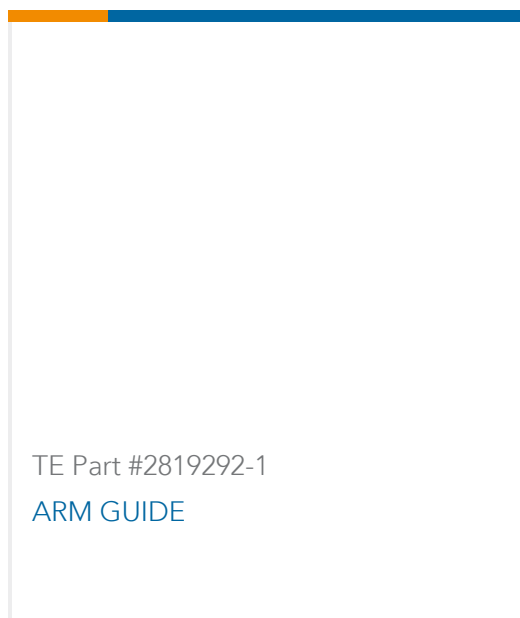
TE Part #2298559-1
COVER ASSY, MQS 2X16POSN.



TE Part #2819293-1
PIVOTED ARM ASSEMBLY



TE Part #570055-000
BL-POLY125-16-0-90MM



TE Part #2819292-1
ARM GUIDE

Documents

Product Drawings

[2.8MM RECP,UNSEAL,10-12AWG](#)

English

CAD Files

[3D PDF](#)

3D

[Customer View Model](#)

[ENG_CVM_CVM_1326030-4_L.2d_dxf.zip](#)



English

Customer View Model

[ENG_CVM_CVM_1326030-4_L.3d_igs.zip](#)

English

Customer View Model

[ENG_CVM_CVM_1326030-4_L.3d_stp.zip](#)

English

Customer View Model

[ENG_CVM_1326030-4_H1.3d_igs.zip](#)

English

Customer View Model

[ENG_CVM_1326030-4_H1.3d_stp.zip](#)

English

Customer View Model

[ENG_CVM_1326030-4_H1.2d_dxf.zip](#)

English

[3D PDF](#)

English

By downloading the CAD file I accept and agree to the [Terms and Conditions](#) of use.

[Product Specifications](#)

[Application Specification](#)

English

Looking for pricing, stock, or lifecycle information?

Click below to explore more details on WIN SOURCE:

[View 1326030-4 on WIN SOURCE](#)

[TE Connectivity Information](#)

Optimize Your Supply Chain with WIN SOURCE Solutions

- ✓ Global Sourcing Solution
- ✓ Obsolete Management
- ✓ Cost Control Management
- ✓ Shortage Management
- ✓ Alternative Solution
- ✓ Excess Inventory Management