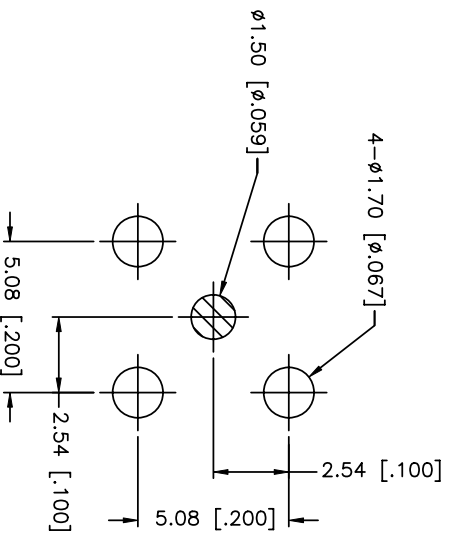
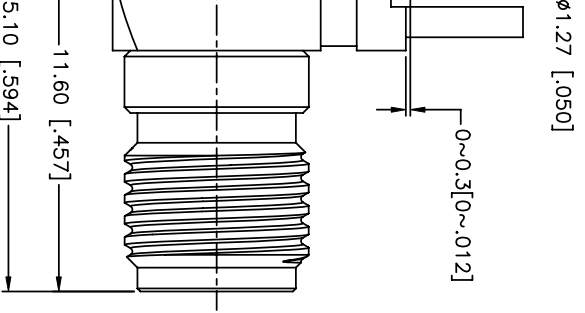
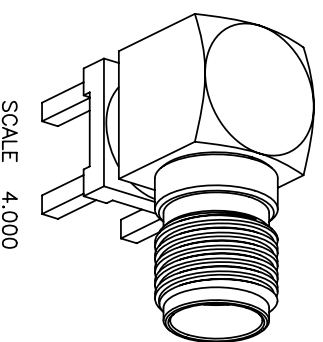
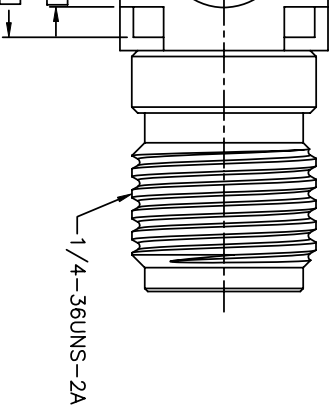




THE DATASHEET OF
132136-12



REV.	DATE	ECR NO.	DESCRIPTION
NC	03/28/06	xxxx	INITIAL RELEASE
A	02/22/13	2448	MODIFY PCB MOUNTING HOLES, UPDATE DRAWING FORMAT



PCB MOUNTING HOLES

MS, MIN.

UNLESS OTHERWISE SPECIFIED DIMENSIONS ARE IN MILLIMETERS DIMENSIONS IN [] ARE IN INCHES AND FOR CUSTOMER REFERENCE ONLY. TOLERANCES FOR MILLIMETERS ARE:

<0.5 ± 0.05mm
0.5 - 6mm ± 0.10mm
6 - 30mm ± 0.20mm
30 - 120mm ± 0.30mm
ANGLES ± 1°

UNLESS OTHERWISE SPECIFIED TOLERANCES FOR INCHES ARE:

<.020 ± 0.0002"
.020 - .236 = ± 0.0004"
.236 - 1.180 = ± 0.0007"
1.180 - 4.724 = ± 0.012"
ANGLES ± 1°



REV.	QTY
URAL	1
ULD	1
URAL	1
ULD	1

APPROVALS	DATE
DRAWN R.MAO	02/22/13
CHECKED	
ISSUED	
SHEET 1 OF 1	

APPROVALS	DATE	DESCRIPTION
<p>Amphenol Connex</p> <p>SMA R/A P.C. MOUNT JACK SURFACE MOUNT CENTER CONTACT</p>		
CAD FILE		PART NO. 132136-12
DO NOT SCALE DRAWING		DWG. NO. 132136-12.DWG
		REV. A
		SIZE A
		SCALE NA

Looking for pricing, stock, or lifecycle information?

Click below to explore more details on WIN SOURCE:

-  [View 132136-12 on WIN SOURCE](#)
-  [Amphenol Information](#)

Optimize Your Supply Chain with WIN SOURCE Solutions

-  Global Sourcing Solution
-  Obsolete Management
-  Cost Control Management
-  Shortage Management
-  Alternative Solution
-  Excess Inventory Management