

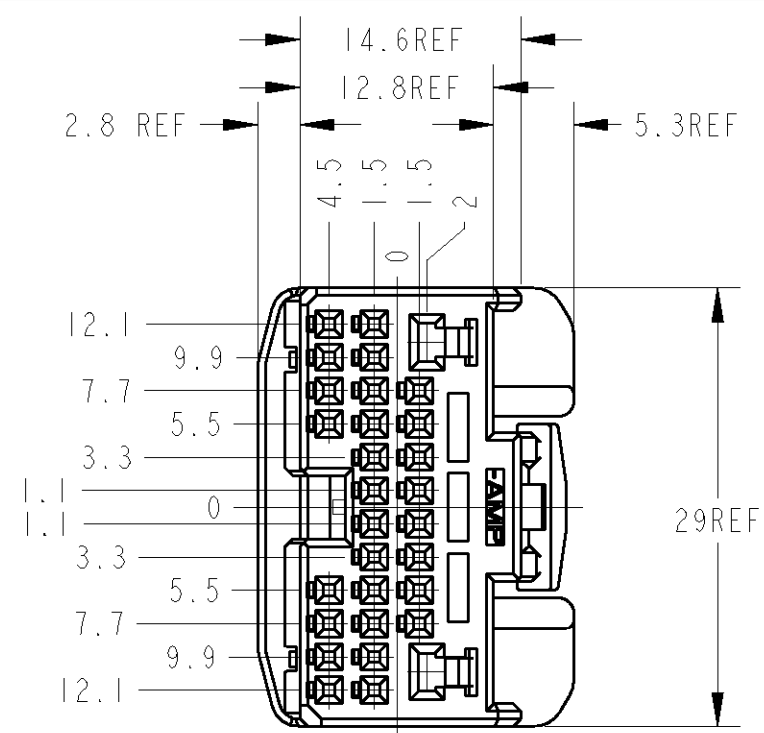


**THE DATASHEET OF**  
**1318758-1**

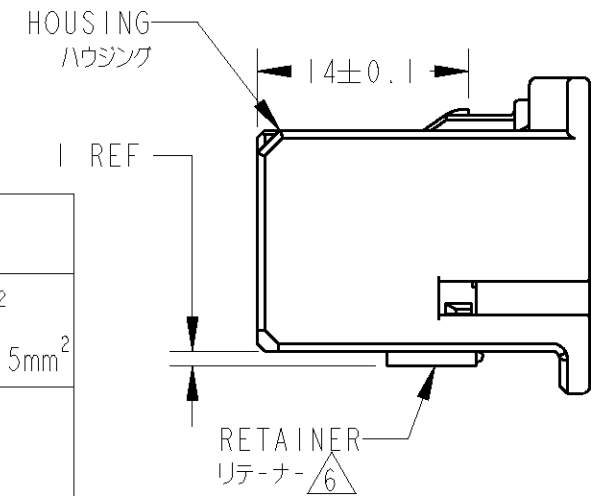
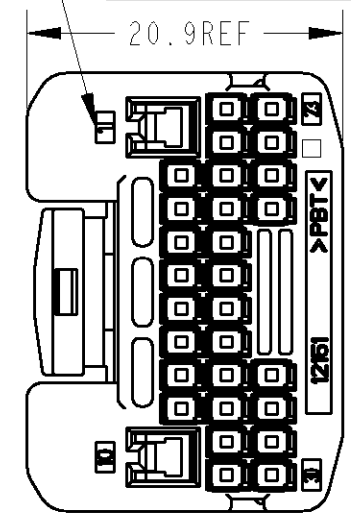
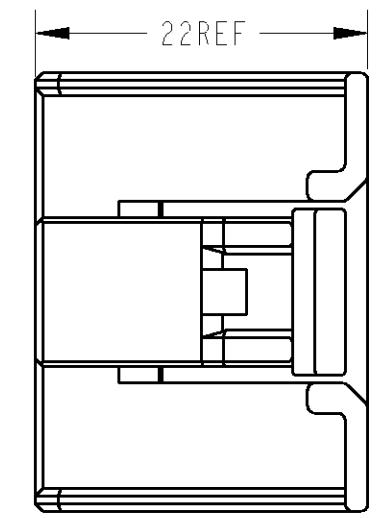


THIS DRAWING IS UNPUBLISHED. RELEASED FOR PUBLICATION 20  
 © COPYRIGHT 20 BY TYCO ELECTRONICS CORPORATION. ALL RIGHTS RESERVED.

LOC	DIST	REVISIONS						
		P	LTR	DESCRIPTION	ECN	DATE	DWN	APVD
J	//		O	RELEASED	FJ00-0772-00	27APR2000	T.H	N.S
			A	REVISED	FJ00-1168-00	10JUL2000	R.N	N.S
			B	REVISED	FJ00-0184-02	24JAN2002	R.N	H.Y
			C	REVISED	FJA0-0192-03	10APR03	KF	KA



CIRCUIT NO.  
回路番号



1. RETAINER SHOULD BE SET TO THE PRE-ASSEMBLY POSITION WITHIN THE PLUG HOUSING WHEN SHIPPED TO THE CUSTOMER.
2. THE PRE-RETENTION LATCH OF THE RETAINER MUST BE OUT SIDE OF PLUG HOUSING WHEN PRE-ASSEMBLY.
3. PART NUMBER OF HOUSINGS TO BE MATED: SEE TABLE-1.
4. DETAILS OF CAVITIES: SEE TABLE-2.
5. AS FOR THE HANDLING OF THIS PRODUCT, FOLLOW THE INSTRUCTION SHEET NO.411-5927
- △. RETAINER COLOR: ALL NATURAL.
7. APPLIED CONTACT PART NUMBER: SEE TABLE-2, 3

1. プラグハウジングにリテーナを仮止して出荷される。
2. 仮止時、リテーナ突起がハウジングの外側に出ていること。
3. 嵌合相手ハウジング番号は、TABLE-1参照。
4. キャビティ構成は、TABLE-2参照。
5. 本製品の取扱は、取扱説明書NO.411-5927に従うこと。
- △. リテーナは全て自然色。
7. 内装するリセパタクルコンタクト型番は、TABLE-2, 3参照。

TABLE-2

SIGNAL	TIN	POS 極数	APPLIED TERMINAL P/N 適用端子型番	APPLICABLE WIRE RANGE 適用電線
				025
POWER	TIN	2	S : SEE TABLE-3	CAVUS 0.3-0.5mm <sup>2</sup> CAVS/AVSS 0.3-0.5mm <sup>2</sup> AVS 0.3-0.5mm <sup>2</sup>
			M : SEE TABLE-3	CAVUS 0.5-1.25mm <sup>2</sup> CAVS/AVSS 0.5-1.25mm <sup>2</sup> AVS 0.5-1.25mm <sup>2</sup>
			L : SEE TABLE-3	AVSS 2mm <sup>2</sup>

TABLE-1

POS 極数	MALE HSG オスハウジング P/N 型番
80	1318751

CARTON BOX タンポ-ル箱	PLASTIC BAG ビニ-ル袋	BLACK 黒	1318758-2
CARTON BOX タンポ-ル箱	PLASTIC BAG ビニ-ル袋	NATURAL 自然色	1318758-1
OUTER 外箱	INNER 内装	HOUSING COLOR ハウジング色	P/N 型番
PACKING STYLE 梱包形態		△	

TABLE-3

CONTACT MAKER 使用端子メーカー	CONTACT SIZE 端子サイズ		
	S	M	L
YAZAKI PARTS CO.,LTD. 矢崎部品(株)殿	7116-4020	7116-4021	7116-4022
SUMITOMO WIRING SYSTEMS,LTD. 住友電装(株)殿	8240-4882	8240-4892	8240-4942
TOKAI RIKI CO.,LTD. (株)東海理化電機製作所殿	4R1190-0004E	4R1191-0004E	4R1192-0005F

THIS DRAWING IS A CONTROLLED DOCUMENT FOR TYCO ELECTRONICS CORPORATION IT IS SUBJECT TO CHANGE AND THE CONTROLLING ENGINEERING ORGANIZATION SHOULD BE CONTACTED FOR THE LATEST REVISION.

DWN R.NAGAI	27APR2000	Tyco Electronics AMP K.K. Kawasaki, Japan
CHK N.SAI	27APR2000	
APVD N.SAI	27APR2000	
DIMENSIONS: 単位: 概 mm		PRODUCT SPEC 製品規格 108-5667
TOLERANCES UNLESS OTHERWISE SPECIFIED: 一般公差 = ± 0.3 0-PLC ± 1-PLC ±0.1 2-PLC ±0.01 3-PLC ±0.001 4-PLC ±0.0001 ANGLES ±3'00"		
MATERIAL 材料 PBT		APPLICATION SPEC 取付適用規格 114-5250
FINISH 仕上 SEE TABLE		
WEIGHT 6.63 g		NAME 名称 025/090 SER 30POS PLUG ASSY
CUSTOMER DRAWING		SIZE A3
SCALE 尺度 2:1		CAGE CODE 00779
SHEET 1 OF 1		DRAWING NO C=1318758
REV C		RESTRICTED TO //

## Looking for pricing, stock, or lifecycle information?

Click below to explore more details on WIN SOURCE:

 [View 1318758-1](#) on WIN SOURCE

 [TE Connectivity](#) Information

## Optimize Your Supply Chain with WIN SOURCE Solutions

-  Global Sourcing Solution
-  Obsolete Management
-  Cost Control Management
-  Shortage Management
-  Alternative Solution
-  Excess Inventory Management