



THE DATASHEET OF
1300280264



10 9 8 7 6 5 4 3 2 1

F

E

D

C

B

A

F

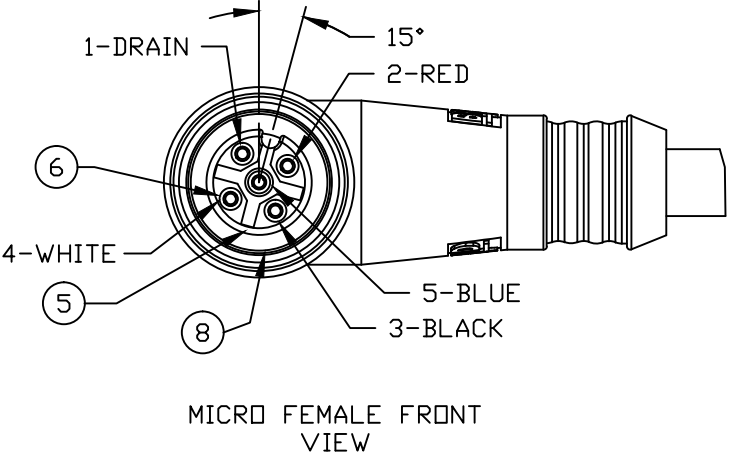
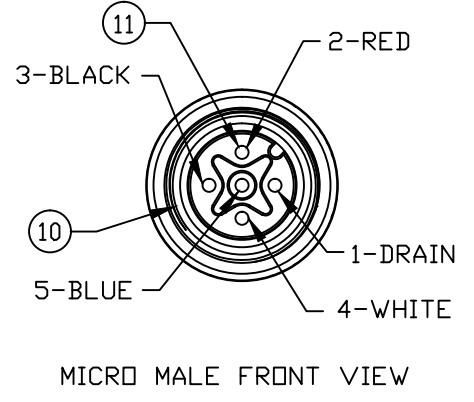
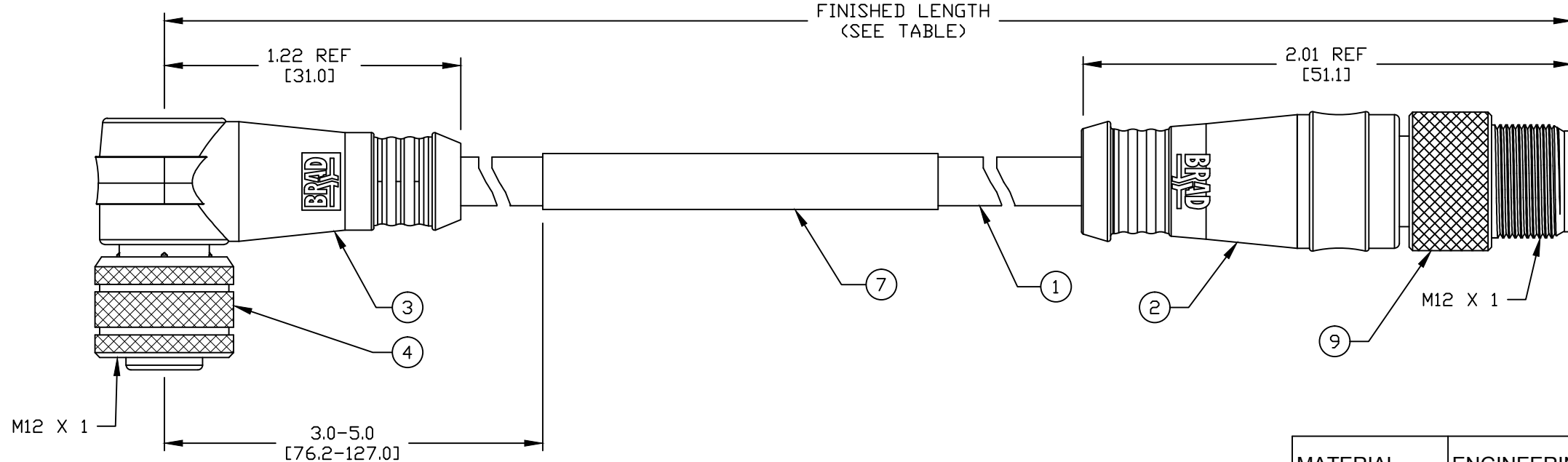
E

D

C

B

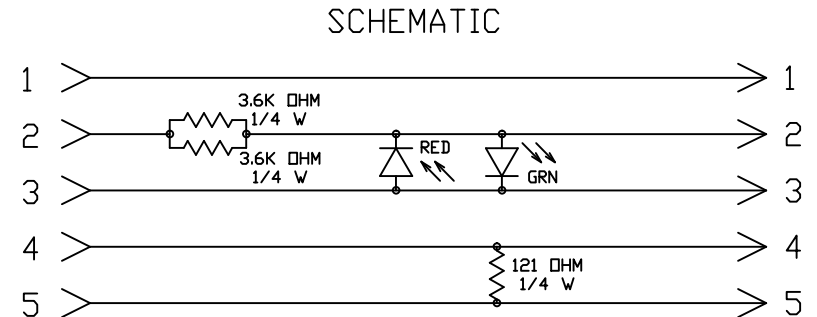
A



MATERIAL NUMBER	ENGINEERING NUMBER	FINISHED LENGTH ± TOLERANCE
1300280274	130028-0274	1' 7" +1.75"/-0" [0.5M +44.5/-0mm]
1300280264	130028-0264	3' 3" +2.19"/-0" [1M +55.6/-0mm]
1300280275	130028-0275	4' 11" +2.19"/-0" [1.5M +55.6/-0mm]
1300280265	130028-0265	6' 7" +3.50"/-0" [2M +88.9/-0mm]
1300280276	130028-0276	8' 2" +3.50"/-0" [2.5M +88.9/-0mm]
1300280266	130028-0266	9' 10" +3.50"/-0" [3M +88.9/-0mm]
1300280267	130028-0267	13' 1" +6.50"/-0" [4M +165.1/-0mm]
1300280268	130028-0268	16' 4" +6.50"/-0" [5M +165.1/-0mm]

ITEM	QTY	DESCRIPTION	MATERIAL	FINISH
11	5	PIN CONTACT	COPPER ALLOY	GOLD PLATED
10	1	INSERT	NYLON	BLACK
9	1	COUPLING NUT	COPPER ALLOY	NICKEL PLATED
8	1	O-RING	NITRILE	RED
7	1	LABEL	PLASTIC FILM	BLACK/YELLOW
6	5	SOCKET CONTACT	COPPER ALLOY	GOLD PLATED
5	1	INSERT	NYLON	BLACK
4	1	COUPLING NUT	BRASS	NICKEL PLATED
3	1	OVERMOLD	PVC	GRAY
2	1	OVERMOLD	PVC	GRAY
1	1	DROP CABLE, 2 TWISTED PAIRS 26AWG CORD	PVC	GRAY

VOLTAGE RATING	30 VDC
AMPERAGE RATING	2.4 AMPS
PROTECTION	IP67
OPERATING TEMPERATURE	-20°C TO 80°C



KEYWAY 15° WAS 45° EC NO: WNA2012-0167 DRWN: BWOODMAN2011/11/04 CHKD: KJOZWIK APPR: JFMURPHY	DESCRIPTION REV C	QUALITY SYMBOLS ▽=0 ▽C=0	GENERAL TOLERANCES (UNLESS SPECIFIED) mm INCH 4 PLACES ±--- ±--- 3 PLACES ±--- ±.005 2 PLACES ±0.13 ±.010 1 PLACE ±0.25 ±.020 ANGULAR ±1/2°	DIMENSION STYLE IN/MM DRAWN BY DATE BWOODMAN 2011/11/04 CHECKED BY DATE KJOZWIK 2011/11/16 APPROVED BY DATE ---	SCALE 1:1 DESIGN UNITS INCH THIRD ANGLE PROJECTION	TITLE MIC 90D TERMINATED FEM TO MIC STR MALE SPCL KEYWAY ORIENT MOLEX INCORPORATED	MATERIAL NO. SEE TABLE SIZE B THIS DRAWING CONTAINS INFORMATION THAT IS PROPRIETARY TO MOLEX INCORPORATED AND SHOULD NOT BE USED WITHOUT WRITTEN PERMISSION	DOCUMENT NO. SD-130028-008 SHEET NO. 1 OF 1
--	----------------------	--------------------------------	---	--	--	--	---	--

10 9 8 7 6 5 4 3 2 1

Looking for pricing, stock, or lifecycle information?

Click below to explore more details on WIN SOURCE:

 [View 1300280264 on WIN SOURCE](#)

 [Molex, LLC Information](#)

Optimize Your Supply Chain with WIN SOURCE Solutions

-  Global Sourcing Solution
-  Obsolete Management
-  Cost Control Management
-  Shortage Management
-  Alternative Solution
-  Excess Inventory Management