



**THE DATASHEET OF  
BGA525N6E6327XTSA1**

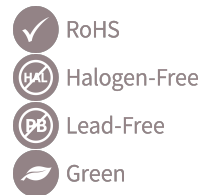
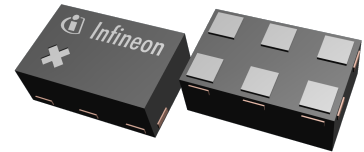


# BGA525N6

## Broadband Low Power LNA for L1/L2/L5 GNSS Applications

### Features

- Operation frequencies 1164 to 1615 MHz
- Multiple-Operating Modes for different applications
- Current consumption down to 1.5 mA
- Wide supply voltage range 1.1 V to 3.3 V
- High insertion power gain up to 19 dB
- Low noise figure down to 0.7 dB
- 2 kV HBM ESD protection (including AI pin)
- Broadband design ensures the functionality of all GNSS signals within 1164 to 1615 MHz with the same matching



### Potential Application

The BGA525N6 enhances GNSS signal sensitivity for band L1/L2/L5 especially in wearables and mobile cellular IoT applications. It offers 3 different GPIO controlled modes:

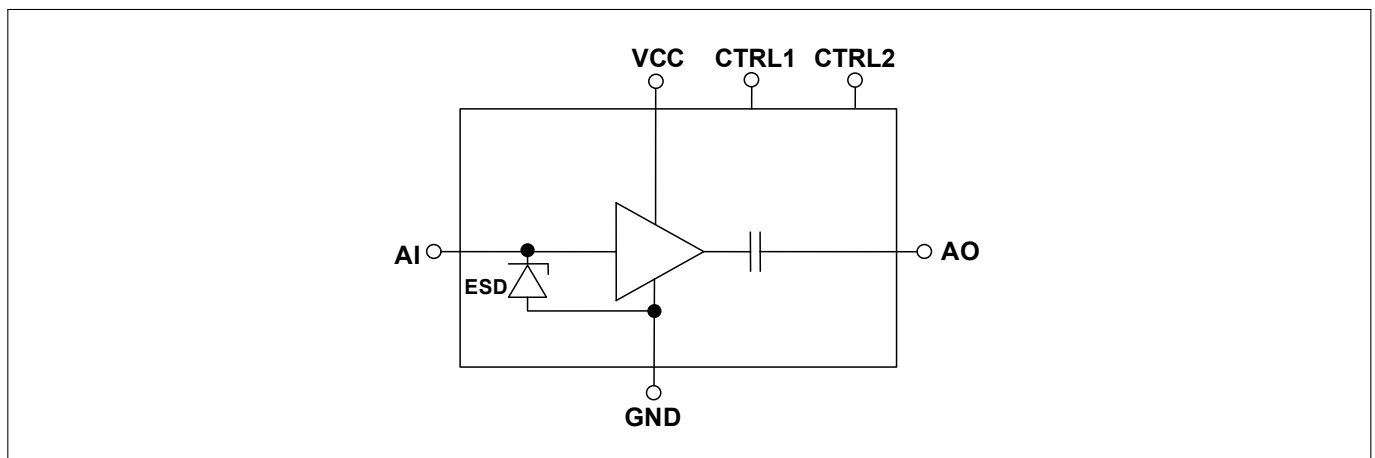
- Low-Power Mode: small battery powered GNSS devices
- Standard Mode: best balance between power consumption and performance
- High-Gain Mode: lowest Noise Figure and fastest Time-To-First-Fix

The broadband design ensures the functionality of all GNSS signals within 1164 to 1615 MHz with the same matching. Simplified dual-band GNSS system designs with one RF-Path are enabled by BGA525N6.

### Product Validation

Qualified for industrial applications according to the relevant tests of JEDEC47/20/22.

### Block Diagram



Product Name	Marking	Package	Ordering Information
BGA525N6	8	PG-TSNP-6-10	BGA525N6 E6327

## Table of Contents

Table of Contents	1
1 Absolute Maximum Ratings	2
2 Electrical Characteristics	3
3 Application Information	10
4 Package Information	12

**Absolute Maximum Ratings****1 Absolute Maximum Ratings****Table 1: Absolute Maximum Ratings**

Parameter	Symbol	Values			Unit	Note / Test Condition
		Min.	Typ.	Max.		
Voltage at pin VCC	$V_{CC}$	-0.3	–	3.6	V	<sup>1</sup>
Voltage at pin AI	$V_{AI}$	–	–	–	V	<sup>2</sup>
Voltage at pin AO	$V_{AO}$	-0.3	–	$V_{CC} + 0.3$	V	$V_{CC} + 0.3$ must not exceed 3.6 V
Voltage at pin CTRL1/CTRL2	$V_{CTRL}$	-0.3	–	$V_{CC} + 0.3$	V	–
Current into pin VCC	$I_{CC}$	–	–	10	mA	–
Junction temperature	$T_J$	–	–	150	°C	–
Ambient temperature range	$T_A$	-40	–	85	°C	–
Storage temperature range	$T_{STG}$	-55	–	150	°C	–
ESD capability, HBM	$V_{ESD\_HBM}$	-2000	–	+2000	V	<sup>3</sup>
ESD capability, CDM	$V_{ESD\_CDM}$	-1000	–	+1000	V	<sup>4</sup>
RF input power	$P_{IN}$	–	–	+25	dBm	CW signal, VSWR 10:1, (refer to 50 Ohm), device level, VCC/VCTRL type, 25°C, for 30s and all modes.

<sup>1</sup>All voltages refer to GND-Nodes unless otherwise noted<sup>2</sup>No external DC Voltage allowed<sup>3</sup>Human Body Model ANSI/ESDA/JEDEC JS-001 ( $R = 1.5\text{ k}\Omega$ ,  $C = 100\text{ pF}$ )<sup>4</sup>Field-Induced Charged-Device Model ANSI/ESDA/JEDEC JS-002. Simulates charging/discharging events that occur in production equipment and processes. Potential for CDM ESD events occurs whenever there is metal-to-metal contact in manufacturing.

**Warning: Stresses above the max. values listed here may cause permanent damage to the device. Maximum ratings are absolute ratings; exceeding only one of these values may cause irreversible damage to the integrated circuit. Exposure to conditions at or below absolute maximum rating but above the specified maximum operation conditions may affect device reliability and life time. Functionality of the device might not be given under these conditions.**

## Electrical Characteristics

**2 Electrical Characteristics****Table 2: Operation ranges at  $T_A = 25\text{ °C}$ ,  $f = \text{L1/L2/L5}$** 

Parameter <sup>1</sup>	Symbol	Values			Unit	Note / Test Condition
		Min.	Typ.	Max.		
Supply Voltage	$V_{CC}$	1.1	–	3.3	V	–
Control Input Voltage	$V_{IH}$	$0.7 * V_{CC}$	–	VCC	V	logic H
	$V_{IL}$	0	–	$0.3 * V_{CC}$	V	logic L
Stability	$k$	>1	–	–		$f=20\text{ MHz}-10\text{ GHz}$ (all Modes)
Transient time	$t_s$	–	30	32	ns	Low Power Mode to OFF Mode Standard Mode to OFF Mode High Gain Mode to OFF Mode
		–	21.7	23.5	$\mu\text{s}$	C1=1nF OFF to LOW Power Mode OFF to Standard Mode OFF to High Gain Mode
		–	733	847	ns	C1=10pF OFF to LOW Power Mode OFF to Standard Mode OFF to High Gain Mode

<sup>1</sup>Based on application described in chapter 4

**Electrical Characteristics****Table 3: Electrical Characteristics at  $T_A = 25\text{ }^\circ\text{C}$ , Low Power Mode,  $f = 1164\text{--}1300\text{ MHz}$** 

Parameter <sup>1</sup>	Symbol	Values			Unit	Note / Test Condition
		Min.	Typ.	Max.		
Supply Current	$I_{CC}$	-	1.5	1.8	mA	Low Power Mode, VCC=1.8V
		-	-	1	$\mu\text{A}$	OFF Mode
Insertion Power Gain <sup>1</sup> $f = 1176\text{ MHz}$	$ S_{21} ^2$	14.5	15.5	16.5	dB	VCC=1.2V
		14.5	15.5	16.5	dB	VCC=1.8V
		14.5	15.5	16.5	dB	VCC=2.8V
Noise Figure <sup>2</sup> $f = 1176\text{ MHz}$	NF	-	0.9	1.2	dB	VCC=1.2V
		-	0.9	1.2	dB	VCC=1.8V
		-	0.9	1.2	dB	VCC=2.8V
Input return loss <sup>3</sup> $f = 1176\text{ MHz}$	$RL_{IN}$	8	9.5	-	dB	VCC=1.2V
		7.5	9	-	dB	VCC=1.8V
		7.5	9	-	dB	VCC=2.8V
Output return loss <sup>3</sup> $f = 1176\text{ MHz}$	$RL_{OUT}$	9	11	-	dB	VCC=1.2V
		9	11	-	dB	VCC=1.8V
		9	11	-	dB	VCC=2.8V
Reverse isolation <sup>3</sup> $f = 1176\text{ MHz}$	$1/ S_{12} ^2$	30	33	-	dB	VCC=1.2V
		30	34	-	dB	VCC=1.8V
		30	34	-	dB	VCC=2.8V
Inband input 1dB-compression point <sup>3</sup> $f = 1176\text{ MHz}$	$IP_{1dB}$	-17	-14	-	dBm	VCC=1.2V
		-13	-10	-	dBm	VCC=1.8V
		-9	-6	-	dBm	VCC=2.8V
Out of band input 3rd-order intercept point	$IIP_{300B}$	-7	-4.5	-	dBm	VCC=1.2V, $f_1 = 1785\text{ MHz}, f_2 = 2401\text{ MHz},$ $P_1=P_2=-20\text{ dBm}$
		-7.5	-5	-	dBm	VCC=1.8V, $f_1 = 1785\text{ MHz}, f_2 = 2401\text{ MHz},$ $P_1=P_2=-20\text{ dBm}$
		-8	-5.5	-	dBm	VCC=2.8V, $f_1 = 1785\text{ MHz}, f_2 = 2401\text{ MHz},$ $P_1=P_2=-20\text{ dBm}$

<sup>1</sup>Based on application described in chapter 4<sup>2</sup>PCB losses are substrated<sup>3</sup>Verification based on AQL; not 100% tested in production

**Electrical Characteristics****Table 4: Electrical Characteristics at  $T_A = 25\text{ }^\circ\text{C}$ , Standard Mode,  $f = 1164\text{--}1300\text{ MHz}$** 

Parameter <sup>1</sup>	Symbol	Values			Unit	Note / Test Condition
		Min.	Typ.	Max.		
Supply Current	$I_{CC}$	-	2.3	2.4	mA	Standard Mode, VCC=1.8V
		-	-	1	$\mu\text{A}$	OFF Mode
Insertion Power Gain <sup>1</sup> $f = 1176\text{ MHz}$	$ S_{21} ^2$	16.8	17.8	18.8	dB	VCC=1.2V
		16.8	17.9	18.8	dB	VCC=1.8V
		16.8	17.8	18.8	dB	VCC=2.8V
Noise Figure <sup>2</sup> $f = 1176\text{ MHz}$	NF	-	0.8	1.1	dB	VCC=1.2V
		-	0.8	1.1	dB	VCC=1.8V
		-	0.8	1.1	dB	VCC=2.8V
Input return loss <sup>3</sup> $f = 1176\text{ MHz}$	$RL_{IN}$	8	11	-	dB	VCC=1.2V
		7.5	10.5	-	dB	VCC=1.8V
		7.5	10.5	-	dB	VCC=2.8V
Output return loss <sup>3</sup> $f = 1176\text{ MHz}$	$RL_{OUT}$	9	11	-	dB	VCC=1.2V
		9	11	-	dB	VCC=1.8V
		9	11	-	dB	VCC=2.8V
Reverse isolation <sup>3</sup> $f = 1176\text{ MHz}$	$1/ S_{12} ^2$	30	34	-	dB	VCC=1.2V
		30	34	-	dB	VCC=1.8V
		30	34	-	dB	VCC=2.8V
Inband input 1dB-compression point <sup>3</sup> $f = 1176\text{ MHz}$	$IP_{1dB}$	-19	-16.5	-	dBm	VCC=1.2V
		-15	-12	-	dBm	VCC=1.8V
		-11	-8.5	-	dBm	VCC=2.8V
Out of band input 3rd-order intercept point	$IIP_{300B}$	-2	0.5	-	dBm	VCC=1.2V, $f_1 = 1785\text{ MHz}, f_2 = 2401\text{ MHz},$ $P_1=P_2=-20\text{ dBm}$
		-5	-2.5	-	dBm	VCC=1.8V, $f_1 = 1785\text{ MHz}, f_2 = 2401\text{ MHz},$ $P_1=P_2=-20\text{ dBm}$
		-5	-2.5	-	dBm	VCC=2.8V, $f_1 = 1785\text{ MHz}, f_2 = 2401\text{ MHz},$ $P_1=P_2=-20\text{ dBm}$

<sup>1</sup>Based on application described in chapter 4<sup>2</sup>PCB losses are substrated<sup>3</sup>Verification based on AQL; not 100% tested in production

**Electrical Characteristics****Table 5: Electrical Characteristics at  $T_A = 25\text{ }^\circ\text{C}$ , High Gain Mode,  $f = 1164\text{--}1300\text{ MHz}$** 

Parameter <sup>1</sup>	Symbol	Values			Unit	Note / Test Condition
		Min.	Typ.	Max.		
Supply Current	$I_{CC}$	-	3.4	3.6	mA	High Gain Mode, VCC=1.8V
		-	-	1	$\mu\text{A}$	OFF Mode
Insertion Power Gain <sup>1</sup> $f = 1176\text{ MHz}$	$ S_{21} ^2$	18	19	20	dB	VCC=1.2V
		18	19	20	dB	VCC=1.8V
		18	19	20	dB	VCC=2.8V
Noise Figure <sup>2</sup> $f = 1176\text{ MHz}$	NF	-	0.7	1	dB	VCC=1.2V
		-	0.7	1	dB	VCC=1.8V
		-	0.7	1	dB	VCC=2.8V
Input return loss <sup>3</sup> $f = 1176\text{ MHz}$	$RL_{IN}$	9.5	11.5	-	dB	VCC=1.2V
		8.5	10.5	-	dB	VCC=1.8V
		8	10	-	dB	VCC=2.8V
Output return loss <sup>3</sup> $f = 1176\text{ MHz}$	$RL_{OUT}$	8.5	10.5	-	dB	VCC=1.2V
		8.5	10.5	-	dB	VCC=1.8V
		8	10	-	dB	VCC=2.8V
Reverse isolation <sup>3</sup> $f = 1176\text{ MHz}$	$1/ S_{12} ^2$	30	34	-	dB	VCC=1.2V
		30	34	-	dB	VCC=1.8V
		30	34	-	dB	VCC=2.8V
Inband input 1dB-compression point <sup>3</sup> $f = 1176\text{ MHz}$	$IP_{1dB}$	-20	-18	-	dBm	VCC=1.2V
		-16	-14	-	dBm	VCC=1.8V
		-12	-10	-	dBm	VCC=2.8V
Out of band input 3rd-order intercept point	$IIP_{300B}$	-1.5	1	-	dBm	VCC=1.2V, $f_1 = 1785\text{ MHz}, f_2 = 2401\text{ MHz},$ $P_1=P_2=-20\text{ dBm}$
		-1.5	1	-	dBm	VCC=1.8V, $f_1 = 1785\text{ MHz}, f_2 = 2401\text{ MHz},$ $P_1=P_2=-20\text{ dBm}$
		-3	-0.5	-	dBm	VCC=2.8V, $f_1 = 1785\text{ MHz}, f_2 = 2401\text{ MHz},$ $P_1=P_2=-20\text{ dBm}$

<sup>1</sup>Based on application described in chapter 4<sup>2</sup>PCB losses are substrated<sup>3</sup>Verification based on AQL; not 100% tested in production

**Electrical Characteristics****Table 6: Electrical Characteristics at  $T_A = 25\text{ }^\circ\text{C}$ , Low Power Mode,  $f = 1550\text{--}1615\text{ MHz}$** 

Parameter <sup>1</sup>	Symbol	Values			Unit	Note / Test Condition
		Min.	Typ.	Max.		
Supply Current	$I_{CC}$	-	1.5	1.8	mA	Standard Mode, VCC=1.8V
		-	-	1	$\mu\text{A}$	OFF Mode
Insertion Power Gain <sup>1</sup> $f = 1575\text{ MHz}$	$ S_{21} ^2$	13	14	15	dB	VCC=1.2V
		13.5	14.5	15.5	dB	VCC=1.8V
		14	15	16	dB	VCC=2.8V
Noise Figure <sup>2</sup> $f = 1575\text{ MHz}$	NF	-	1	1.3	dB	VCC=1.2V
		-	1	1.3	dB	VCC=1.8V
		-	1	1.3	dB	VCC=2.8V
Input return loss <sup>3</sup> $f = 1575\text{ MHz}$	$RL_{IN}$	8.5	11.5	-	dB	VCC=1.2V
		10.5	13.7	-	dB	VCC=1.8V
		11	14	-	dB	VCC=2.8V
Output return loss <sup>3</sup> $f = 1575\text{ MHz}$	$RL_{OUT}$	11	13	-	dB	VCC=1.2V
		11.5	13.5	-	dB	VCC=1.8V
		12	14	-	dB	VCC=2.8V
Reverse isolation <sup>3</sup> $f = 1575\text{ MHz}$	$1/ S_{12} ^2$	30	36	-	dB	VCC=1.2V
		30	36	-	dB	VCC=1.8V
		30	36	-	dB	VCC=2.8V
Inband input 1dB-compression point <sup>3</sup> $f = 1575\text{ MHz}$	$IP_{1dB}$	-14	-12	-	dBm	VCC=1.2V
		-10.5	-8.5	-	dBm	VCC=1.8V
		-6.5	-4.5	-	dBm	VCC=2.8V
Out of band input 3rd-order intercept point	$IIP_{3OoB}$	-7.5	-5	-	dBm	VCC=1.2V, $f_1 = 1713\text{ MHz}, f_2 = 1850\text{ MHz},$ $P_1=P_2=-20\text{ dBm}$
		-10	-7.5	-	dBm	VCC=1.8V, $f_1 = 1713\text{ MHz}, f_2 = 1850\text{ MHz},$ $P_1=P_2=-20\text{ dBm}$
		-11	-8.5	-	dBm	VCC=2.8V, $f_1 = 1713\text{ MHz}, f_2 = 1850\text{ MHz},$ $P_1=P_2=-20\text{ dBm}$

<sup>1</sup>Based on application described in chapter 4<sup>2</sup>PCB losses are substrated<sup>3</sup>Verification based on AQL; not 100% tested in production

**Electrical Characteristics****Table 7: Electrical Characteristics at  $T_A = 25\text{ °C}$ , Standard Mode,  $f = 1550\text{--}1615\text{ MHz}$** 

Parameter <sup>1</sup>	Symbol	Values			Unit	Note / Test Condition
		Min.	Typ.	Max.		
Supply Current	$I_{CC}$	-	2.3	2.4	mA	Standard Mode, VCC=1.8V
		-	-	1	μA	OFF Mode
Insertion Power Gain <sup>1</sup> $f = 1575\text{ MHz}$	$ S_{21} ^2$	15.5	16.5	17.5	dB	VCC=1.2V
		16	17	18	dB	VCC=1.8V
		16	17	18	dB	VCC=2.8V
Noise Figure <sup>2</sup> $f = 1575\text{ MHz}$	NF	-	0.85	1.15	dB	VCC=1.2V
		-	0.85	1.15	dB	VCC=1.8V
		-	0.85	1.15	dB	VCC=2.8V
Input return loss <sup>3</sup> $f = 1575\text{ MHz}$	$RL_{IN}$	15.5	18.5	-	dB	VCC=1.2V
		16.5	19	-	dB	VCC=1.8V
		16.5	19	-	dB	VCC=2.8V
Output return loss <sup>3</sup> $f = 1575\text{ MHz}$	$RL_{OUT}$	11	13	-	dB	VCC=1.2V
		11.5	13.5	-	dB	VCC=1.8V
		12	14	-	dB	VCC=2.8V
Reverse isolation <sup>3</sup> $f = 1575\text{ MHz}$	$1/ S_{12} ^2$	30	35	-	dB	VCC=1.2V
		30	35	-	dB	VCC=1.8V
		30	35	-	dB	VCC=2.8V
Inband input 1dB-compression point <sup>3</sup> $f = 1575\text{ MHz}$	$IP_{1dB}$	-17	-15	-	dBm	VCC=1.2V
		-13	-11	-	dBm	VCC=1.8V
		-9	-6.7	-	dBm	VCC=2.8V
Out of band input 3rd-order intercept point	$IIP_{300B}$	-7.5	-5	-	dBm	VCC=1.2V, $f_1 = 1713\text{ MHz}, f_2 = 1850\text{ MHz},$ $P_1=P_2=-20\text{ dBm}$
		-5.5	-3	-	dBm	VCC=1.8V, $f_1 = 1713\text{ MHz}, f_2 = 1850\text{ MHz},$ $P_1=P_2=-20\text{ dBm}$
		-7.5	-5	-	dBm	VCC=2.8V, $f_1 = 1713\text{ MHz}, f_2 = 1850\text{ MHz},$ $P_1=P_2=-20\text{ dBm}$

<sup>1</sup>Based on application described in chapter 4<sup>2</sup>PCB losses are substrated<sup>3</sup>Verification based on AQL; not 100% tested in production

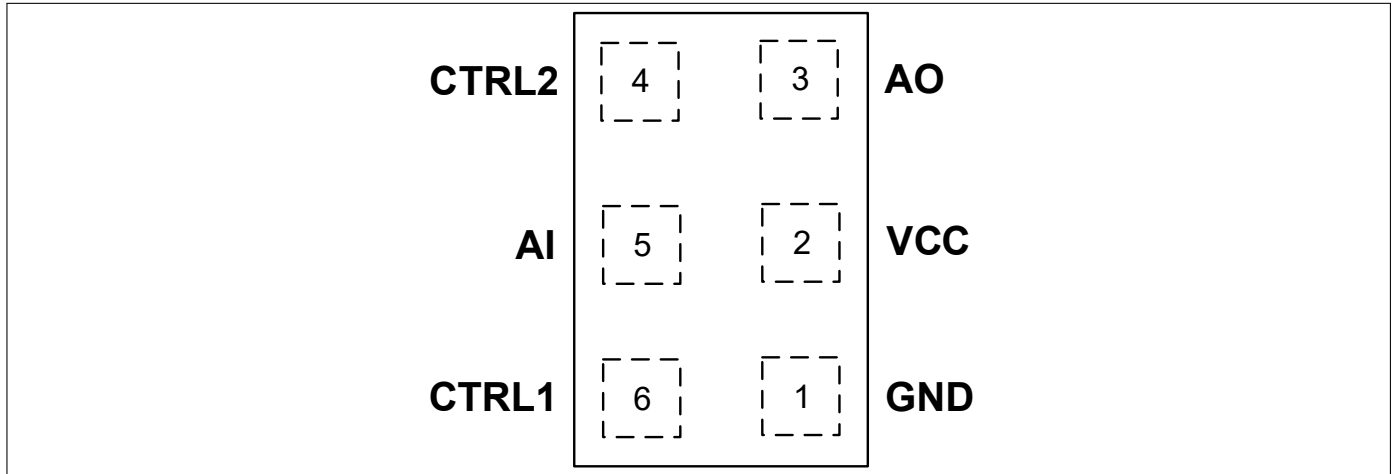
**Electrical Characteristics****Table 8: Electrical Characteristics at  $T_A = 25\text{ }^\circ\text{C}$ , High Gain Mode,  $f = 1550\text{--}1615\text{ MHz}$** 

Parameter <sup>1</sup>	Symbol	Values			Unit	Note / Test Condition
		Min.	Typ.	Max.		
Supply Current	$I_{CC}$	-	3.4	3.6	mA	High Gain Mode, VCC=1.8V
		-	-	1	$\mu\text{A}$	OFF Mode
Insertion Power Gain <sup>1</sup> $f = 1575\text{ MHz}$	$ S_{21} ^2$	17	18	19	dB	VCC=1.2V
		17	18	19	dB	VCC=1.8V
		17.5	18.5	19.5	dB	VCC=2.8V
Noise Figure <sup>2</sup> $f = 1575\text{ MHz}$	NF	-	0.75	1.05	dB	VCC=1.2V
		-	0.75	1.05	dB	VCC=1.8V
		-	0.75	1.05	dB	VCC=2.8V
Input return loss <sup>3</sup> $f = 1575\text{ MHz}$	$RL_{IN}$	12	14	-	dB	VCC=1.2V
		10.5	12.5	-	dB	VCC=1.8V
		10	12	-	dB	VCC=2.8V
Output return loss <sup>3</sup> $f = 1575\text{ MHz}$	$RL_{OUT}$	11	13	-	dB	VCC=1.2V
		11.5	13.5	-	dB	VCC=1.8V
		12	14	-	dB	VCC=2.8V
Reverse isolation <sup>3</sup> $f = 1575\text{ MHz}$	$1/ S_{12} ^2$	30	35	-	dB	VCC=1.2V
		30	35	-	dB	VCC=1.8V
		30	35	-	dB	VCC=2.8V
Inband input 1dB-compression point <sup>3</sup> $f = 1575\text{ MHz}$	$IP_{1dB}$	-18	-16.5	-	dBm	VCC=1.2V
		-16	-14	-	dBm	VCC=1.8V
		-11	-9	-	dBm	VCC=2.8V
Out of band input 3rd-order intercept point	$IIP_{300B}$	-9.5	-7	-	dBm	VCC=1.2V, $f_1 = 1713\text{ MHz}, f_2 = 1850\text{ MHz},$ $P_1=P_2=-20\text{ dBm}$
		-7.5	-5	-	dBm	VCC=1.8V, $f_1 = 1713\text{ MHz}, f_2 = 1850\text{ MHz},$ $P_1=P_2=-20\text{ dBm}$
		-3.5	-1	-	dBm	VCC=2.8V, $f_1 = 1713\text{ MHz}, f_2 = 1850\text{ MHz},$ $P_1=P_2=-20\text{ dBm}$

<sup>1</sup>Based on application described in chapter 4<sup>2</sup>PCB losses are substrated<sup>3</sup>Verification based on AQL; not 100% tested in production

### 3 Application Information

#### Pin Configuration and Function



**Figure 1:** BGA525N6 Pin Configuration (top view)

**Table 9: Pin Definition and Function**

Pin No.	Name	Function
1	GND	Ground
2	VCC	DC Supply
3	AO	LNA Output
4	CTRL2	Control Pin 2
5	AI	LNA Input
6	CTRL1	Control Pin 1

**Table 10: Gain Mode Selection Truth Table**

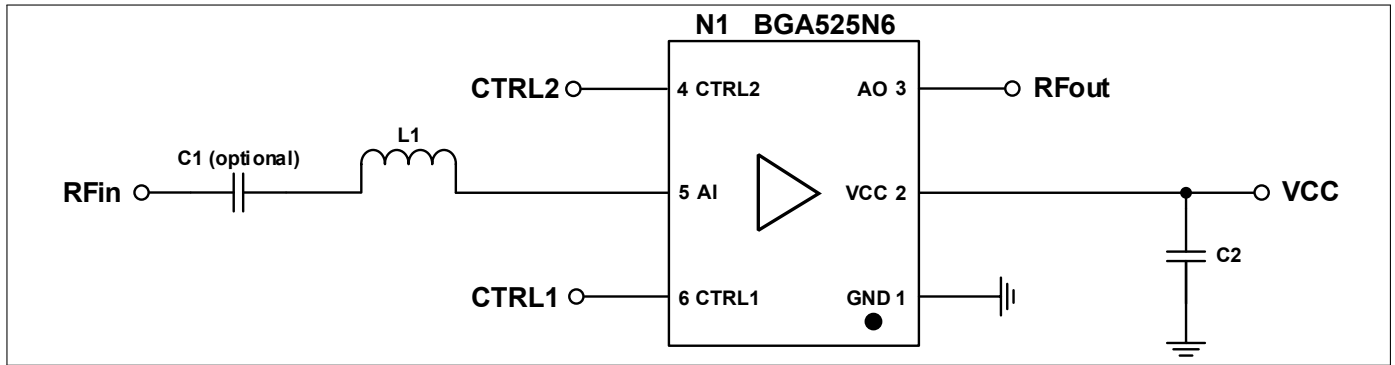
Control Voltage $V_{CTRL1}$	Control Voltage $V_{CTRL2}$	Gain Mode
Low	High	High Gain Mode
High	Low	Standard Mode
High	High	Low Power Mode
Low	Low	OFF Mode

# BGA525N6

## Broadband Low Power LNA for L1/L2/L5 GNSS Applications

### Application Information

### Application Board Configuration



**Figure 2:** BGA525N6 Application Schematic for L1/L2/L5

**Table 11: Bill of Materials Table**

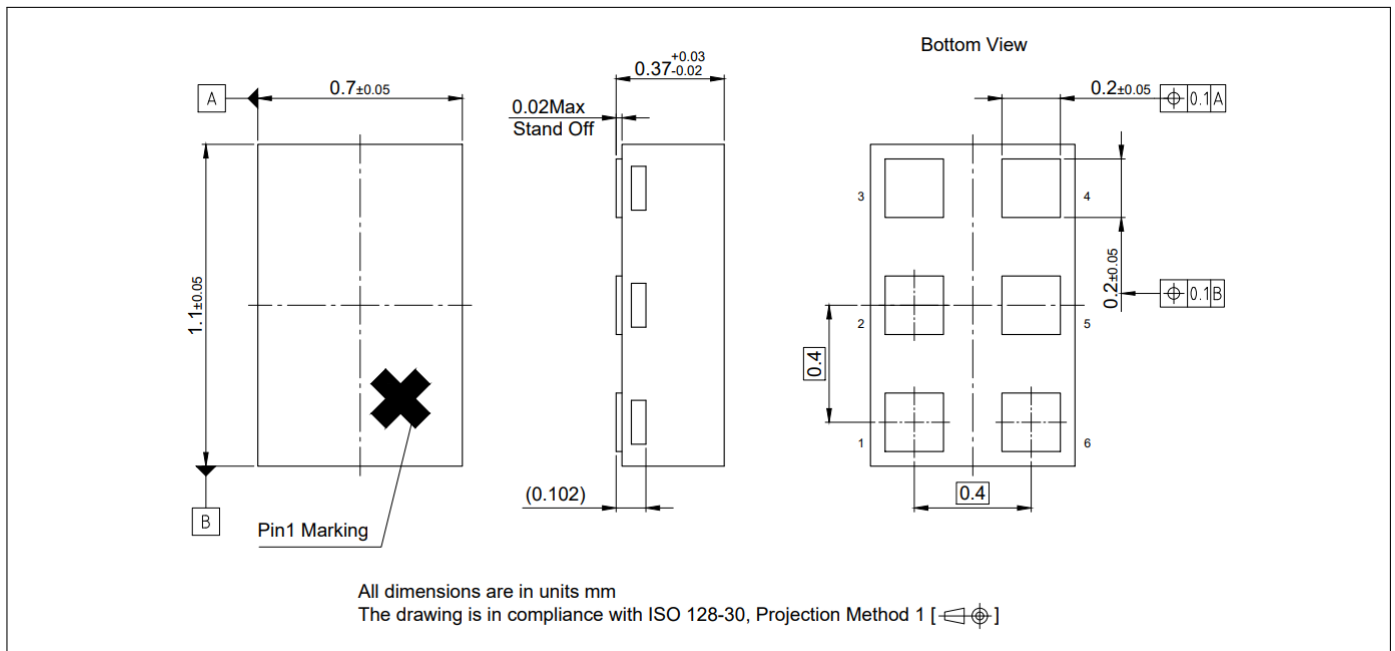
Name	Value	Package	Manufacturer	Function
C1	1nF	0402	Various	DC Block
C2	68pF	0402	Various	bypass <sup>1</sup>
L1	see Matching Table	0402	Murata LQW15 type	Input matching
N1	BGA525N6	PG-TSNP-6-10	Infineon	GNSS LNA

**Table 12: Matching Table**

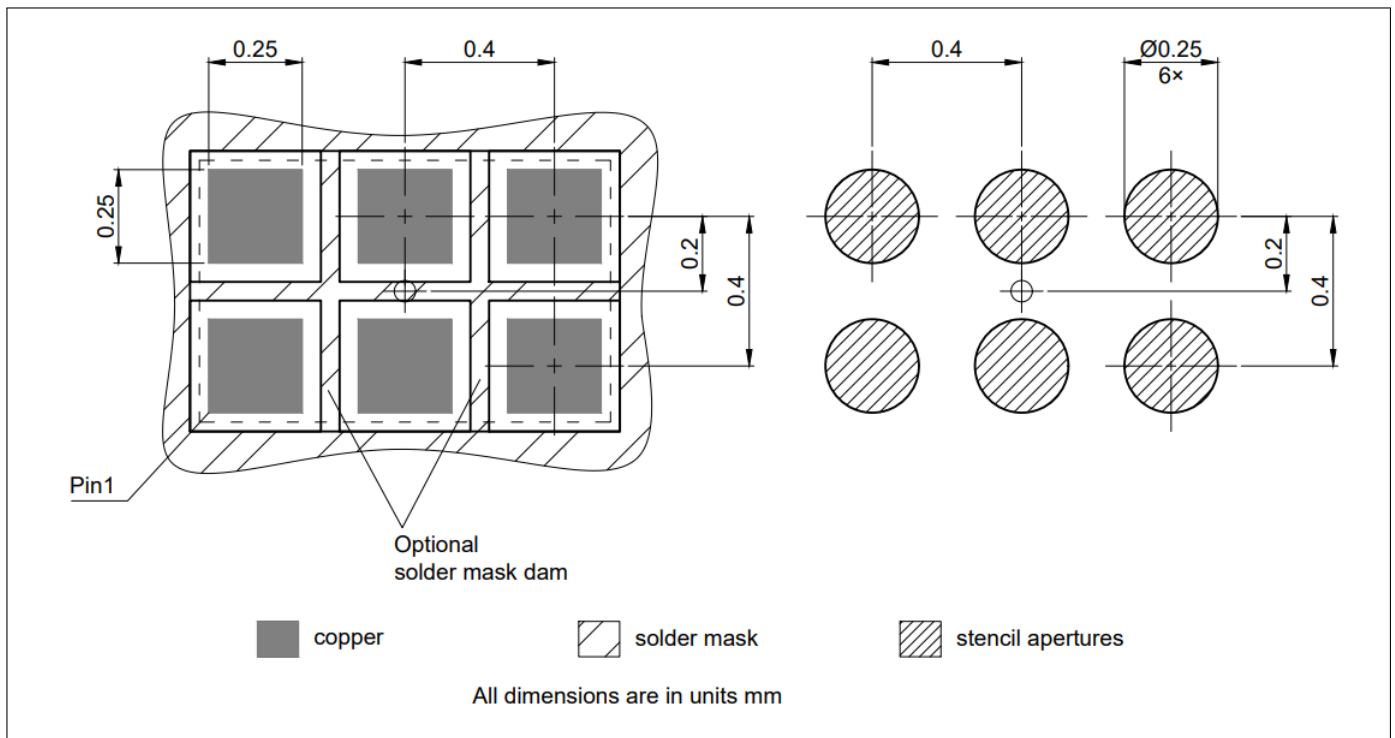
Band	Operation Mode	Matching Inductor
L1 & L2/L5	Low Power - 1.5mA	12 nH
	Standard - 2.3mA	11 nH
	High Power - 3.6mA	10 nH

Package Information

**4 Package Information**

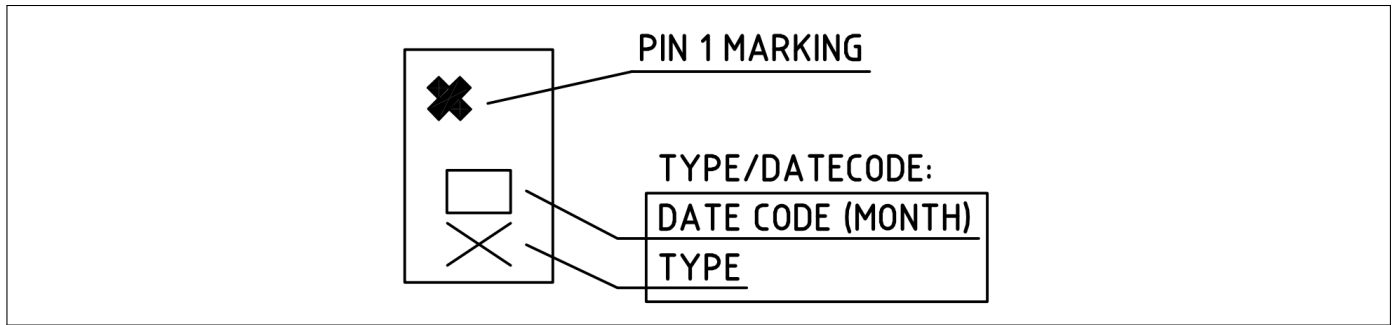


**Figure 3:** PG-TSNP-6-10 Package Outline (0.7mm x 1.1mm x 0.37mm)



**Figure 4:** Footprint Recommendation

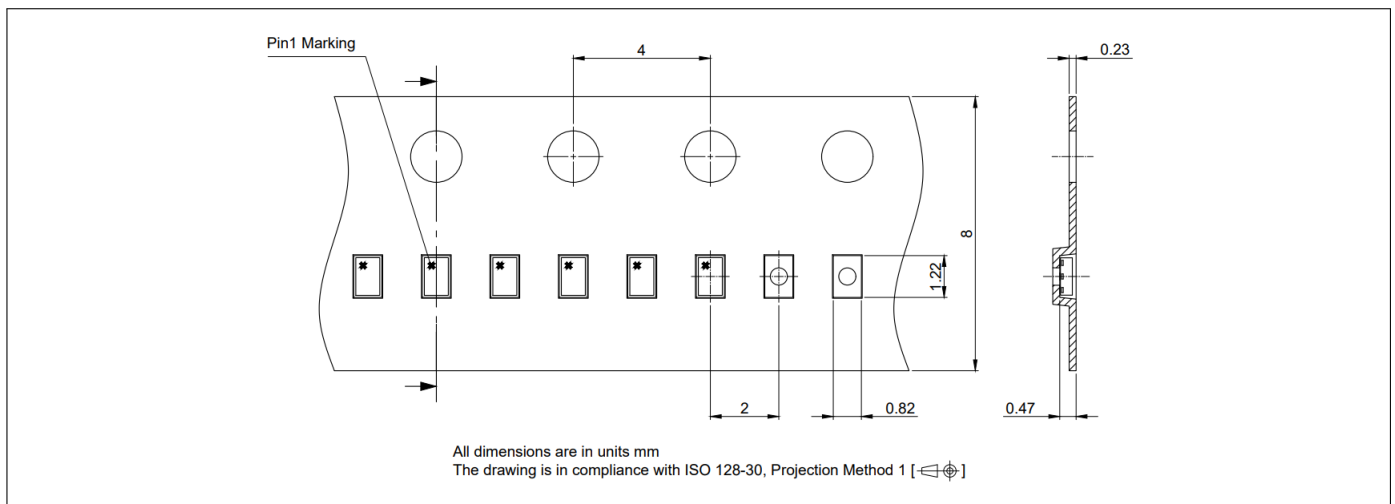
**Package Information**



**Figure 5:** Marking Specification (top view)

**Table 13: Monthly Date Code Marking**

Month	2015	2016	2017	2018	2019	2020	2021	2022	2023	2024	2025	2026
1	a	p	A	P	a	p	A	P	a	p	A	P
2	b	q	B	Q	b	q	B	Q	b	q	B	Q
3	c	r	C	R	c	r	C	R	c	r	C	R
4	d	s	D	S	d	s	D	S	d	s	D	S
5	e	t	E	T	e	t	E	T	e	t	E	T
6	f	u	F	U	f	u	F	U	f	u	F	U
7	g	v	G	V	g	v	G	V	g	v	G	V
8	h	x	H	X	h	x	H	X	h	x	H	X
9	j	y	J	Y	j	y	J	Y	j	y	J	Y
10	k	z	K	Z	k	z	K	Z	k	z	K	Z
11	l	2	L	4	l	2	L	4	l	2	L	4
12	n	3	N	5	n	3	N	5	n	3	N	5



**Figure 6:** PG-TSNP-6-10 Carrier Tape



---

**Revision History**

---

-

Page or Item	Subjects (major changes since previous revision)
<b>Revision 1.0, 2023-05-12</b>	

**Revision History**

	Final Data Sheet Creation

## Trademarks

All referenced product or service names and trademarks are the property of their respective owners.

**Edition 2023-05-12**  
**Published by**  
**Infineon Technologies AG**  
**81726 Munich, Germany**

**© 2023 Infineon Technologies AG.**  
**All Rights Reserved.**

**Do you have a question about any aspect of this document?**  
**Email: [erratum@infineon.com](mailto:erratum@infineon.com)**

**Document reference**  
**Doc\_Number**

## IMPORTANT NOTICE

The information given in this document shall in no event be regarded as a guarantee of conditions or characteristics ("Beschaffenheitsgarantie"). With respect to any examples, hints or any typical values stated herein and/or any information regarding the application of the product, Infineon Technologies hereby disclaims any and all warranties and liabilities of any kind, including without limitation warranties of non-infringement of intellectual property rights of any third party. In addition, any information given in this document is subject to customer's compliance with its obligations stated in this document and any applicable legal requirements, norms and standards concerning customer's products and any use of the product of Infineon Technologies in customer's applications. The data contained in this document is exclusively intended for technically trained staff. It is the responsibility of customer's technical departments to evaluate the suitability of the product for the intended application and the completeness of the product information given in this document with respect to such application.

For further information on technology, delivery terms and conditions and prices, please contact the nearest Infineon Technologies Office ([www.infineon.com](http://www.infineon.com)).



## WARNINGS

Due to technical requirements products may contain dangerous substances. For information on the types in question please contact your nearest Infineon Technologies office.

Except as otherwise explicitly approved by Infineon Technologies in a written document signed by authorized representatives of Infineon Technologies, Infineon Technologies products may not be used in any applications where a failure of the product or any consequences of the use thereof can reasonably be expected to result in personal injury.

## Looking for pricing, stock, or lifecycle information?

Click below to explore more details on WIN SOURCE:

-  [View BGA525N6E6327XTSA1 on WIN SOURCE](#)
-  [Infineon Technologies Information](#)

## Optimize Your Supply Chain with WIN SOURCE Solutions

-  Global Sourcing Solution
-  Obsolete Management
-  Cost Control Management
-  Shortage Management
-  Alternative Solution
-  Excess Inventory Management