



**THE DATASHEET OF  
BTT3050EJXUMA1**



**Features**

- Single channel device optimized for 24 V applications
- Electrostatic discharge protection (ESD)
- Overcurrent, active clamping and overtemperature protection
- Overtemperature latch shutdown
- Supply pin undervoltage protection
- Dedicated status signal
- Slew-rate control to adjust switching speed
- PWM switching capability of 20 KHz (duty cycle 10%-90%)
- Green product (RoHS compliant)
- AEC qualified



**Potential applications**

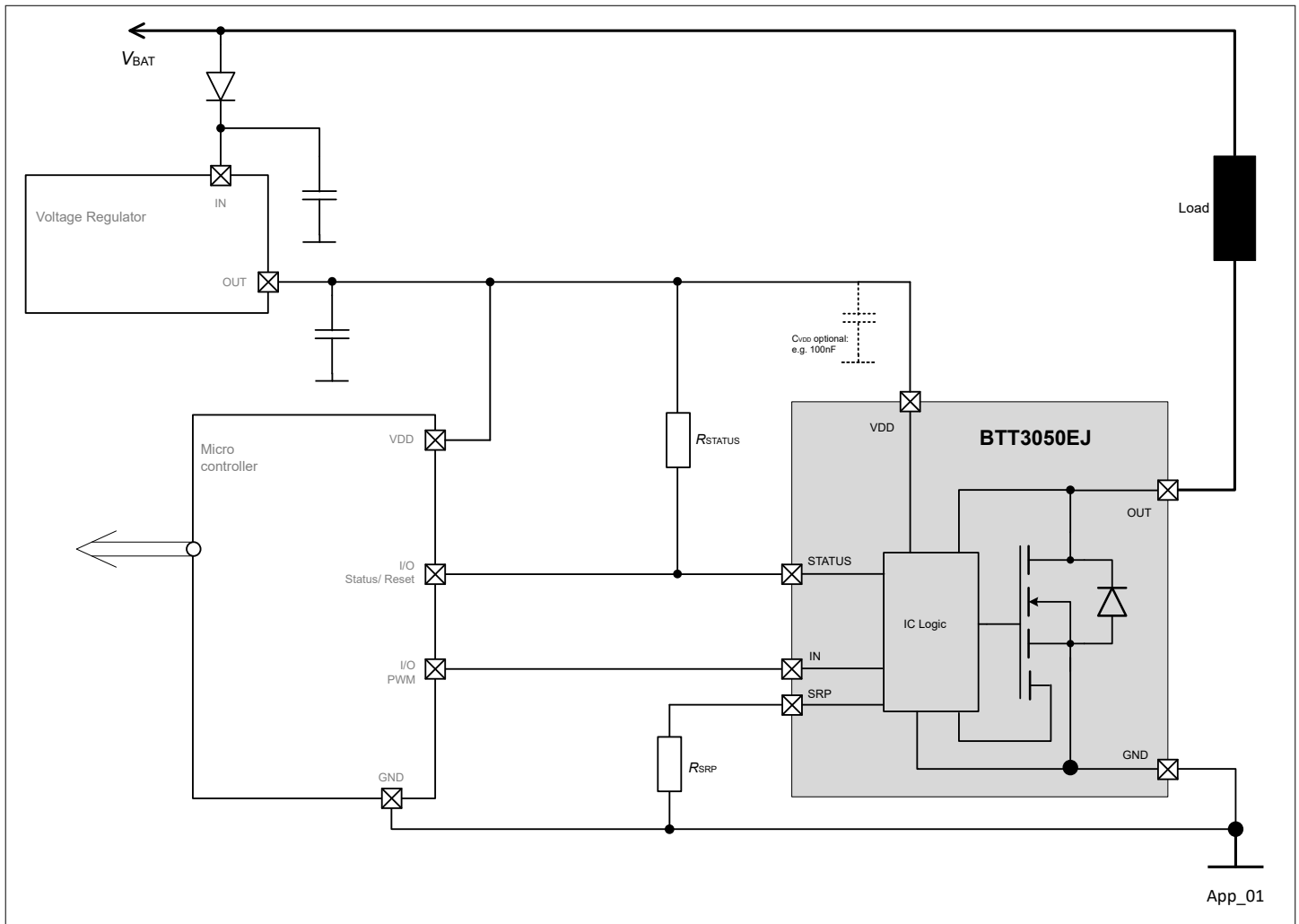
Suitable for resistive and inductive loads.

**Product validation**

Qualified for automotive applications. Product validation according to AEC-Q100.

**Description**

BTT3050EJ is a 50 mΩ single channel smart low-side power switch within a PG-TDSO-8 package providing embedded protective functions. The power transistor is built by a N-channel vertical power MOSFET. BTT3050EJ is monolithically integrated, automotive qualified and optimized for 24 V automotive applications.



# HITFET™ +24V BTT3050EJ

## Smart low-side power switch



### Description

**Table 1** Product summary

| Parameter                  | Symbol          | Values        |
|----------------------------|-----------------|---------------|
| Operating voltage range    | $V_{OUT}$       | 0 ... 36 V    |
| Maximum load voltage       | $V_{BAT(OUT)}$  | 63 V          |
| ON-state resistance        | $R_{DS(ON)_25}$ | 50 m $\Omega$ |
| Nominal load current       | $I_{L(NOM)}$    | 4 A           |
| Minimum current limitation | $I_{L(LIM)}$    | 10 A          |

| Product type | Package   | Marking | Ordering code  |
|--------------|-----------|---------|----------------|
| BTT3050EJ    | PG-TDSO-8 | T3050EJ | BTT3050EJXUMA1 |

## Table of contents

|          |  |    |
|----------|--|----|
|          | <b>Features</b> .....                                    | 1  |
|          | <b>Potential applications</b> .....                      | 1  |
|          | <b>Product validation</b> .....                          | 1  |
|          | <b>Description</b> .....                                 | 1  |
|          | <b>Table of contents</b> .....                           | 3  |
| <b>1</b> | <b>Block diagram</b> .....                               | 5  |
| <b>2</b> | <b>Pin configuration</b> .....                           | 6  |
| <b>3</b> | <b>General product characteristics</b> .....             | 7  |
| 3.1      | Absolute maximum ratings .....                           | 7  |
| 3.2      | Functional range .....                                   | 8  |
| 3.3      | Thermal resistance .....                                 | 9  |
| 3.4      | Transient thermal impedance .....                        | 10 |
| <b>4</b> | <b>Power stage</b> .....                                 | 11 |
| 4.1      | Output on-state resistance .....                         | 11 |
| 4.2      | Resistive load output timing .....                       | 12 |
| 4.3      | Adjustable switching speed and slewrate .....            | 12 |
| 4.3.1    | Output clamping .....                                    | 14 |
| 4.3.2    | Maximum load inductance .....                            | 15 |
| 4.4      | Reverse current capability .....                         | 16 |
| 4.5      | Characteristics .....                                    | 16 |
| <b>5</b> | <b>Diagnostics</b> .....                                 | 17 |
| 5.1      | Functional description of the STATUS pin .....           | 17 |
| 5.2      | Characteristics .....                                    | 17 |
| <b>6</b> | <b>Supply and input stage</b> .....                      | 18 |
| 6.1      | Supply circuit .....                                     | 18 |
| 6.1.1    | Undervoltage shutdown .....                              | 18 |
| 6.1.2    | Supply current consumption .....                         | 18 |
| 6.2      | Characteristics .....                                    | 19 |
| <b>7</b> | <b>Protection functions</b> .....                        | 20 |
| 7.1      | Overvoltage clamping on output .....                     | 20 |
| 7.2      | Thermal protection .....                                 | 20 |
| 7.3      | Overcurrent limitation and short circuit behavior .....  | 20 |
| 7.4      | Reset latch condition .....                              | 20 |
| 7.4.1    | Reset via STATUS pin .....                               | 20 |
| 7.4.2    | Reset via STATUS pin and IN pin connected together ..... | 21 |
| 7.5      | Characteristics .....                                    | 22 |

|           |   |           |
|-----------|---|-----------|
| <b>8</b>  | <b>Electrical characteristics</b> .....         | <b>23</b> |
| 8.1       | Power stage .....                               | 23        |
| 8.2       | Protection .....                                | 24        |
| 8.3       | Supply and input stage .....                    | 25        |
| 8.4       | Diagnostics .....                               | 26        |
| <b>9</b>  | <b>Characterization results</b> .....           | <b>28</b> |
| 9.1       | Power stage .....                               | 28        |
| 9.2       | Protection .....                                | 34        |
| 9.3       | Supply and input stage .....                    | 36        |
| <b>10</b> | <b>Application information</b> .....            | <b>42</b> |
| 10.1      | Layout recommendations and considerations ..... | 42        |
| 10.2      | Application diagrams .....                      | 42        |
| <b>11</b> | <b>Package</b> .....                            | <b>45</b> |
|           | <b>Revision history</b> .....                   | <b>46</b> |
|           | <b>Disclaimer</b> .....                         | <b>47</b> |

# 1 Block diagram

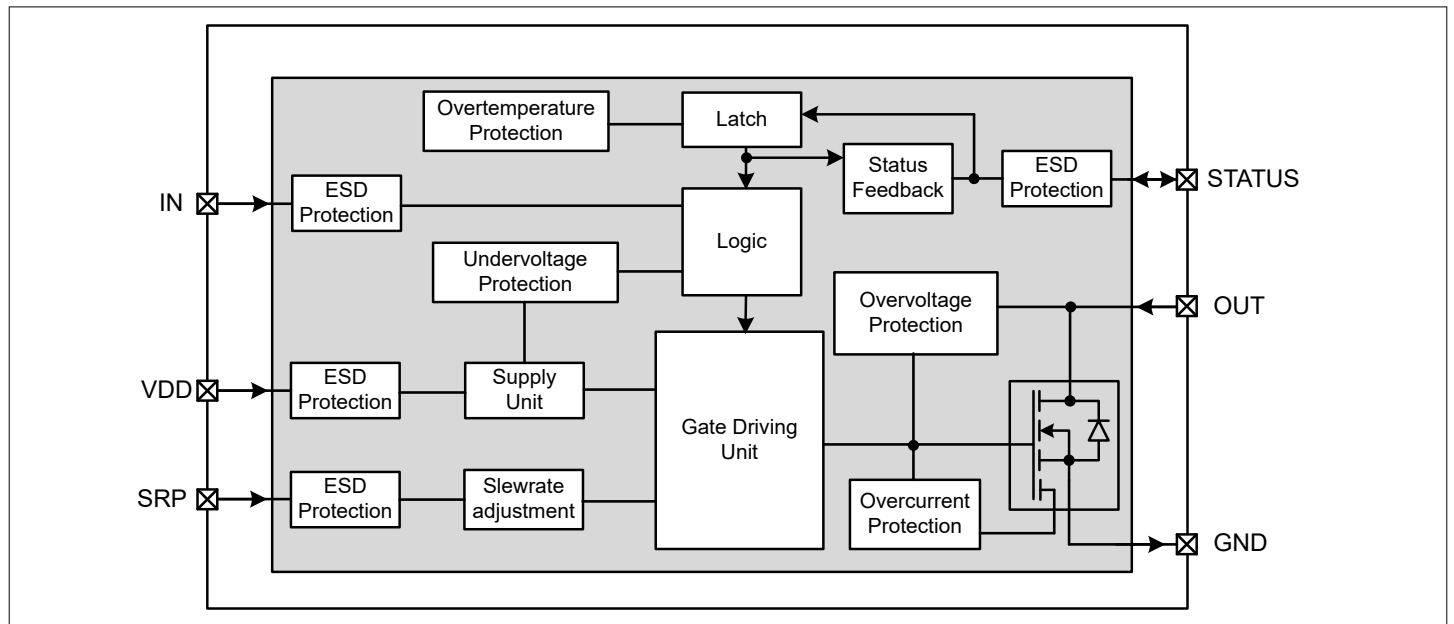
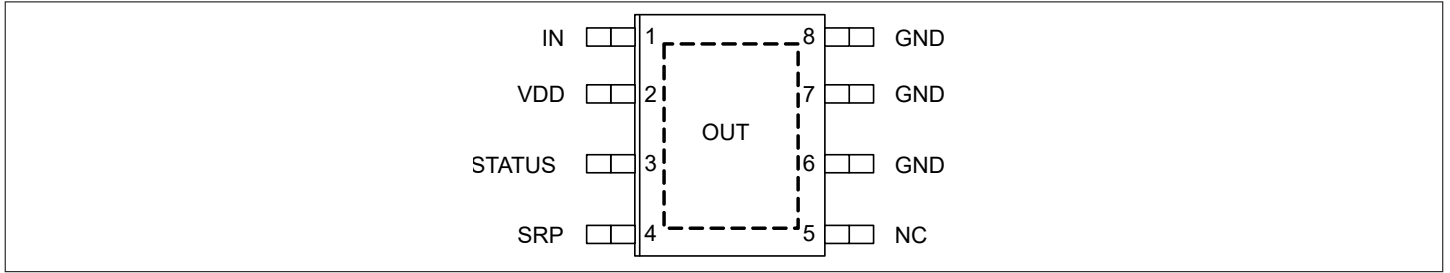


Figure 1 Block diagram of BTT3050EJ

## 2 Pin configuration

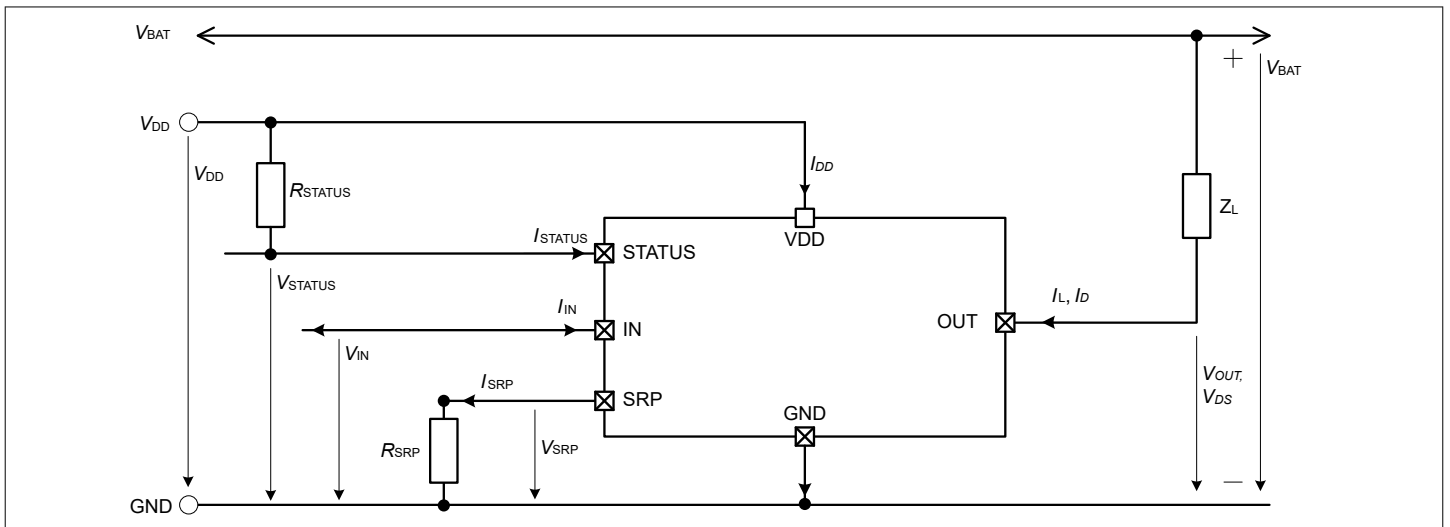


**Figure 2** Pin configuration

**Table 2** Pin definitions and functions

| Pin         | Symbol | I/O | Function  |
|-------------|--------|-----|---|
| 1           | IN     | I   | If IN logic is high, switches ON the power DMOS<br>If IN logic is low, switches OFF the power DMOS  |
| 2           | VDD    | I   | Logic supply voltage pin, 3.3 V to 5.5 V  |
| 3           | STATUS | I/O | RESET thermal latch function by microcontroller and pull-up<br>If STATUS logic is high, device is in normal operation<br>If STATUS logic is low, device is in overtemperature condition |
| 4           | SRP    | I   | Slew rate control with external resistor  |
| 5           | NC     | –   | Pin internally not connected  |
| 6,7,8       | GND    | I/O | GND; source of power DMOS and logic <sup>1)</sup>   |
| Cooling Tab | OUT    | I/O | Load connection, drain of power DMOS  |

1) All GND pins must be connected together



**Figure 3** Naming definition of electrical parameters

### 3 General product characteristics

#### 3.1 Absolute maximum ratings

**Table 3 Absolute maximum ratings**

<sup>1)</sup>  $T = -40^{\circ}\text{C}$  to  $+150^{\circ}\text{C}$ ; all voltages with respect to ground, positive current flowing into pin (unless otherwise specified)

| Parameter   | Symbol                      | Values |      |                     | Unit               | Note or condition  | P-Number |
|---|-----------------------------|--------|------|---------------------|--------------------|--|----------|
|   |                             | Min.   | Typ. | Max.                |                    |  |          |
| <b>Output voltages</b>  |                             |        |      |                     |                    |  |          |
| Output voltage  | $V_{\text{OUT}}$            | -0.3   | –    | 63                  | V                  | Internally clamped   | PRQ-296  |
| Battery voltage for short circuit protection (extended range) | $V_{\text{BAT(SC)}}$        | -0.3   | –    | 36                  | V                  | $V_{\text{IN}} = 5\text{ V}$ ; $T_{\text{A}} = 25^{\circ}\text{C}, 125^{\circ}\text{C}$ (3 samp./temp.);<br>$R_{\text{ECU}}$ (pin OUT) = 20 m $\Omega$ ;<br>$R_{\text{CABLE}}$ (pin OUT) = 16 m $\Omega$ ;<br>$L_{\text{CABLE}}$ (pin OUT) = 1 $\mu\text{H}/\text{m}$ ;<br>$L_{\text{SC}}$ (pin OUT) = 5 $\mu\text{H} + L_{\text{cable}}$ ;<br>$l = 40\text{ m}$ | PRQ-297  |
| <b>Power stage</b>  |                             |        |      |                     |                    |  |          |
| Load current  | $I_{\text{L}}$              | 0      | –    | $I_{\text{L(LIM)}}$ | A                  | –  | PRQ-298  |
| <b>Logic pins</b>   |                             |        |      |                     |                    |  |          |
| Input voltage   | $V_{\text{IN}}$             | -0.3   | –    | 5.5                 | V                  | –  | PRQ-299  |
| Status voltage  | $V_{\text{STATUS}}$         | -0.3   | –    | 5.5                 | V                  | –  | PRQ-300  |
| SRP voltage   | $V_{\text{SRP}}$            | -0.3   | –    | 5.5                 | V                  | –  | PRQ-301  |
| Supply voltage  | $V_{\text{DD}}$             | -0.3   | –    | 6.5                 | V                  | –  | PRQ-302  |
| <b>Energy capability</b>                                      |                             |        |      |                     |                    |  |          |
| Energy single pulse   | $E_{\text{AS}}$             | –      | –    | 100                 | mJ                 | $I_{\text{L}(0)} = I_{\text{L(NOM)}}$ ; $V_{\text{BAT}} = 28\text{ V}$ ; $T_{\text{J}(0)} = 150^{\circ}\text{C}$   | PRQ-303  |
| Energy repetitive pulse<br>20 M cycles                        | $E_{\text{AR}(20\text{M})}$ | –      | –    | 50                  | mJ                 | $I_{\text{L}(0)} = I_{\text{L(NOM)}}$ ; $V_{\text{BAT}} = 28\text{ V}$ ; $T_{\text{J}(0)} = 105^{\circ}\text{C}$   | PRQ-306  |
| <b>Temperatures</b>   |                             |        |      |                     |                    |  |          |
| Junction temperature  | $T_{\text{J}}$              | -40    | –    | 150                 | $^{\circ}\text{C}$ | –  | PRQ-308  |
| Storage temperature   | $T_{\text{STG}}$            | -55    | –    | 150                 | $^{\circ}\text{C}$ | –  | PRQ-309  |
| <b>ESD susceptibility</b>                                     |                             |        |      |                     |                    |  |          |
| ESD susceptibility (all pins except OUT tab, to GND)          | $V_{\text{ESD}}$            | -2     | –    | 2                   | kV                 | <sup>2)</sup><br>HBM   | PRQ-310  |
| ESD susceptibility (OUT tab to GND)                           | $V_{\text{ESD\_OUT}}$       | -4     | –    | 4                   | kV                 | <sup>2)</sup><br>HBM   | PRQ-311  |

(table continues...)

**Table 3 (continued) Absolute maximum ratings**

<sup>1)</sup>  $T = -40^{\circ}\text{C}$  to  $+150^{\circ}\text{C}$ ; all voltages with respect to ground, positive current flowing into pin (unless otherwise specified)

| Parameter                        | Symbol                 | Values |      |      | Unit | Note or condition    | P-Number |
|----------------------------------|------------------------|--------|------|------|------|----------------------|----------|
|                                  |                        | Min.   | Typ. | Max. |      |                      |          |
| ESD susceptibility (all pins)    | $V_{\text{ESD\_CDMA}}$ | -500   | –    | 500  | V    | <sup>3)</sup><br>CDM | PRQ-312  |
| ESD susceptibility (corner pins) | $V_{\text{ESD\_CDMC}}$ | -750   | –    | 750  | V    | <sup>3)</sup><br>CDM | PRQ-313  |

<sup>1)</sup> Not subject to production test, specified by design

<sup>2)</sup> ESD susceptibility, HBM according to ANSI/ESDA/JEDEC JS001 (1.5 k $\Omega$ , 100 pF)

<sup>3)</sup> ESD susceptibility, Charged Device Model "CDM" according JEDEC JESD22-C101

Notes:

- Stresses above the ones listed here may cause permanent damage to the device. Exposure to absolute maximum rating conditions for extended periods may affect device reliability.
- Integrated protection functions are designed to prevent IC destruction under fault conditions described in the datasheet. Fault conditions are considered as outside normal operating range. Protection functions are not designed for continuous repetitive operation.

## 3.2 Functional range

**Table 4 Functional range**

| Parameter  | Symbol                | Values |      |      | Unit               | Note or condition  | P-Number |
|--|-----------------------|--------|------|------|--------------------|--|----------|
|  |                       | Min.   | Typ. | Max. |                    |  |          |
| Battery voltage range for nominal operation                | $V_{\text{BAT(NOR)}}$ | 6      | –    | 36   | V                  | <sup>1)</sup>  | PRQ-314  |
| Supply voltage range for nominal operation                 | $V_{\text{DD(NOR)}}$  | 3.3    | –    | 5.5  | V                  | <sup>1)</sup>  | PRQ-316  |
| Supply voltage range for extended_1 operation              | $V_{\text{DD(EXT1)}}$ | 3.0    | –    | 5.5  | V                  | <sup>1)</sup><br>Parameter deviations possible                                     | PRQ-315  |
| Supply voltage range for extended_2 operation              | $V_{\text{DD(EXT2)}}$ | 5.5    | –    | 6.5  | V                  | <sup>1)</sup><br>$V_{\text{BAT}} < 46\text{ V}$ ;<br>Parameter deviations possible | PRQ-551  |
| Junction temperature                                       | $T_{\text{J}}$        | -40    | –    | 150  | $^{\circ}\text{C}$ | <sup>1)</sup>  | PRQ-318  |
| External resistor range for adjustable slewrates operation | $R_{\text{SRP}}$      | 2.2    | –    | 160  | k $\Omega$         | <sup>1)</sup>  | PRQ-319  |

<sup>1)</sup> Not subject to production test, specified by design

Note: Within the functional or operating range, the IC operates as described in the circuit description. The electrical characteristics are specified within the conditions given in the Electrical characteristics table.

### 3.3 Thermal resistance

**Table 5 Thermal resistance**

| Parameter  | Symbol           | Values |      |      | Unit | Note or condition | P-Number |
|--|------------------|--------|------|------|------|-------------------|----------|
|  |                  | Min.   | Typ. | Max. |      |                   |          |
| Junction to case                                       | $R_{thJC}$       | –      | 3.0  | –    | K/W  | 1)<br>2)          | PRQ-320  |
| Junction to ambient<br>2s2p                            | $R_{thJA(2s2p)}$ | –      | 35   | –    | K/W  | 1)<br>3)          | PRQ-321  |
| Junction to ambient<br>(1s0p + 600 mm <sup>2</sup> Cu) | $R_{thJA(1s0p)}$ | –      | 45   | –    | K/W  | 1)<br>4)          | PRQ-322  |

1) Not subject to production test, specified by design

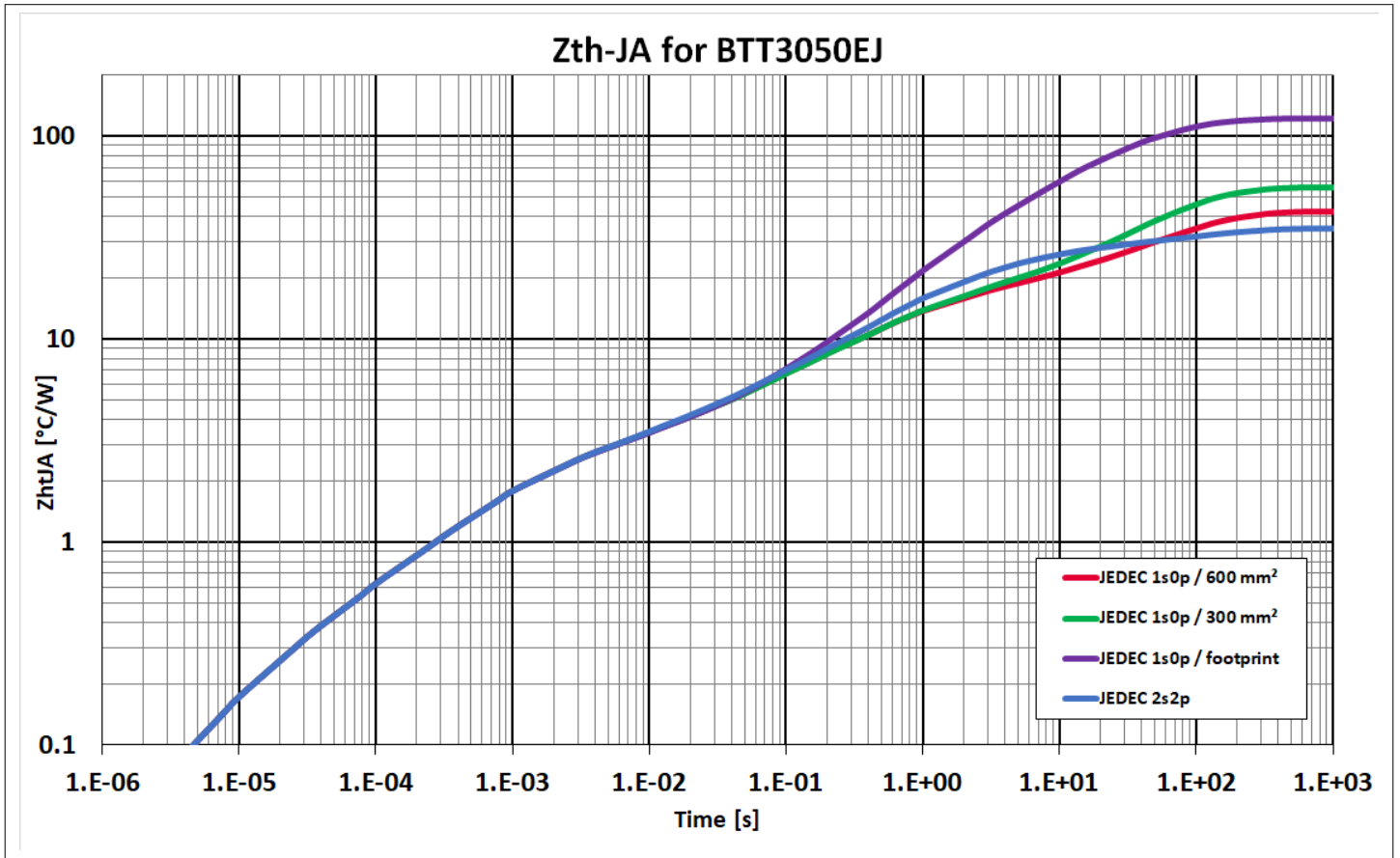
2) Specified  $R_{thJC}$  value is simulated at natural convection on a cold plate setup. Bottom of the package is fixed to ambient temperature.  $T_{AMB} = 85^{\circ}\text{C}$ . Device loaded with 1 W power.

3) Specified  $R_{thJA}$  value is according to Jecdec JESD51-2, -7 at natural convection of FR4 2s2p board; the product (chip + package) was simulated on a 76.2 x 114.3 x 1.5 mm board with 2 inner copper layers (2 x 70  $\mu\text{m}$  Cu, 2 x 35  $\mu\text{m}$  Cu).  $T_{AMB} = 85^{\circ}\text{C}$ . Device loaded with 1 W power.

4) Specified  $R_{thJA}$  value is according to Jecdec JESD51-2, -7 at natural convection on FR4 1s0p board; the product (chip + package) was simulated on a 76.2 x 114.3 x 1.5 mm board with additional heatspreading copper area of 600 m<sup>2</sup> and 70  $\mu\text{m}$  thickness.  $T_{AMB} = 85^{\circ}\text{C}$ . Device loaded with 1 W power.

Note: This thermal data was generated in accordance with JEDEC JESD51 standards. For more information, go to [www.jedec.org](http://www.jedec.org).

### 3.4 Transient thermal impedance



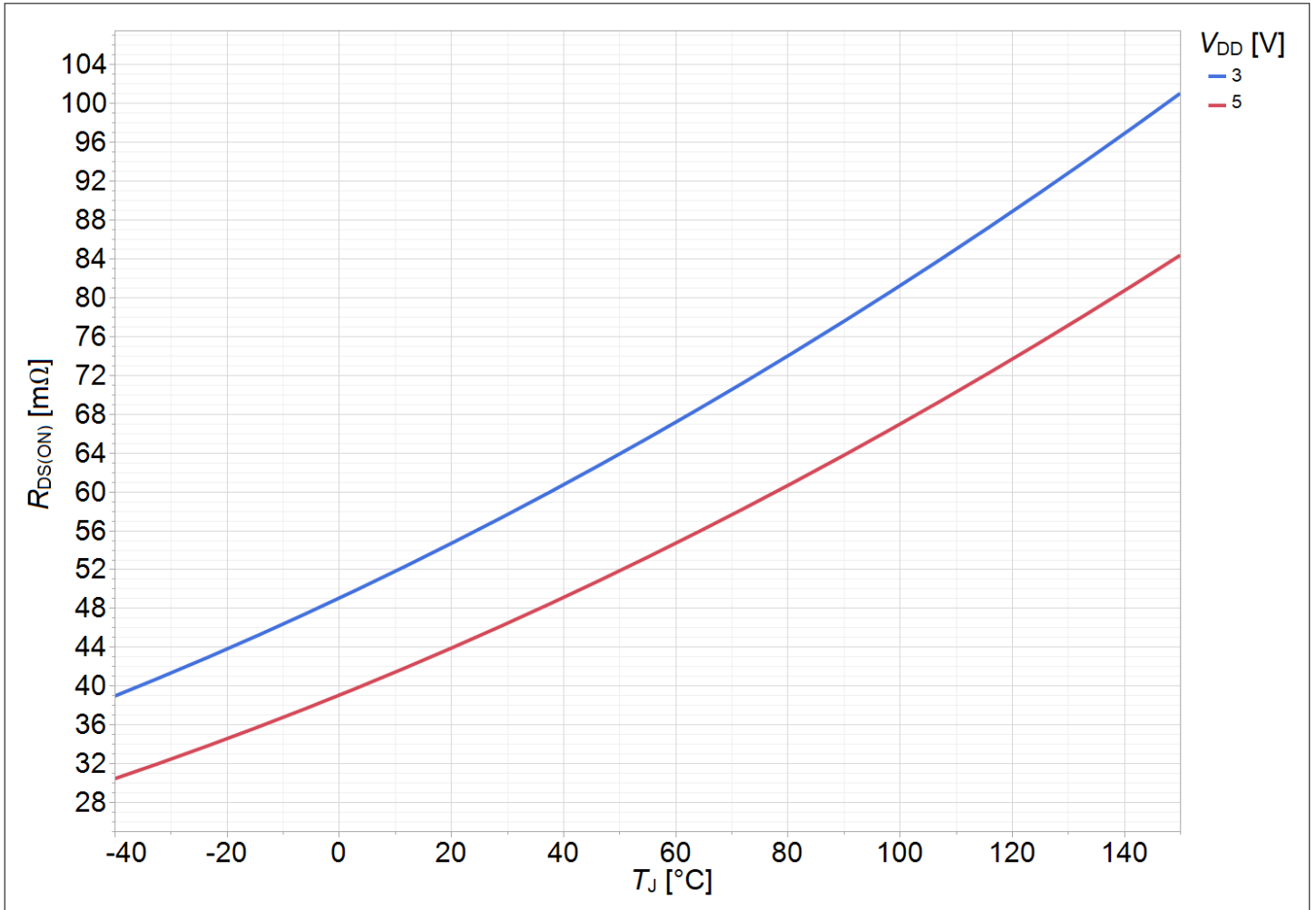
**Figure 4**  $Z_{thJA} = f(t_p)$

Typical transient thermal impedance  $Z_{thJA} = f(t_p)$ ,  $T_A = 85^\circ\text{C}$ .

In [Figure 4](#) the value is according to Jecdec JESD51-2, at natural convection on FR4 boards. Where applicable a thermal via array under the exposed pad contacted the first inner copper layer. The device is dissipating 1 W power.

## 4 Power stage

### 4.1 Output on-state resistance

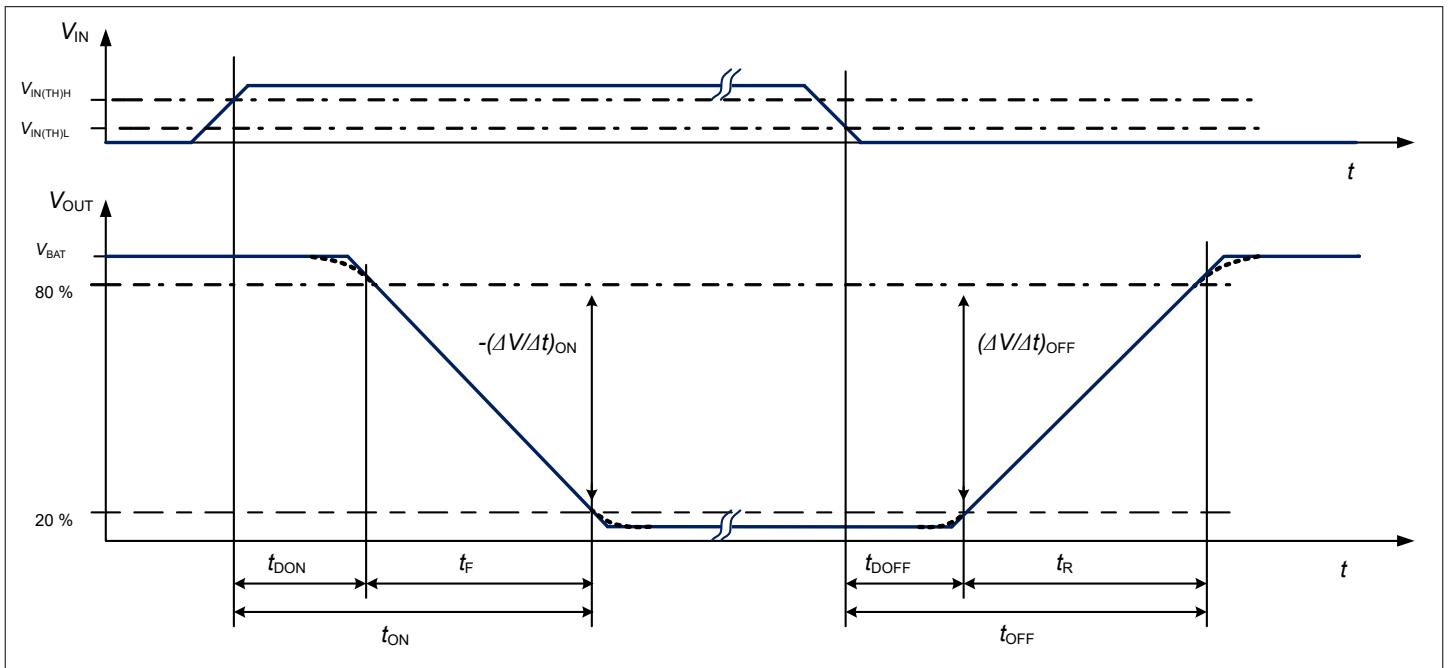


**Figure 5** Typical on-state resistance  $R_{DS(ON)} = f(T_J)$ ;  $V_{DD} = V_{IN} = 5V, 3V$

Figure to be updated.

The on-state resistance depends on the supply voltage ( $V_{DD}$ ) as well as on the junction temperature ( $T_J$ ). [Figure 5](#) shows these dependencies in terms of temperature and voltage for the typical on-state resistance  $R_{DS(ON)}$ . The behavior in reverse polarity is described in [Reverse current capability](#).

## 4.2 Resistive load output timing



**Figure 6** Definition of power output timing for resistive load

Figure 6 shows the typical timing when switching a resistive load.

Both  $-(\Delta V/\Delta t)_{ON}$  and  $(\Delta V/\Delta t)_{OFF}$  can be calculated using the following formulas:

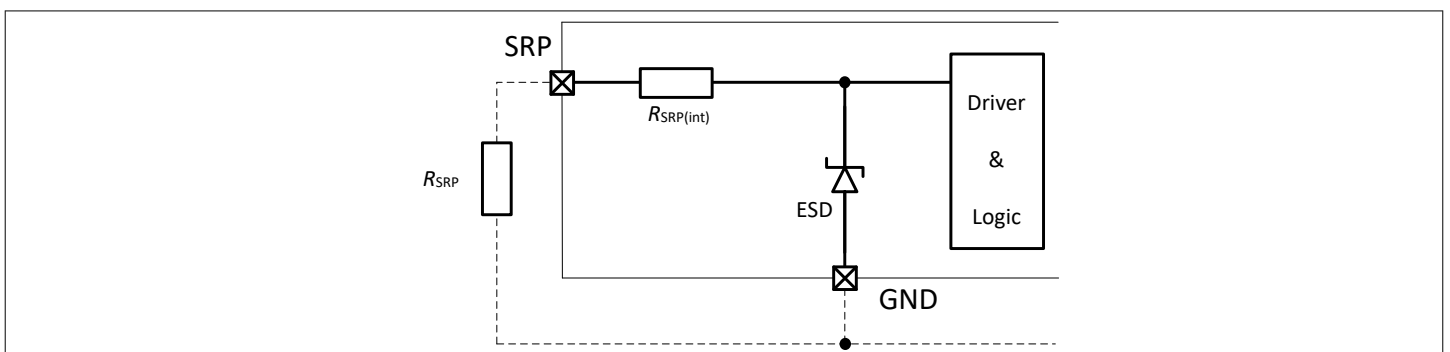
- Turn-on slew rate:  $-(\Delta V/\Delta t)_{ON} = (0.6 \times V_{BAT}) / t_F$
- Turn-off slew rate:  $(\Delta V/\Delta t)_{OFF} = (0.6 \times V_{BAT}) / t_R$

**NB:** the coefficient 0.6 is based on 20% to 80% of  $V_{BAT}$ , this is how the measurement of  $\Delta V$  is defined.

As shown in Figure 6  $t_{ON}$  and  $t_{OFF}$  can be calculated from delay time ( $t_{DON}$ ,  $t_{DOFF}$ ) and falling/rising time ( $t_F$ ,  $t_R$ ) using the following formulas:

- Turn-on time:  $t_{ON} = t_{DON} + t_F$
- Turn-off time:  $t_{OFF} = t_{DOFF} + t_R$

## 4.3 Adjustable switching speed and slewrate



**Figure 7** Simplified SRP circuit

Figure 7 shows the slew rate control circuit of BTT3050EJ. The circuit includes an ESD protection mechanism via a zener structure.

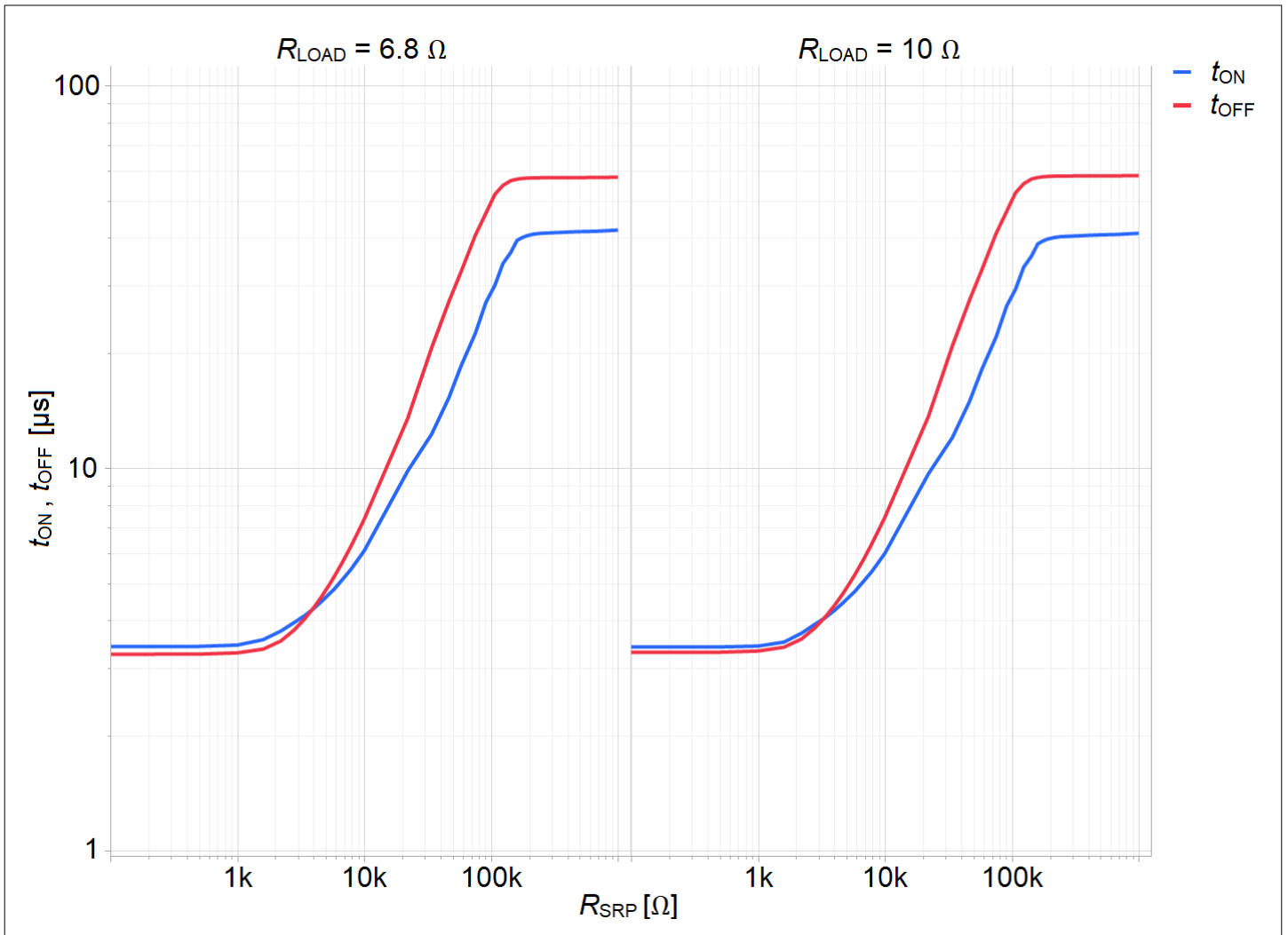
In order to optimize the switching speed of the MOSFET to a specific application, an external resistor can be connected between SRP pin and GND to select the desired slew rate (see switching timings in [Power stage](#)). The adjustment of the slew rate also allows to balance between electromagnetic emissions and power dissipation.

To reduce the number of external components, the SRP pin can be connected directly to GND. This sets the slew rate at its largest value enabling fast switching timings.

It is not recommended to connect directly SRP pin to  $V_{DD}$  or to leave it floating (open).

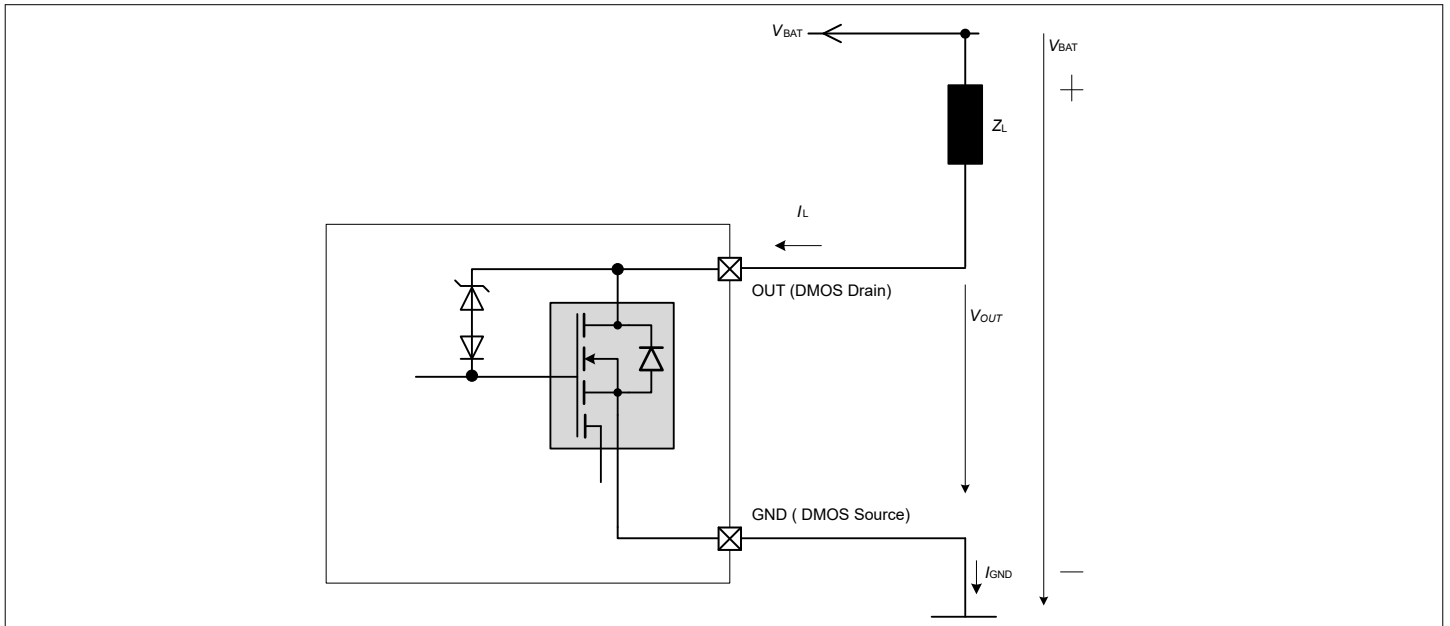
The accuracy of the switching speed is dependent on the accuracy of the external resistor used. It is recommended to use short connections between the SRP pin and either  $R_{SRP}$ , GND bias.

Figure 8 shows the typical relation between switching speed and the external SRP resistor ( $R_{SRP}$ ).

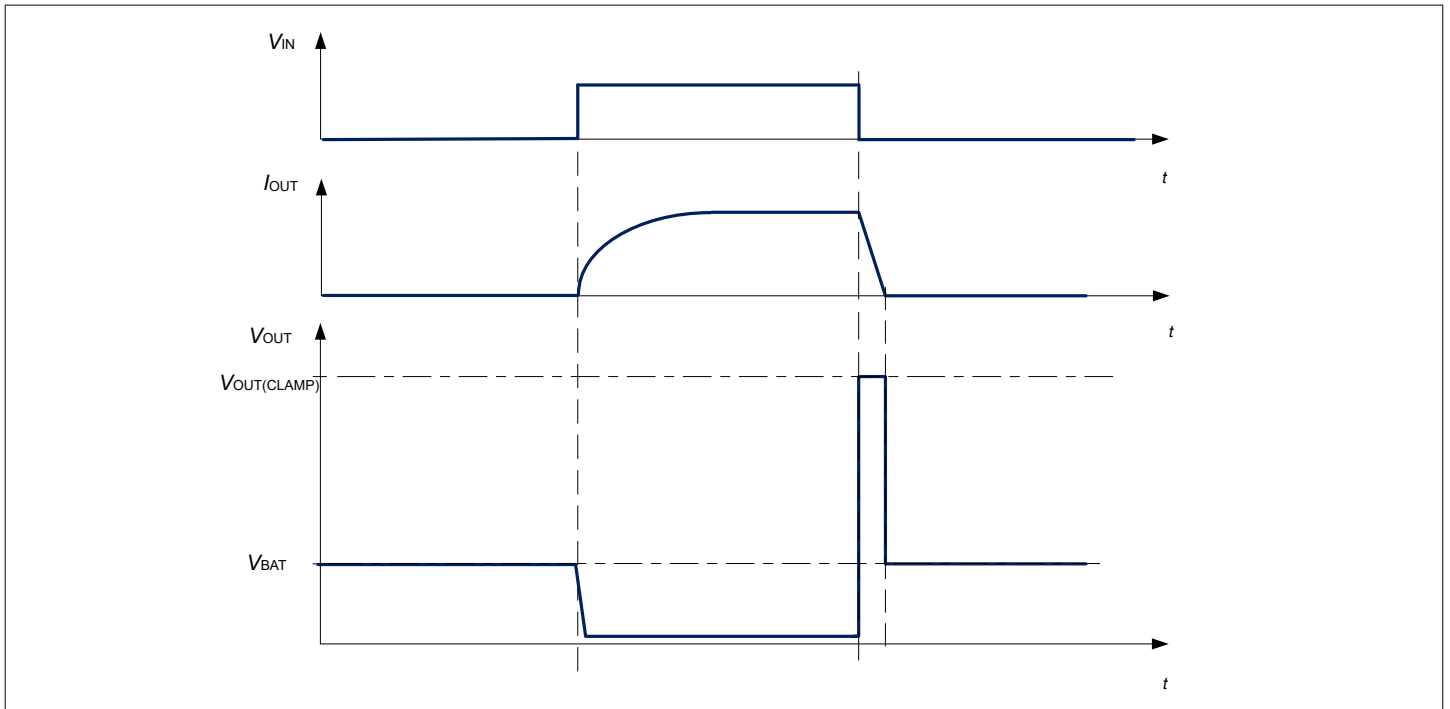


**Figure 8** Typical, simplified diagram representing the relation between  $R_{SRP}$  and  $t_{ON}$ ,  $t_{OFF}$ ;  $V_{DD} = 5 V$ ;  $R_{Load} = 6.8 \Omega, 10 \Omega$

### 4.3.1 Output clamping



**Figure 9** Output clamp circuitry



**Figure 10** Switching an inductive load

When switching off inductive loads with low-side switches, the drain-source voltage  $V_{OUT}$  rises above the battery potential due to the inductance tendency to continue driving the current. To prevent unwanted high voltages the device has a voltage clamping mechanism to keep the voltage at  $V_{OUT(CLAMP)}$ . During this clamping operation mode the device heats up as it dissipates the energy from the inductance. Therefore the maximum allowed load inductance is limited. See [Figure 9](#) and [Figure 10](#) for more details.

*Note:* Repetitive switching of an inductive load by  $V_{DD}$  instead of using the input pin  $IN$  is a not recommended operation and may affect the device reliability and reduce the lifetime.

### 4.3.2 Maximum load inductance

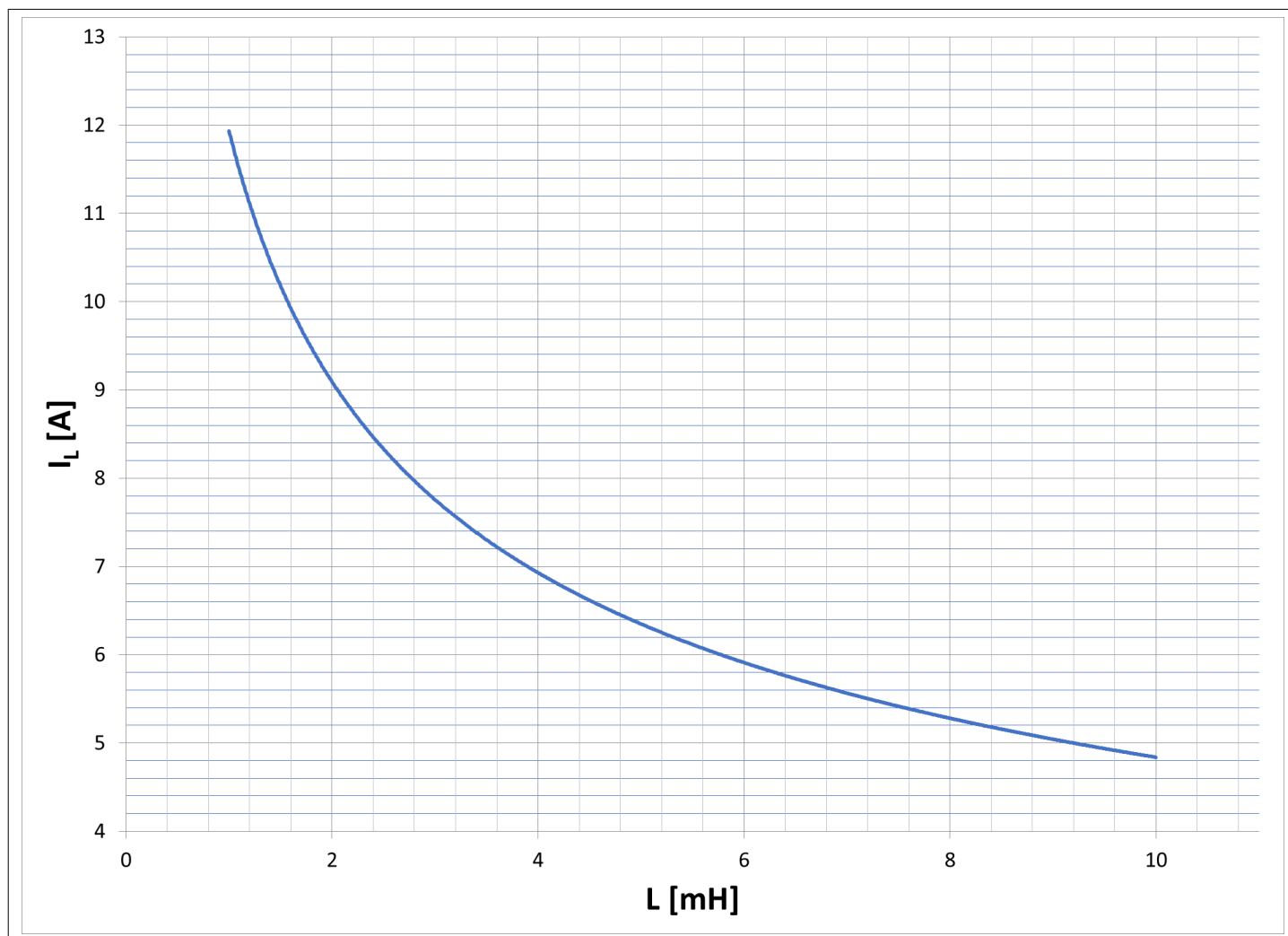
During the demagnetization of inductive loads, energy has to be dissipated by the device. This energy can be calculated by (1):

$$E = V_{OUT(CLAMP)} \times \left[ \frac{V_{BAT} - V_{OUT(CLAMP)}}{R_L} \times \ln \left( 1 - \frac{R_L \times I_L}{V_{BAT} - V_{OUT(CLAMP)}} \right) + I_L \right] \times \frac{L}{R_L} \quad (1)$$

The (2) is simplified under the assumption of  $R_L = 0$ :

$$E = \frac{1}{2} L I_L^2 \times \left( 1 - \frac{V_{BAT}}{V_{BAT} - V_{OUT(CLAMP)}} \right) \quad (2)$$

Figure 11 shows the inductance for a given current that the device BTT3050EJ can withstand. For maximum single avalanche energy please refer to  $E_{AS}$  parameter in Table 3.



**Figure 11** Maximum load inductance for single pulse:  $L = f(I_L)$ ;  $T_{J(0)} = 150^\circ\text{C}$ ;  $V_{BAT} = 28\text{ V}$

#### **4.4 Reverse current capability**

A reverse battery situation means that the device's drain is pulled below GND potential to  $-V_{BAT}$ . In this situation the load is driven by a current through the intrinsic body diode of BTT3050EJ and all protections, such as current limitation, overtemperature or overvoltage clamping, are not active.

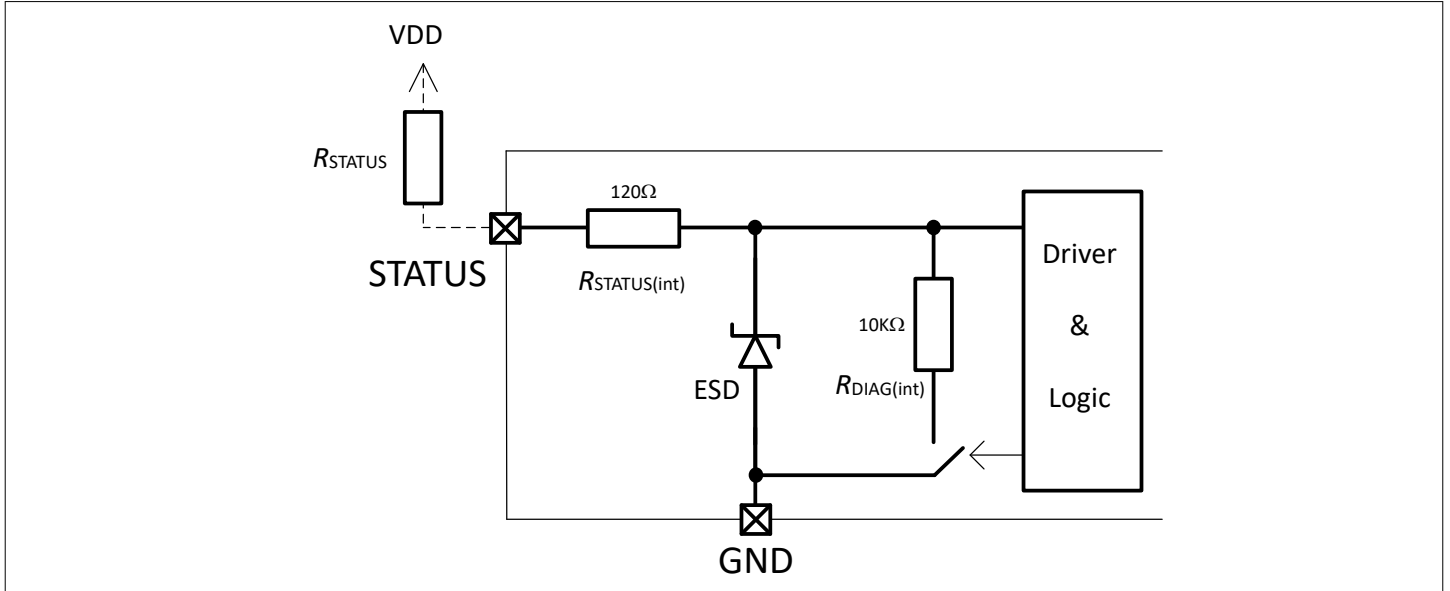
In inverse or reverse operation via the reverse body diode, the device is dissipating a power loss which is defined by the driven current and the voltage drop on the body diode.

#### **4.5 Characteristics**

Please see [Power stage](#) for Electrical characteristics tables.

## 5 Diagnostics

BTT3050EJ provides a latching digital fault feedback signal on the STATUS pin triggered by an overtemperature shutdown.



**Figure 12** Simplified diagnosis circuit

Figure 12 shows the diagnosis circuit of BTT3050EJ. The circuit includes an ESD protection mechanism via a zener structure. Note that  $R_{STATUS(int)} + R_{DIAG(int)} = R_{STATUS(LATCH)}$ .

### 5.1 Functional description of the STATUS pin

BTT3050EJ provides digital status information via the STATUS pin to give feedback to a connected microcontroller. The readout of the diagnosis signal is only possible if the STATUS pin has a dedicated connection to the microcontroller and the appropriate pull-up resistor  $R_{STATUS}$  is in place. See Figure 32 for recommended values of the external components.

The device is able to operate via STATUS pin and IN pin connected together, however, this condition will inhibit the readout of the diagnosis signal.

In normal operation (no thermal shutdown) the STATUS pin's logic is set "high". It is pulled up via an external resistor ( $R_{STATUS}$ ) to  $V_{DD}$ .

Internally it is connected to an open drain MOSFET through an internal resistor.

In case of a thermal shutdown (fault) the internal MOSFET, connected to the STATUS pin, pulls its voltage down to GND providing a "low" level signal to the microcontroller  $V_{STATUS(LATCH)}$ .

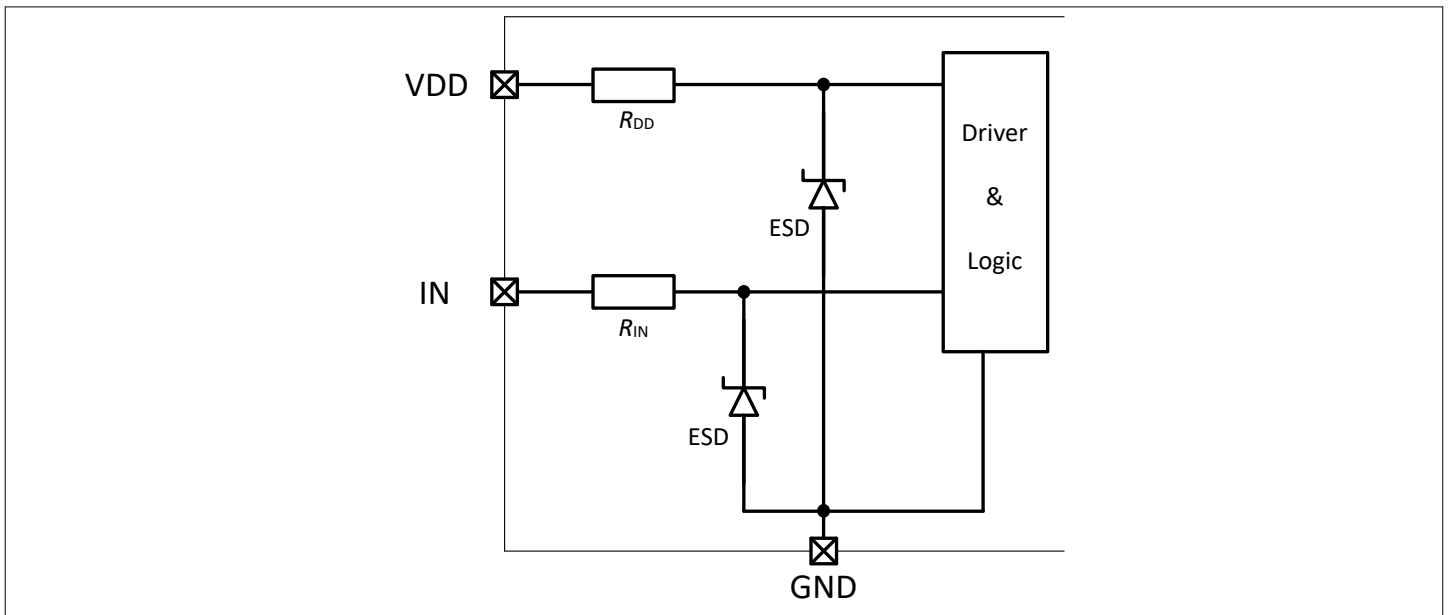
Fault mode operation remains active independently from the INPUT pin state until it is reset.

To reset the latch fault signal of BTT3050EJ, the STATUS pin has to be externally pulled up. This behavior is shown in Figure 15. For other configurations and how to reset the latch OFF of the DMOS, please see [Reset latch condition](#).

### 5.2 Characteristics

Please see [Diagnostics](#) for Electrical characteristics tables.

## 6 Supply and input stage



**Figure 13** Simplified supply and input circuit

Figure 13 shows the supply and input circuit of BTT3050EJ. Both terminals include an ESD protection mechanism via a zener structure.

### 6.1 Supply circuit

The device's supply is not internally regulated but provided by an external supply. Therefore a reverse polarity protected and buffered (3.3 V..5.5 V) voltage supply is required at  $V_{DD}$  pin. To achieve the best  $R_{DS(ON)}$  and the fastest switching speed a 5 V supply is required.

#### 6.1.1 Undervoltage shutdown

In order to ensure a stable device behavior under all allowed conditions the supply voltage  $V_{DD}$  is monitored.

The output switches off if the supply voltage  $V_{DD}$  drops below the switch-off threshold  $V_{DD(TH)L}$ .

If the supply voltage  $V_{DD}$  drops below the supply voltage reset threshold  $V_{DD(RESET)}$  a reset of the STATUS signal and the latch-off state will occur.

The device functions are only given for supply voltages above the supply voltage threshold  $V_{DD(TH)H}$ .

#### 6.1.2 Supply current consumption

The supply current consumption is determined by the state of the input voltage, being low, with the  $I_{DD(OFF)}$  and being high, with the  $I_{DD(ON)}$ .

After a thermal shutdown, when the device is in OFF latch mode, the current consumption values matches the normal ON state  $I_{DD(ON)}$  as long as input is high.

However in PWM the consumption depends on the switching frequency. The higher the frequency, the higher the  $I_{DD(PWM)}$ .

Figure 14 shows the typical relation between the supply current consumption and the switching frequency considering a duty-cycle of 50%.

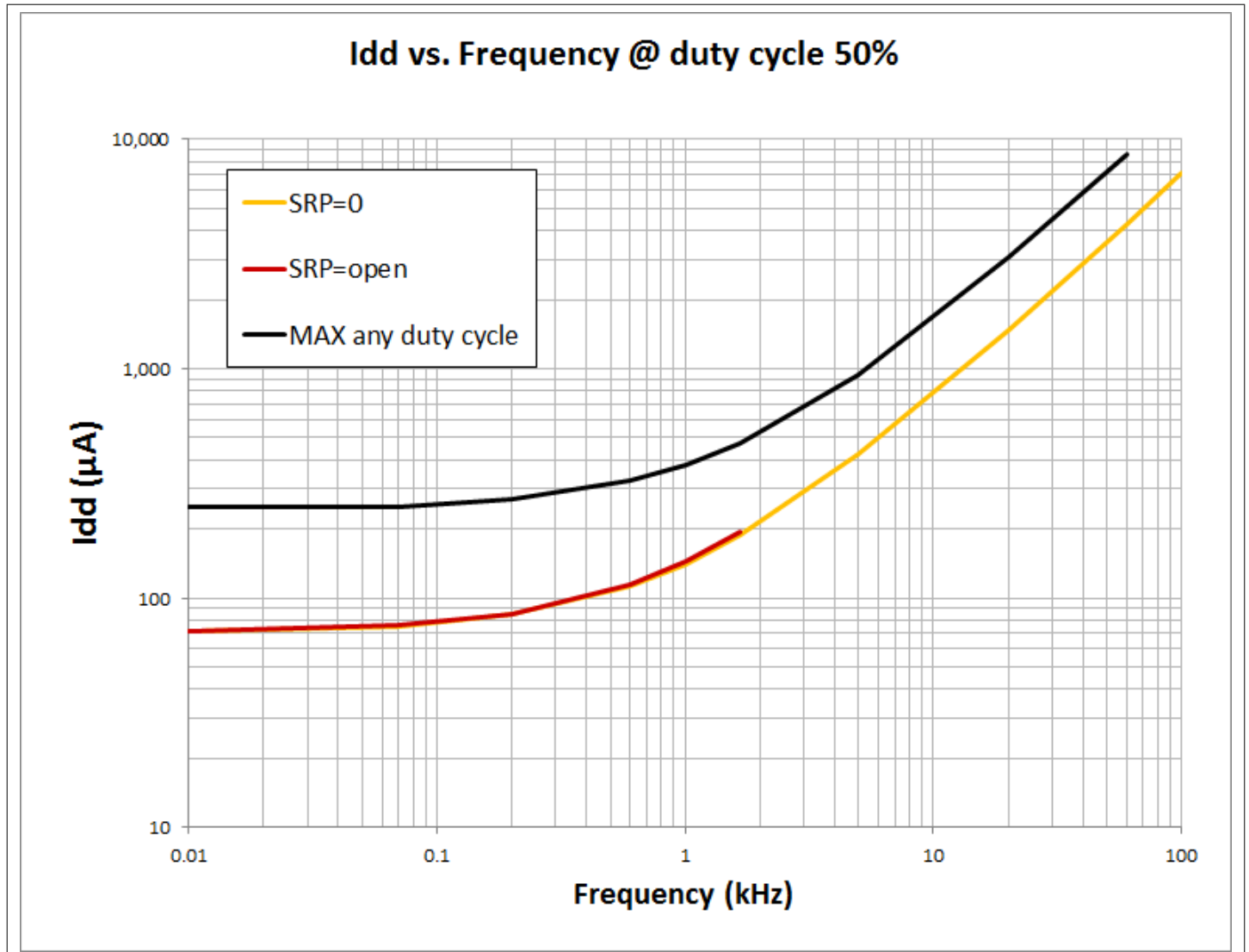


Figure 14 Typical  $I_{DD(PWM)}$  versus switching frequency at 50% duty cycle

## 6.2 Characteristics

Please see [Supply and input stage](#) for Electrical characteristics tables.

## 7 Protection functions

BTT3050EJ provides embedded protection functions. Integrated protection functions are designed to prevent IC destruction under fault conditions described in the datasheet. Fault conditions are considered as "outside" normal operations. Protection functions are not to be used for continuous or repetitive operation. BTT3050EJ has implemented a latched overtemperature shutdown function.

In the event of overtemperature shutdown the device will remain OFF until the latch is reset via STATUS pin.

### 7.1 Overvoltage clamping on output

BTT3050EJ limits the drain-source voltage  $V_{DS}$  at a certain level  $V_{OUT(CLAMP)}$ .

The overvoltage clamping is overruling the other protection functions. Power dissipation has to be limited not to exceed the maximum allowed junction temperature.

This function is also used in terms of inductive clamping. Please see also [Output clamping](#) for more details.

### 7.2 Thermal protection

The device is protected against overtemperature due to overload and/or bad cooling conditions by an integrated temperature sensor.

The thermal protection is available when the device is active. In the event of overtemperature shutdown  $T_{J(SD)}$ , the device will remain OFF until the device is reset via STATUS pin.

Please see [Figure 15](#) and [Figure 16](#).

### 7.3 Overcurrent limitation and short circuit behavior

BTT3050EJ provides an overcurrent limitation intended to protect against short circuit or overcurrent conditions.

When the drain current reaches the current limitation level  $I_{L(LIM)}$ , the device will limit the current at that level.

While doing so, the power dissipation will heat up the device. Once the device reaches the overtemperature shutdown threshold  $T_{J(SD)}$ , it will automatically shutdown and remain OFF until it is reset via STATUS pin.

### 7.4 Reset latch condition

The reset of the latch OFF mode is done in two stages that need to be performed in the correct sequence.

During the first stage the voltage at the STATUS pin must be below the  $V_{STATUS(RESET)L}$  threshold for a time  $t > t_{STATUS(RESET)L}$ .

In the second stage of the reset sequence, the STATUS pin voltage needs to be pulled-up above the  $V_{STATUS(RESET)H}$  threshold for a time  $t > t_{STATUS(RESET)H}$ .

The total reset time needed is given by the sum of  $t_{STATUS(RESET)L}$  and  $t_{STATUS(RESET)H}$ .

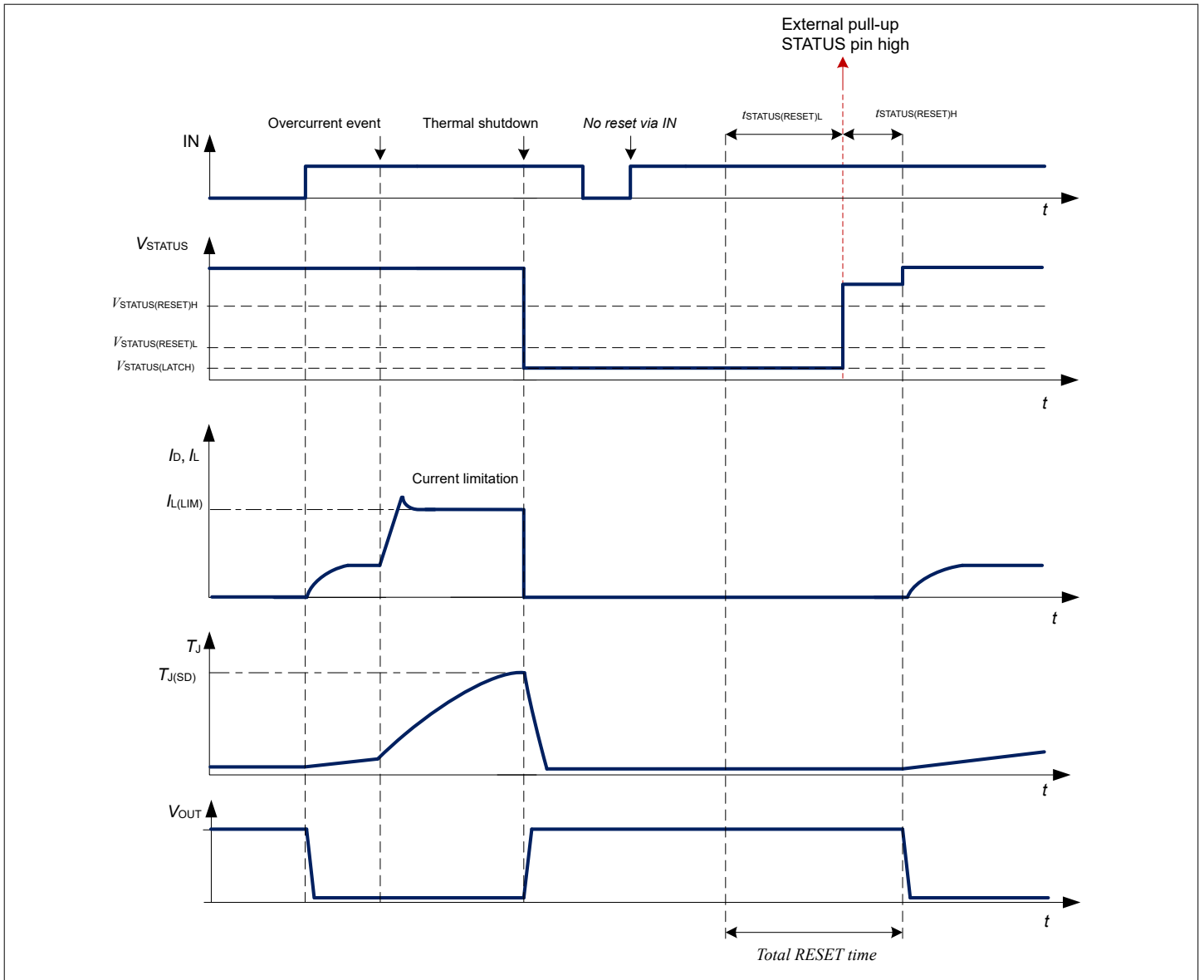
The following paragraphs explain more in detail the reset functionality in different conditions.

#### 7.4.1 Reset via STATUS pin

If the temperature protection shutdowns the device, it will remain latched OFF independently of the input signal at IN pin. Simultaneously, the STATUS pin signal will be signalized low  $V_{STATUS(LATCH)}$ . In order to reset the latch condition, the STATUS pin needs to remain below  $V_{STATUS(RESET)L}$  for a time  $t > t_{STATUS(RESET)L}$  before being externally pulled-up to  $V_{STATUS(RESET)H}$  for a time  $t > t_{STATUS(RESET)H}$ .

Please refer to [Figure 15](#) and the application diagram in [Figure 32](#).

This configuration allows the device to be driven with high frequency PWM signal via the IN pin without a risk of resetting the device in case it goes in protection shutdown mode (latch OFF).



**Figure 15** Mechanism to reset latch condition via STATUS pin

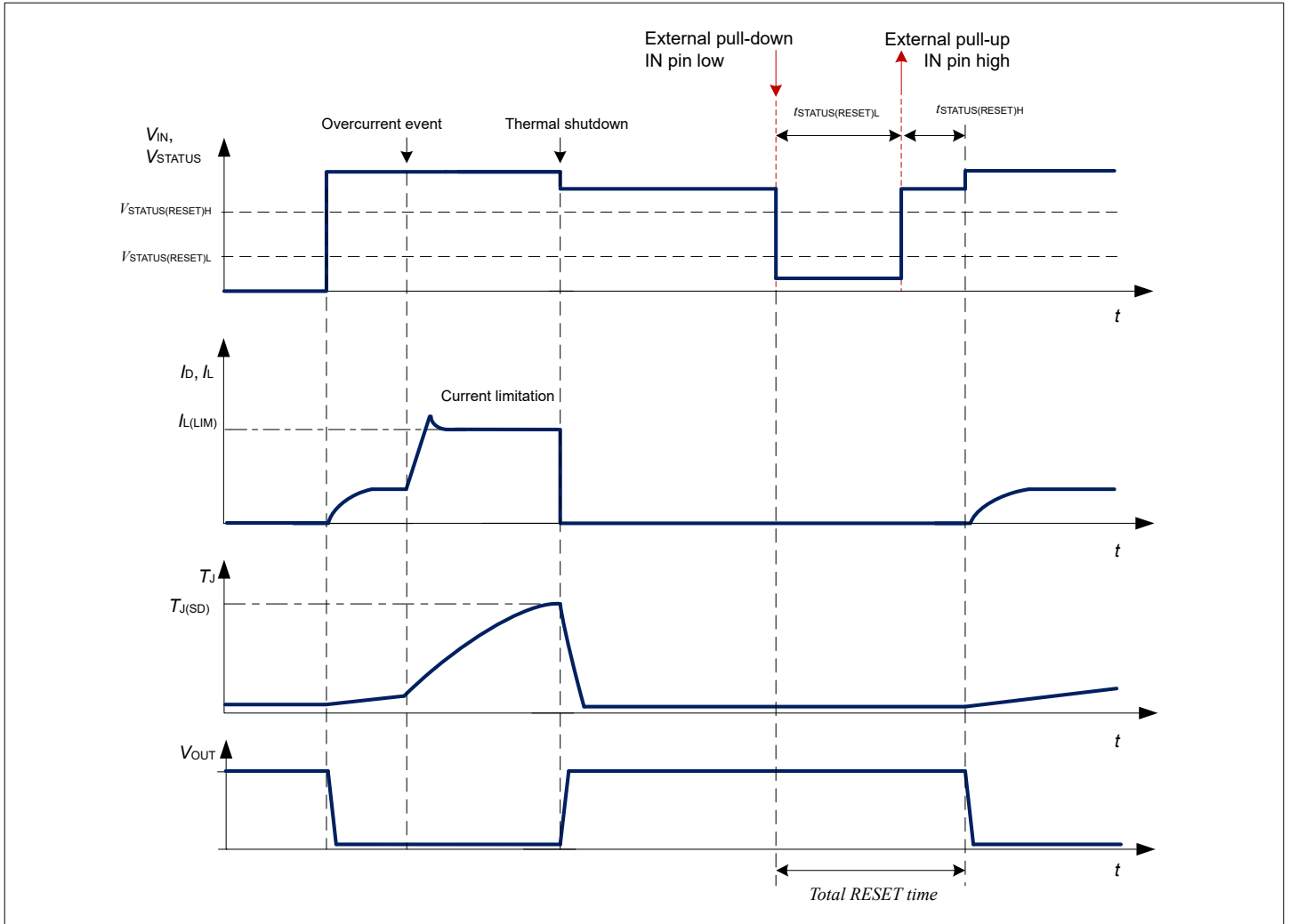
### 7.4.2 Reset via STATUS pin and IN pin connected together

If STATUS and IN pins are connected together (no  $R_{STATUS}$  pull-up external resistor), the voltage provided through the IN pin will prevent to signalize the STATUS low.

To reset the device under this condition, the STATUS – IN connection need to be pulled-down to  $V_{STATUS(RESET)L}$  for a time  $t > t_{STATUS(RESET)L}$  before being pulled-up to  $V_{STATUS(RESET)H}$  for a time  $t > t_{STATUS(RESET)H}$ .

Please refer to [Figure 16](#) and the application diagram in [Figure 33](#).

If no diagnosis of the device is required, this configuration avoids the need of a dedicated I/O from the microcontroller for the STATUS pin. The maximum frequency allowed in PWM mode via IN pin preventing to reset the device is constrained by the  $t_{STATUS(RESET)L}$  and  $t_{STATUS(RESET)H}$  times.



**Figure 16 Mechanism to reset latch condition with STATUS pin and IN pin connected together**

*Note: For better understanding, the time scale is not linear. The real timing of this drawing is application dependent and cannot be described.*

## 7.5 Characteristics

Please see [Protection](#) for Electrical characteristic tables.

## 8 Electrical characteristics

Please note that [Electrical characteristics](#) shows the deviation of a parameter at a given input voltage and junction temperature. Typical values show the typical parameters expected from manufacturing and in typical application condition. All voltages and currents naming and polarity in accordance to [Figure 3](#).

### 8.1 Power stage

Please see [Power stage](#) for parameters description and further details.

**Table 6 Power stage**

$T_J = -40^\circ\text{C}$  to  $+150^\circ\text{C}$ ,  $V_{\text{BAT}} = 28\text{ V}$ , all voltages with respect to ground, positive current flowing into pin (unless otherwise specified)

| Parameter   | Symbol                    | Values |      |      | Unit | Note or condition   | P-Number |
|---|---------------------------|--------|------|------|------|---|----------|
|   |                           | Min.   | Typ. | Max. |      |   |          |
| <b>Static characteristics</b>                           |                           |        |      |      |      |   |          |
| On-state resistance at 5 V supply and 25°C              | $R_{\text{DS(ON)}_5_25}$  | –      | 50   | 63   | mΩ   | $I_L = I_{\text{L(NOM)}}; V_{\text{DD}} = 5\text{ V}; T_J = 25^\circ\text{C}$               | PRQ-168  |
| On-state resistance at 5 V supply and 150°C             | $R_{\text{DS(ON)}_5_150}$ | –      | 85   | 100  | mΩ   | $I_L = I_{\text{L(NOM)}}; V_{\text{DD}} = 5\text{ V}; T_J = 150^\circ\text{C}$              | PRQ-169  |
| On-state resistance at 3 V supply and 25°C              | $R_{\text{DS(ON)}_3_25}$  | –      | 63   | 78   | mΩ   | $I_L = I_{\text{L(NOM)}}; V_{\text{DD}} = 3\text{ V}; T_J = 25^\circ\text{C}$               | PRQ-172  |
| On-state resistance at 3 V supply and 150°C             | $R_{\text{DS(ON)}_3_150}$ | –      | 105  | 130  | mΩ   | $I_L = I_{\text{L(NOM)}}; V_{\text{DD}} = 3\text{ V}; T_J = 150^\circ\text{C}$              | PRQ-173  |
| Nominal load current                                    | $I_{\text{L(NOM)}}$       | –      | 4.0  | –    | A    | <sup>1)</sup> $T_J < 150^\circ\text{C}; T_A = 85^\circ\text{C}; V_{\text{DD}} = 5\text{ V}$ | PRQ-174  |
| OFF state load current, output leakage current          | $I_{\text{L(OFF)}_85}$    | –      | 0    | 1    | μA   | <sup>2)</sup> $T_J \leq 85^\circ\text{C}$   | PRQ-175  |
| OFF state load current, Output leakage current at 150°C | $I_{\text{L(OFF)}_150}$   | –      | 2    | 10   | μA   | $T_J = 150^\circ\text{C}$   | PRQ-176  |

#### Reverse diode

|                               |                  |   |     |   |   |                              |         |
|-------------------------------|------------------|---|-----|---|---|------------------------------|---------|
| Reverse diode forward voltage | $-V_{\text{DS}}$ | – | 0.6 | 1 | V | $V_{\text{IN}} = 0\text{ V}$ | PRQ-177 |
|-------------------------------|------------------|---|-----|---|---|------------------------------|---------|

#### Switching times. RSRP = short to GND; VBAT = 28 V; VDD = 5 V; RLoad = 10 Ω.

|                           |                        |     |     |     |    |   |         |
|---------------------------|------------------------|-----|-----|-----|----|---|---------|
| Turn-on delay time        | $t_{\text{DON}_5(0)}$  | 1.2 | 2.7 | 6.8 | μs | – | PRQ-178 |
| Turn-off delay time       | $t_{\text{DOFF}_5(0)}$ | 1.0 | 2.8 | 5.5 | μs | – | PRQ-179 |
| Turn-on output fall time  | $t_{\text{F}_5(0)}$    | 0.5 | 1.4 | 2.5 | μs | – | PRQ-180 |
| Turn-off output rise time | $t_{\text{R}_5(0)}$    | 0.3 | 0.8 | 2.0 | μs | – | PRQ-181 |

(table continues...)

**Table 6 (continued) Power stage**

$T_J = -40^{\circ}\text{C}$  to  $+150^{\circ}\text{C}$ ,  $V_{\text{BAT}} = 28\text{ V}$ , all voltages with respect to ground, positive current flowing into pin (unless otherwise specified)

| Parameter   | Symbol                          | Values |      |      | Unit          | Note or condition | P-Number |
|---|---------------------------------|--------|------|------|---------------|-------------------|----------|
|   |                                 | Min.   | Typ. | Max. |               |                   |          |
| <b>Switching times. RSRP = 5.8 k<math>\Omega</math>; VBAT = 28 V; VDD = 5 V; R<sub>Load</sub> = 10 <math>\Omega</math>.</b> |                                 |        |      |      |               |                   |          |
| Turn-on delay time  | $t_{\text{DON}_5(5\text{K8})}$  | 1.7    | 3.1  | 6.9  | $\mu\text{s}$ | –                 | PRQ-182  |
| Turn-off delay time   | $t_{\text{DOFF}_5(5\text{K8})}$ | 1.4    | 4.5  | 7.6  | $\mu\text{s}$ | –                 | PRQ-183  |
| Turn-on output fall time  | $t_{\text{F}_5(5\text{K8})}$    | 1.1    | 2.1  | 3.6  | $\mu\text{s}$ | –                 | PRQ-184  |
| Turn-off output rise time   | $t_{\text{R}_5(5\text{K8})}$    | 1.0    | 1.7  | 2.9  | $\mu\text{s}$ | –                 | PRQ-328  |
| <b>Switching times. RSRP = 58 k<math>\Omega</math>; VBAT = 28 V; VDD = 5 V; R<sub>Load</sub> = 10 <math>\Omega</math>.</b>  |                                 |        |      |      |               |                   |          |
| Turn-on delay time  | $t_{\text{DON}_5(58\text{K})}$  | 5.5    | 10.5 | 15.3 | $\mu\text{s}$ |                   | PRQ-329  |
| Turn-off delay time   | $t_{\text{DOFF}_5(58\text{K})}$ | 6.6    | 20.4 | 40.9 | $\mu\text{s}$ |                   | PRQ-330  |
| Turn-on output fall time  | $t_{\text{F}_5(58\text{K})}$    | 5.7    | 11.3 | 18.6 | $\mu\text{s}$ |                   | PRQ-331  |
| Turn-off output rise time   | $t_{\text{R}_5(58\text{K})}$    | 6.9    | 12.8 | 19.3 | $\mu\text{s}$ |                   | PRQ-332  |
| <b>Switching times. RSRP = 1 M<math>\Omega</math>; VBAT = 28 V; VDD = 5 V; R<sub>Load</sub> = 10 <math>\Omega</math>.</b>   |                                 |        |      |      |               |                   |          |
| Turn-on delay time  | $t_{\text{DON}_5(1\text{M})}$   | 9.3    | 17.0 | 42.2 | $\mu\text{s}$ | –                 | PRQ-337  |
| Turn-off delay time   | $t_{\text{DOFF}_5(1\text{M})}$  | 10.4   | 44.2 | 139  | $\mu\text{s}$ | –                 | PRQ-338  |
| Turn-on output fall time  | $t_{\text{F}_5(1\text{M})}$     | 8.9    | 26.7 | 64.7 | $\mu\text{s}$ | –                 | PRQ-339  |
| Turn-off output rise time   | $t_{\text{R}_5(1\text{M})}$     | 8.9    | 27.1 | 68.2 | $\mu\text{s}$ | –                 | PRQ-340  |

1) Not subject to production test, calculated by  $R_{\text{thJA}}$  and  $R_{\text{DS(ON)}}$

2) Not subject to production test, specified by design

## 8.2 Protection

Please see [Protection functions](#) for parameter description and further details.

*Note:* Integrated protection functions are designed to prevent IC destruction under fault conditions described in the datasheet. Fault conditions are considered as "outside" normal operating range. Protection functions are not designed for continuous repetitive operation.

**Table 7 Protection**

$T_J = -40^{\circ}\text{C}$  to  $+150^{\circ}\text{C}$ ,  $V_{\text{BAT}} = 28\text{ V}$ ; all voltages with respect to ground, positive current flowing into pin (unless otherwise specified)

| Parameter                                    | Symbol               | Values |      |      | Unit               | Note or condition  | P-Number |
|--|----------------------|--------|------|------|--------------------|--|----------|
|  |                      | Min.   | Typ. | Max. |                    |  |          |
| <b>Thermal shutdown</b>                      |                      |        |      |      |                    |  |          |
| Thermal shutdown junction temperature        | $T_{\text{J(SD)}}$   | 150    | 175  | 200  | $^{\circ}\text{C}$ | <sup>1)</sup> $V_{\text{DD}} = 5\text{ V}$   | PRQ-185  |
| Overtemperature shutdown STATUS delay at 5 V | $t_{\text{TJ(SD)5}}$ | –      | 4.5  | –    | $\mu\text{s}$      | <sup>1)</sup><br>Delay time to trigger STATUS signal;<br>$V_{\text{DD}} = 5\text{ V}$ ;<br>$T_{\text{AMB}} = 25^{\circ}\text{C}$ | PRQ-189  |
| Overtemperature shutdown STATUS delay at 3 V | $t_{\text{TJ(SD)3}}$ | –      | 4.2  | –    | $\mu\text{s}$      | <sup>1)</sup><br>Delay time to trigger STATUS signal;<br>$V_{\text{DD}} = 3\text{ V}$ ;<br>$T_{\text{AMB}} = 25^{\circ}\text{C}$ | PRQ-191  |

**Overvoltage protection/clamping**

|                     |                         |    |    |    |   |  |         |
|---------------------|-------------------------|----|----|----|---|--|---------|
| Drain clamp voltage | $V_{\text{OUT(CLAMP)}}$ | 63 | 72 | 83 | V | $V_{\text{IN}} = 0\text{ V}$ ; $I_{\text{D}} > 50\text{ mA}$ | PRQ-193 |
|---------------------|-------------------------|----|----|----|---|--|---------|

**Current limitation**

|                          |                      |    |    |    |   |  |         |
|--------------------------|----------------------|----|----|----|---|--|---------|
| Current limitation level | $I_{\text{L(LIM)5}}$ | 10 | 16 | 22 | A | <sup>2)</sup> $V_{\text{DD}} = 5\text{ V}$ | PRQ-196 |
|--------------------------|----------------------|----|----|----|---|--|---------|

<sup>1)</sup> Not subject to production test, specified by design

<sup>2)</sup> Parameter tested at  $V_{\text{BAT}} = 5\text{ V}$ ; specified up to  $V_{\text{BAT}} = 36\text{ V}$

**8.3 Supply and input stage**

Please see [Supply and input stage](#) for description and further details.

**Table 8 Supply and input stage**

$T_J = -40^{\circ}\text{C}$  to  $+150^{\circ}\text{C}$ ,  $V_{\text{BAT}} = 28\text{ V}$ , all voltages with respect to ground, positive current flowing into pin (unless otherwise specified)

| Parameter                        | Symbol               | Values |      |      | Unit | Note or condition                                  | P-Number |
|----------------------------------|----------------------|--------|------|------|------|--|----------|
|                                  |                      | Min.   | Typ. | Max. |      |  |          |
| <b>Supply</b>                    |                      |        |      |      |      |  |          |
| Supply on threshold voltage high | $V_{\text{DD(TH)H}}$ | 2.4    | 2.8  | 3    | V    | –  | PRQ-202  |
| Supply off threshold voltage low | $V_{\text{DD(TH)L}}$ | 2.3    | 2.7  | 2.9  | V    | <sup>1)</sup><br>DMOS switches OFF below threshold | PRQ-203  |

**(table continues...)**

**Table 8 (continued) Supply and input stage**
 $T_J = -40^\circ\text{C}$  to  $+150^\circ\text{C}$ ,  $V_{\text{BAT}} = 28\text{ V}$ , all voltages with respect to ground, positive current flowing into pin (unless otherwise specified)

| Parameter                               | Symbol               | Values |      |      | Unit          | Note or condition   | P-Number |
|---|----------------------|--------|------|------|---------------|---|----------|
|   |                      | Min.   | Typ. | Max. |               |   |          |
| Supply current, continuous ON operation | $I_{\text{DD(ON)}}$  | –      | 150  | 250  | $\mu\text{A}$ | ON-state; $V_{\text{DD}} = 5.5\text{ V}$ ; $V_{\text{IN}} = 5\text{ V}$ ; $I_{\text{L(0)}} = I_{\text{L(NOM)}}$ | PRQ-206  |
| Standby supply current                  | $I_{\text{DD(OFF)}}$ | –      | 0.3  | 3    | $\mu\text{A}$ | <sup>2)</sup> $V_{\text{IN}} = 0\text{ V}$ ; $V_{\text{DD}} = 5.5\text{ V}$                                     | PRQ-212  |

**Input**

|   |                          |     |     |     |               |   |         |
|---|--------------------------|-----|-----|-----|---------------|---|---------|
| Input on threshold voltage; 5.5 V supply  | $V_{\text{IN(TH)H}_5.5}$ | 1.9 | 2.4 | 2.8 | V             | $V_{\text{DD}} = 5.5\text{ V}$  | PRQ-213 |
| Input off threshold voltage; 5.5 V supply | $V_{\text{IN(TH)L}_5.5}$ | 1.2 | 1.5 | 1.8 | V             | $V_{\text{DD}} = 5.5\text{ V}$  | PRQ-214 |
| Input on threshold voltage; 3 V supply    | $V_{\text{IN(TH)H}_3}$   | 1.2 | 1.5 | 1.8 | V             | $V_{\text{DD}} = 3\text{ V}$  | PRQ-219 |
| Input off threshold voltage; 3 V supply   | $V_{\text{IN(TH)L}_3}$   | 0.7 | 1   | 1.2 | V             | $V_{\text{DD}} = 3\text{ V}$  | PRQ-220 |
| Input pull down current                   | $I_{\text{IN}}$          | 20  | 45  | 80  | $\mu\text{A}$ | $V_{\text{IN}} \leq 5.5\text{ V}$ ; $V_{\text{DD}} \leq 5.5\text{ V}$ | PRQ-222 |

<sup>1)</sup> Undervoltage shutdown protection doesn't reset the OFF latch mode

<sup>2)</sup> Not subject to production test, specified by design

## 8.4 Diagnostics

Please see [Diagnostics](#) for parameters description and further details.

**Table 9 Diagnostics**
 $T_J = -40^\circ\text{C}$  to  $+150^\circ\text{C}$ ,  $V_{\text{BAT}} = 28\text{ V}$ , all voltages with respect to ground, positive current flowing into pin (unless otherwise specified)

| Parameter | Symbol | Values |      |      | Unit | Note or condition | P-Number |
|-----------|--------|--------|------|------|------|-------------------|----------|
|           |        | Min.   | Typ. | Max. |      |                   |          |

**Diagnostics**

|                                 |                               |     |     |     |               |   |         |
|---------------------------------|-------------------------------|-----|-----|-----|---------------|---|---------|
| Status pin latch voltage        | $V_{\text{STATUS(LATCH)}}$    | –   | –   | 1   | V             | <sup>6)</sup><br><sup>1)</sup> $V_{\text{DD}} = 5\text{ V}$ ; $R_{\text{STATUS}} = 100\text{ k}\Omega$ ; $3\text{ V} \leq V_{\text{IN}} \leq 5\text{ V}$ ; latched fault signal | PRQ-227 |
| Status pin reset threshold low  | $V_{\text{STATUS(RESET)L}_5}$ | 1   | 1.4 | 1.7 | V             | <sup>2)</sup> $V_{\text{DD}} = 5\text{ V}$  | PRQ-228 |
| Status pin reset threshold high | $V_{\text{STATUS(RESET)H}_5}$ | 1.7 | 2.2 | 2.6 | V             | <sup>3)</sup> $V_{\text{DD}} = 5\text{ V}$  | PRQ-229 |
| Status reset low time           | $t_{\text{STATUS(RESET)L}_5}$ | 1   | 1.6 | 2.4 | ms            | <sup>6)</sup> <sup>4)</sup> $V_{\text{DD}} = 5\text{ V}$  | PRQ-230 |
| Status reset high time          | $t_{\text{STATUS(RESET)H}_5}$ | 20  | 35  | 70  | $\mu\text{s}$ | <sup>6)</sup> <sup>5)</sup> $V_{\text{DD}} = 5\text{ V}$  | PRQ-231 |

**(table continues...)**

**Table 9 (continued) Diagnostics**

$T_J = -40^{\circ}\text{C}$  to  $+150^{\circ}\text{C}$ ,  $V_{\text{BAT}} = 28\text{ V}$ , all voltages with respect to ground, positive current flowing into pin (unless otherwise specified)

| Parameter                                     | Symbol                        | Values |      |      | Unit             | Note or condition  | P-Number |
|---|-------------------------------|--------|------|------|------------------|--|----------|
|   |                               | Min.   | Typ. | Max. |                  |  |          |
| Status pin reset threshold low                | $V_{\text{STATUS(RESET)L}_3}$ | 0.7    | 1    | 1.2  | V                | <sup>2)</sup><br>$V_{\text{DD}} = 3\text{ V}$  | PRQ-232  |
| Status pin reset threshold high               | $V_{\text{STATUS(RESET)H}_3}$ | 1.2    | 1.6  | 1.9  | V                | <sup>3)</sup><br>$V_{\text{DD}} = 3\text{ V}$  | PRQ-233  |
| Status reset low time                         | $t_{\text{STATUS(RESET)L}_3}$ | 0.5    | 1    | 2.3  | ms               | <sup>6) 4)</sup><br>$V_{\text{DD}} = 3\text{ V}$   | PRQ-234  |
| Status reset high time                        | $t_{\text{STATUS(RESET)H}_3}$ | 8      | 15   | 50   | $\mu\text{s}$    | <sup>6) 5)</sup><br>$V_{\text{DD}} = 3\text{ V}$   | PRQ-235  |
| Status pin leakage current (no latch)         | $I_{\text{STATUS(NOLATCH)}}$  | –      | –    | 1    | $\mu\text{A}$    | <sup>6)</sup><br>$3\text{ V} \leq V_{\text{DD}} \leq 5.5\text{ V};$<br>$V_{\text{STATUS}} \leq 5.5\text{ V};$<br>$0\text{ V} \leq V_{\text{IN}} \leq 5.5\text{ V}$ | PRQ-236  |
| Status pin internal resistance (latch active) | $R_{\text{STATUS(LATCH)}}$    | 7      | 10   | 15   | $\text{k}\Omega$ | $R_{\text{STATUS(LATCH)}} = R_{\text{STATUS(int)}} + R_{\text{DIAG(int)}}$   | PRQ-237  |

- 1) Latch feedback signal voltage drop considering  $V_{\text{DD}} = 5\text{ V}$  and  $R_{\text{STATUS}} = 100\text{ k}\Omega$ .
- 2) Voltage threshold needed at the STATUS pin to initialize the reset sequence of the latch OFF mode. If STATUS pin and IN pin are connected together, same voltage threshold applies.
- 3) Voltage threshold needed at the STATUS pin to complete the reset sequence of the latch OFF mode. If STATUS pin and IN pin are connected together, same voltage range applies.
- 4) Time needed to remain below  $V_{\text{STATUS(RESET)L}}$  to initialize the reset sequence of the latch OFF mode. See [Chapter 6.4](#) for more information.
- 5) Time needed to remain above  $V_{\text{STATUS(RESET)H}}$  after  $V_{\text{STATUS(RESET)L}}$  is applied to conclude the reset sequence. See [Chapter 6.4](#) for more information.
- 6) Not subject to production test, specified by design.

## 9 Characterization results

Typical performance characteristics.

### 9.1 Power stage

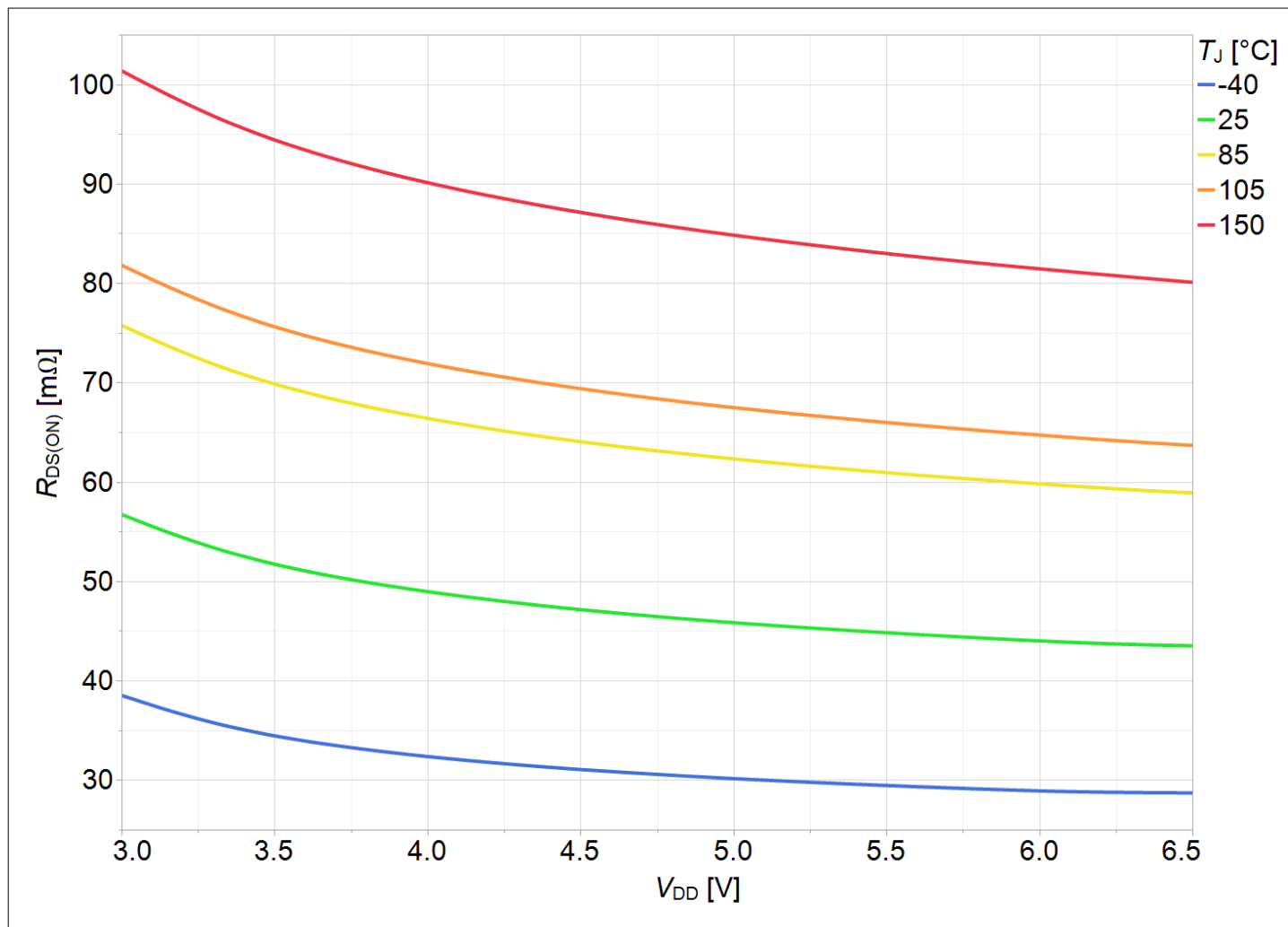


Figure 17 Typical  $R_{DS(ON)}$  vs.  $V_{DD}$ ;  $I_L = I_{L(NOM)}$ ;  $V_{IN} = 3\text{ V}$ ;  $V_{DD} = 3.. 5.5\text{ V}$ ;  $V_{BAT} = 28\text{ V}$ ;  $R_{SRP} = 0\ \Omega$

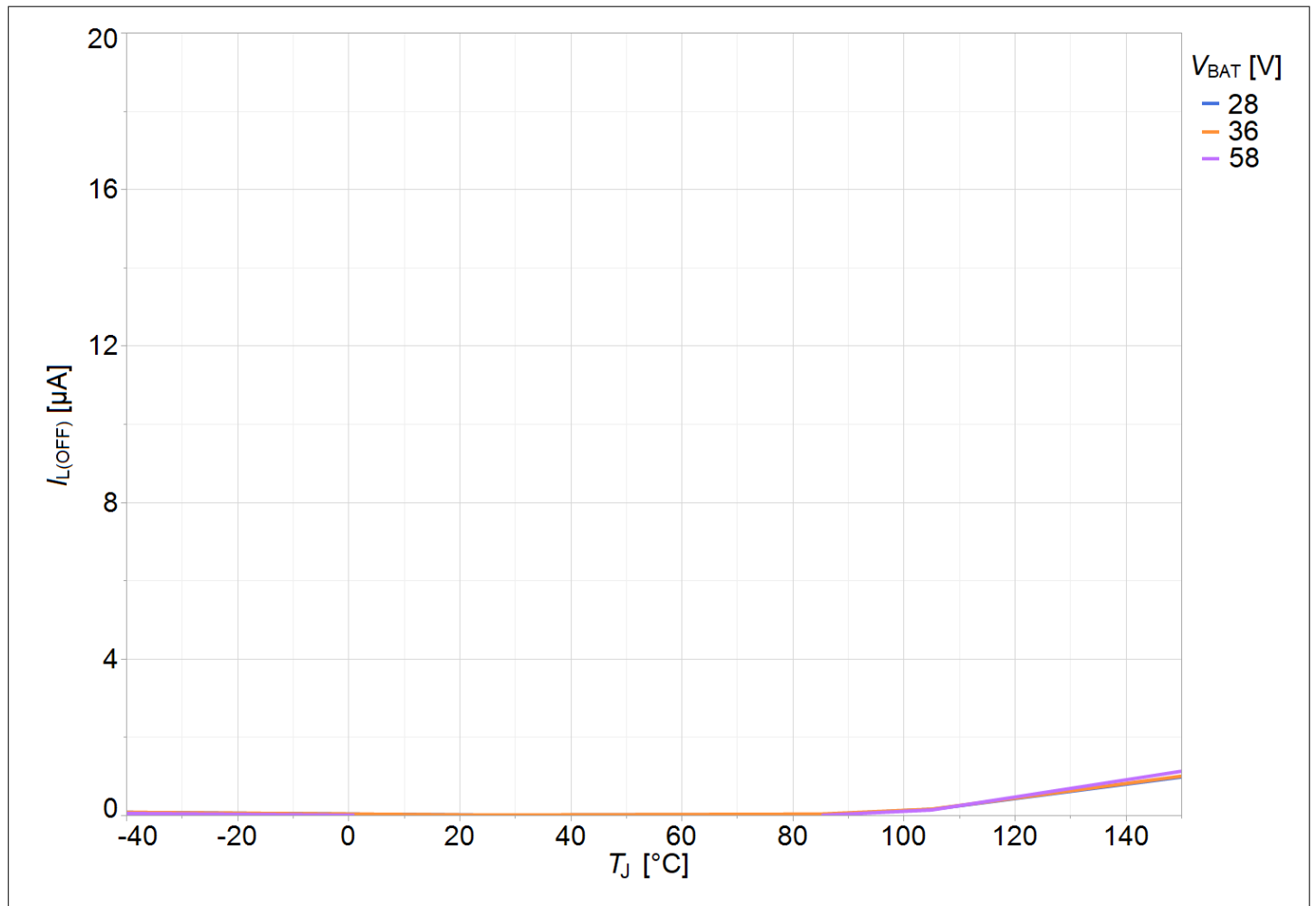


Figure 18 Typical  $I_{L(OFF)}$  vs.  $T_J$  at  $V_{IN} = 0V$ ;  $V_{DD} = 0V, 5V$ ;  $V_{BAT} = 28, 36, 58V$ ;  $T_J = -40, 25, 85, 105, 150^{\circ}C$

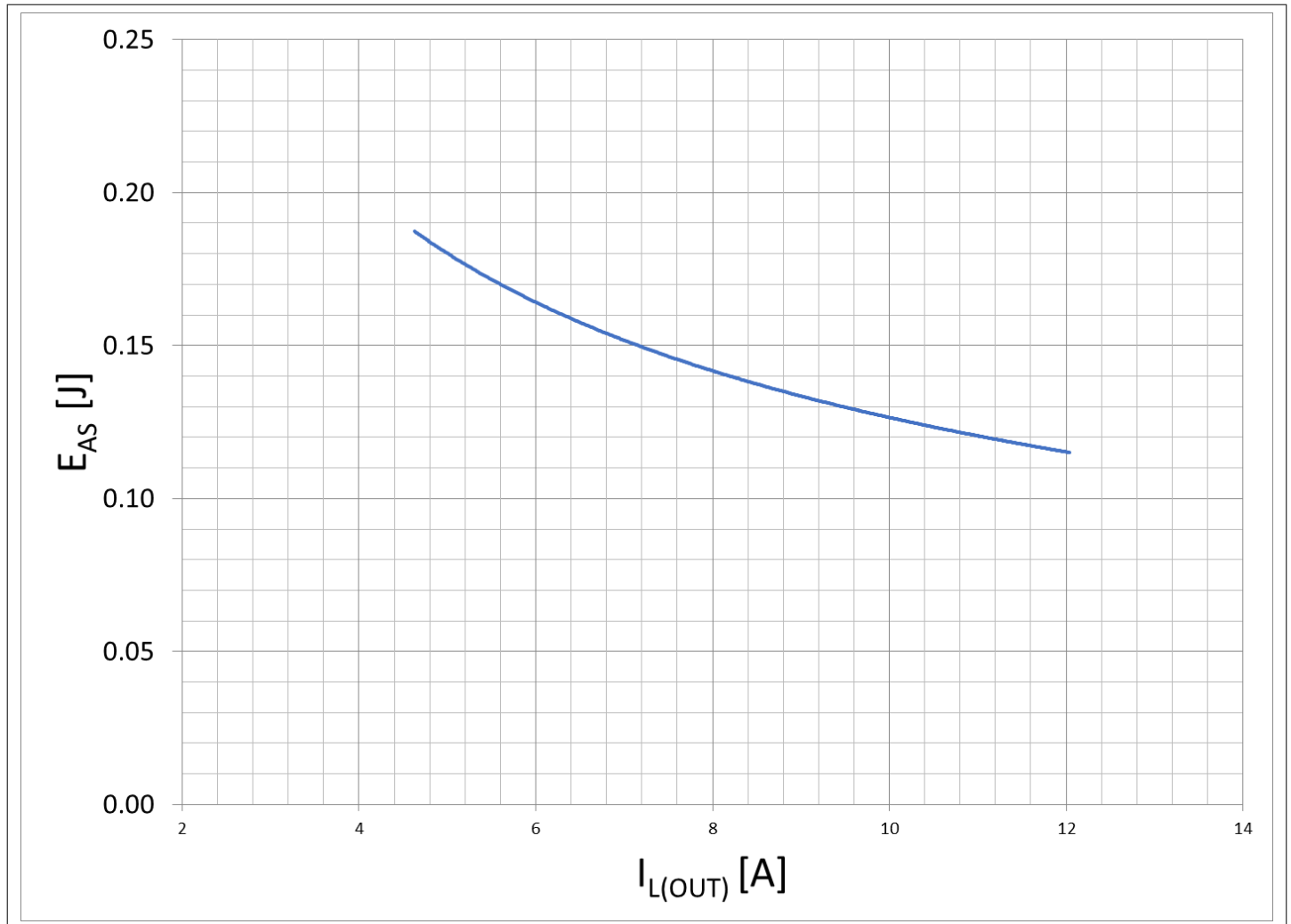


Figure 19 Typical destruction point  $E_{AS}$  versus  $I_L$  at  $T_{J(0)} = 150^\circ\text{C}$ ,  $V_{BAT} = 28\text{ V}$ ;  $I_L(NOM)$ ,  $2 \times I_L(NOM)$

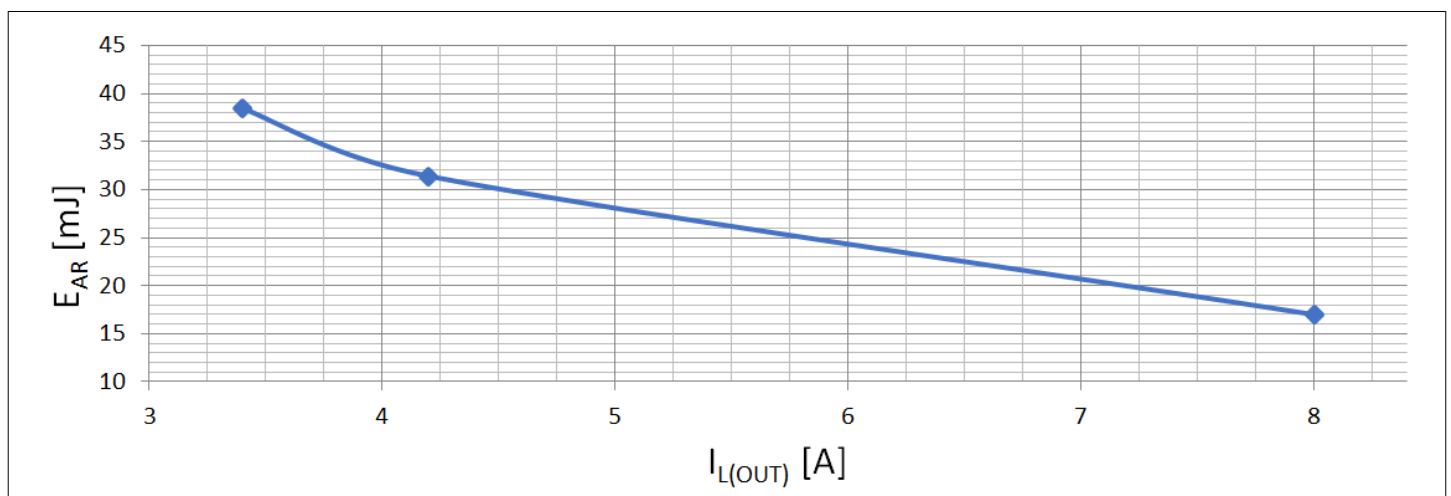


Figure 20 Typical  $E_{AR}$  versus  $I_L$  at  $T_{J(0)} = 25, 105^\circ\text{C}$ ,  $V_{BAT} = 28\text{ V}$ ; Nr. cycles = 20 Mio cycles;  $I_L = I_L(NOM)$ ,  $2 \times I_L(NOM)$

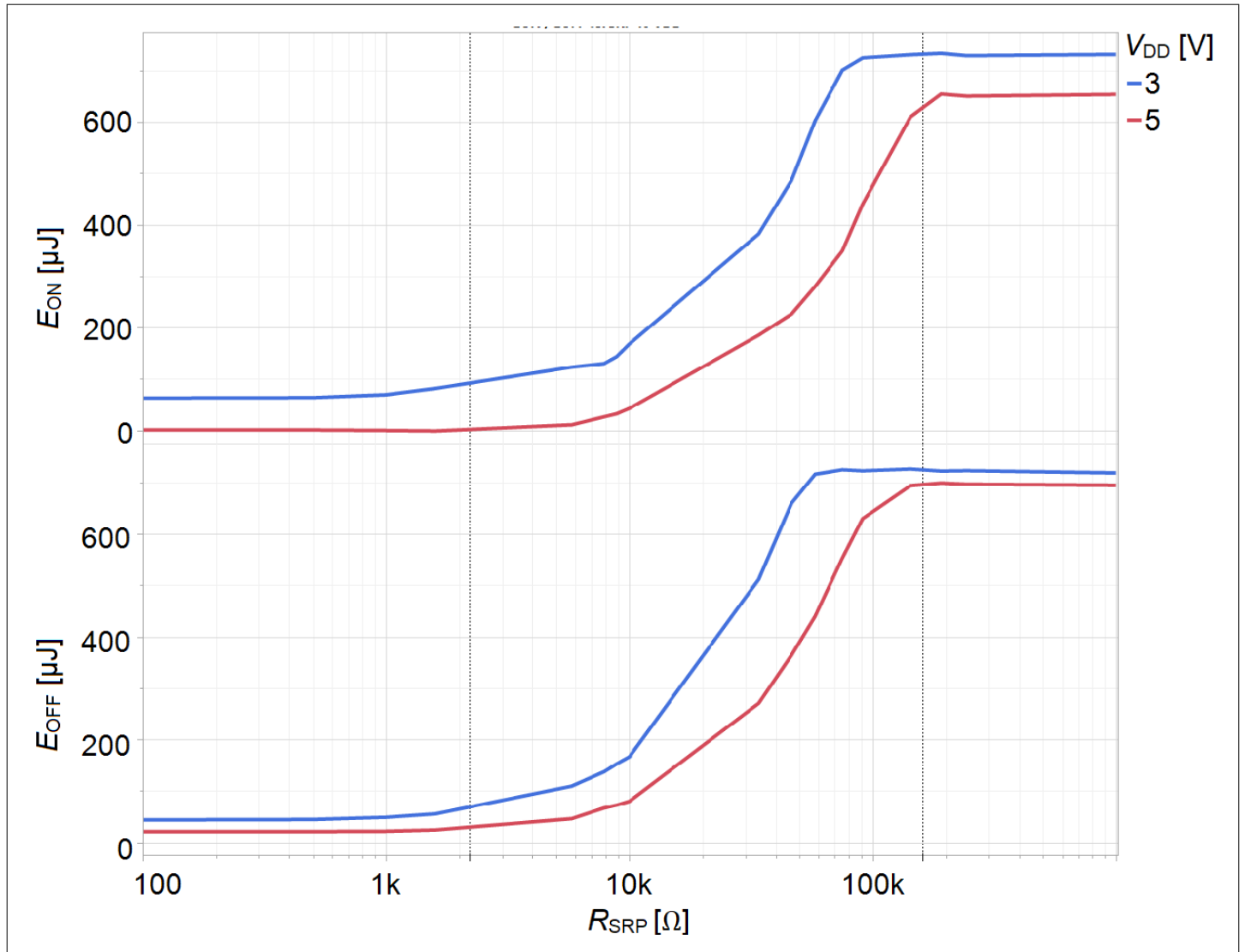


Figure 21 Typical  $E_{ON}$  and  $E_{OFF}$  vs.  $R_{SRP}$  at  $T_A = 25^\circ\text{C}$ ,  $V_{DD} = 3\text{ V}$  and  $5.5\text{ V}$ ;  $V_{BAT} = 28\text{ V}$ ;  $I_N = 5\text{ V}$ ; STATUS = pulled-up to VDD;  $R_{LOAD} = 6.8\Omega$

Dynamic characteristics

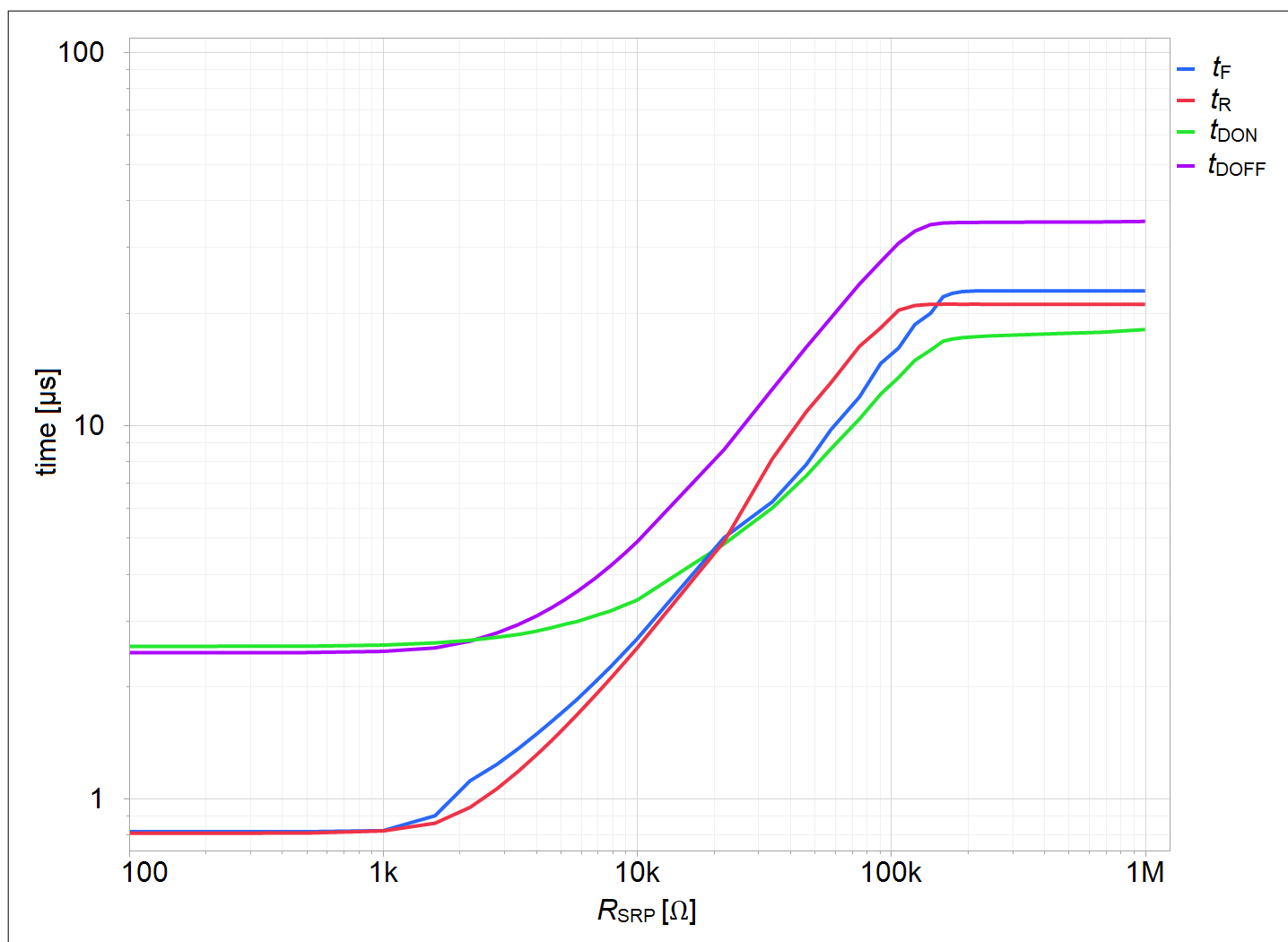


Figure 22 Typical  $t_F$ ,  $t_R$ ,  $t_{DON}$ ,  $t_{DOFF}$  versus  $R_{SRP}$  at  $V_{IN} = 5 V$ ;  $V_{DD} = 5 V$ ;  $V_{BAT} = 28 V$ ;  $R_L = 6.8 \Omega, 10 \Omega$ ;  $R_{SRP} = (0 k\Omega, 2.2 k\Omega, 5.8 k\Omega, 10 k\Omega, 58 k\Omega, 160 k\Omega, \text{open})$ ;  $T_J = -40 \dots 150^\circ C$

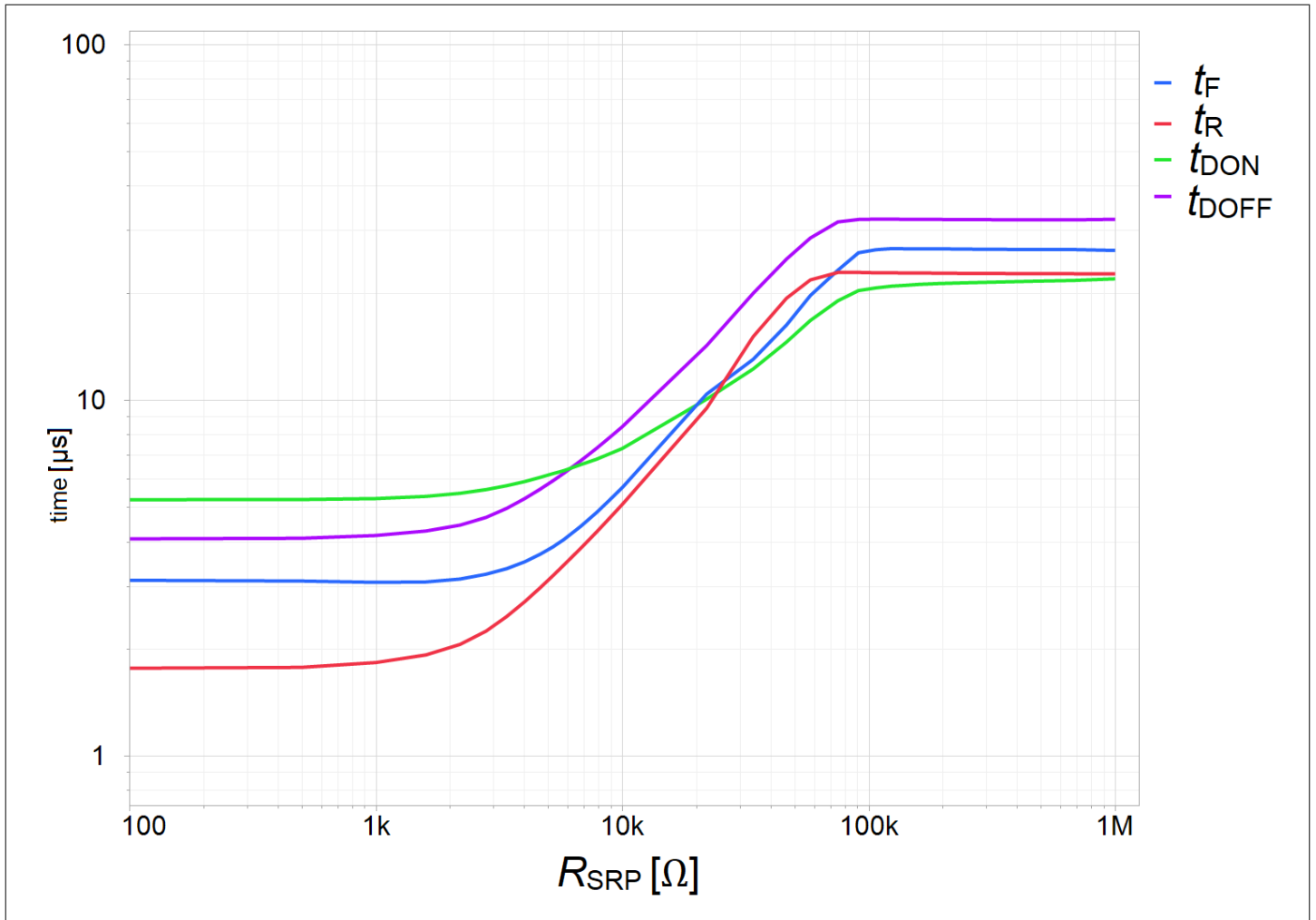


Figure 23

Typical  $t_F$ ,  $t_R$ ,  $t_{DON}$ ,  $t_{DOFF}$  versus  $R_{SRP}$  at  $V_{IN} = 3\text{ V}$ ;  $V_{DD} = 3\text{ V}$ ;  $V_{BAT} = 28\text{ V}$ ;  $R_L = 6.8\ \Omega, 10\ \Omega$ ;  $R_{SRP} = (0\text{ k}\Omega, 2.2\text{ k}\Omega, 5.8\text{ k}\Omega, 10\text{ k}\Omega, 58\text{ k}\Omega, 160\text{ k}\Omega, \text{open})$ ;  $T_J = -40 \dots 150^\circ\text{C}$

## 9.2 Protection

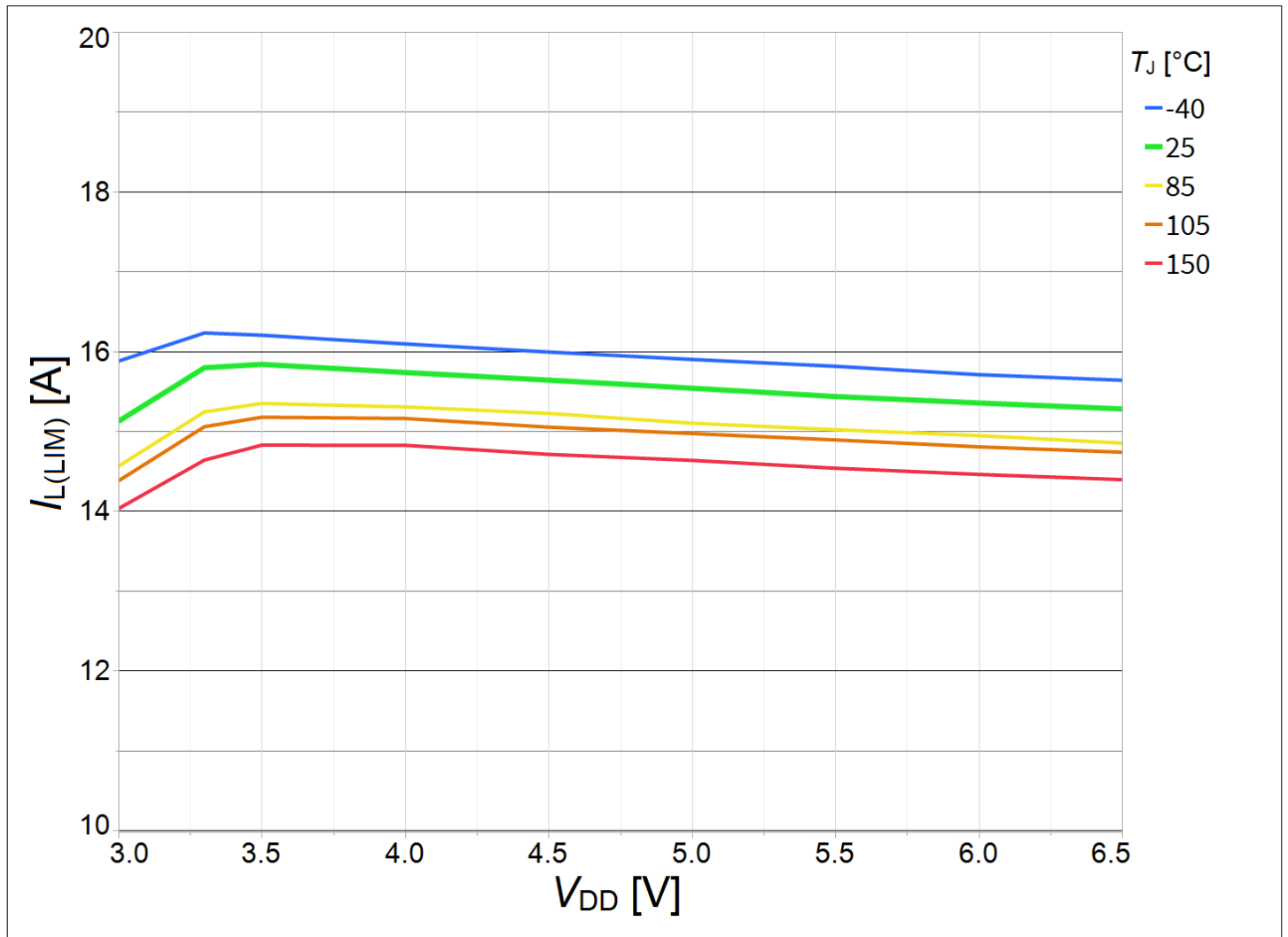


Figure 24 Typical  $I_{L(LIM)}$  versus  $V_{DD} = 3, 6.5$  V;  $V_{IN} = 5$  V;  $V_{BAT} = 0 .. 63$  V;  $T_J = -40, 25, 85, 105, 150^\circ\text{C}$

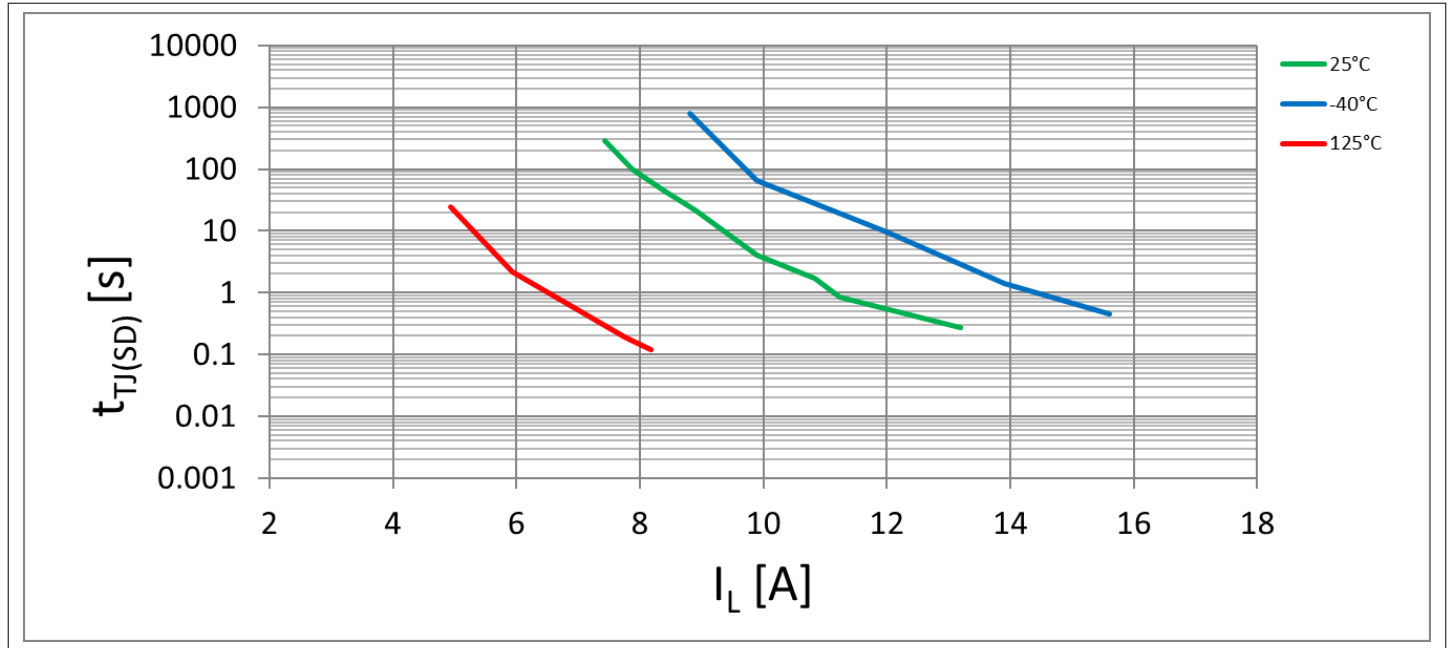


Figure 25 Typical time to shut down  $t_{TJ(SD)}$  versus  $I_L$ ;  $V_{BAT} = 28$  V;  $V_{DD} = 3.3, 5$  V;  $V_{IN} = 5$  V;  $R_{thJA}(2s2p)$

### 9.3 Supply and input stage

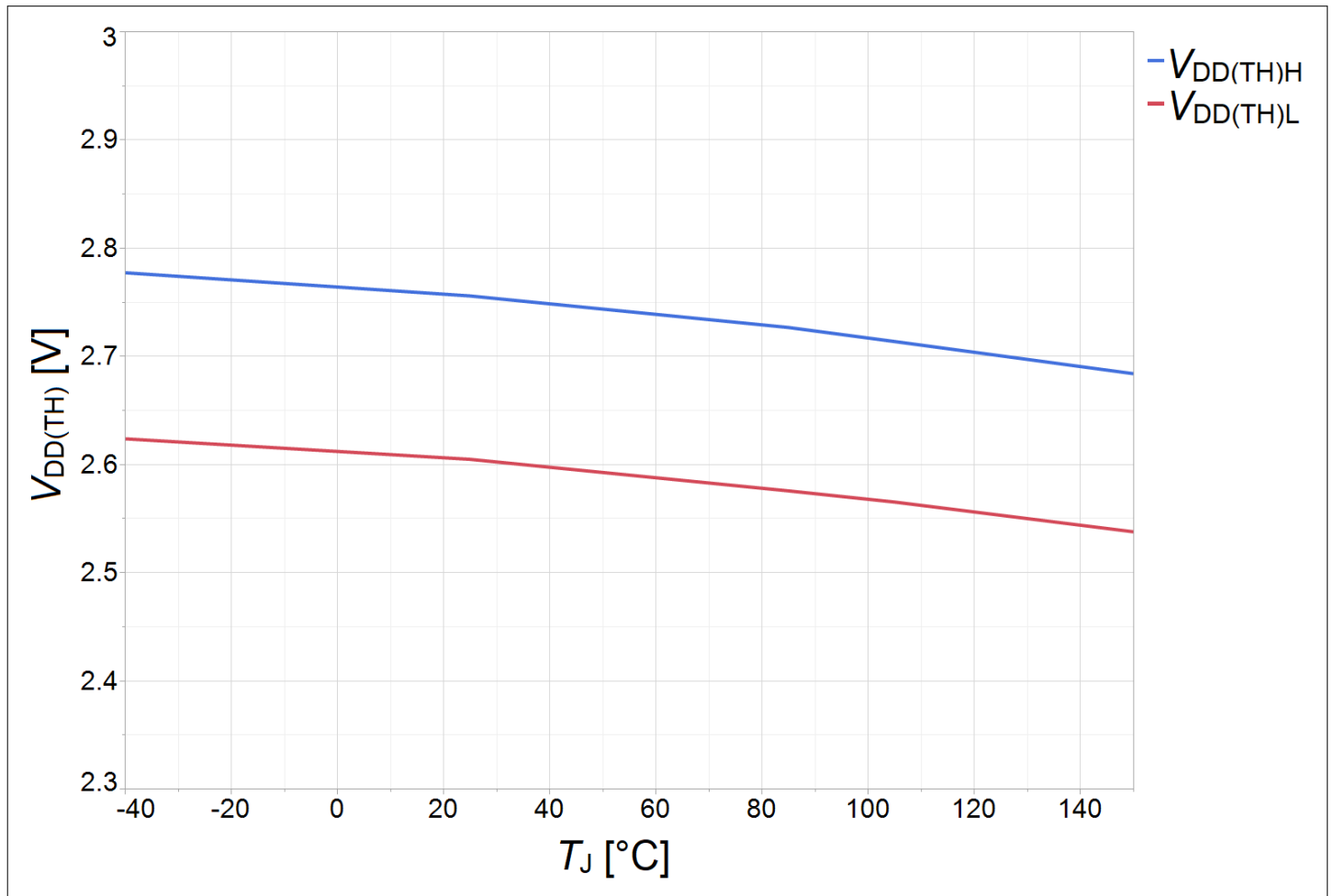


Figure 26 Typical  $V_{DD(TH)}$  versus  $T_J$  at  $T_J = -40 .. 150^\circ\text{C}$ ;  $V_{DD(TH)H}$  and  $V_{DD(TH)L}$ ;  $V_{IN} = 3\text{ V}$ ;  $R_{LOAD} = 150\text{ k}\Omega$ ;  $R_{SRP} = GND$ ;  $V_{BAT} = 28\text{ V}$

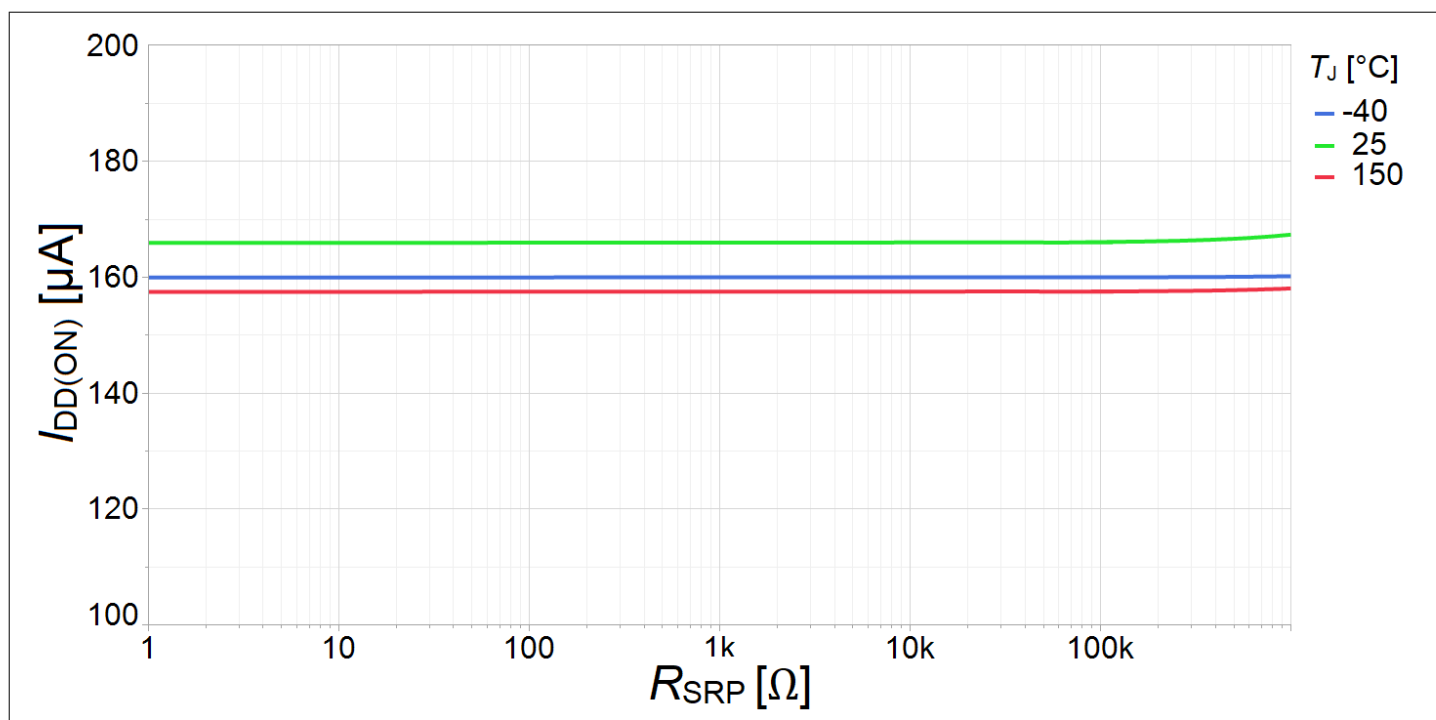


Figure 27 Typical  $I_{DD(ON)}$  versus  $R_{SRP}$  at  $T_J = -40 \dots 150^\circ C$ ,  $I_L = I_{L(NOM)}$ ;  $V_{IN} = 3 V$ ;  $V_{DD} = 5 V$ ;  $V_{BAT} = 28 V$ ;  $R_{SRP} = GND$

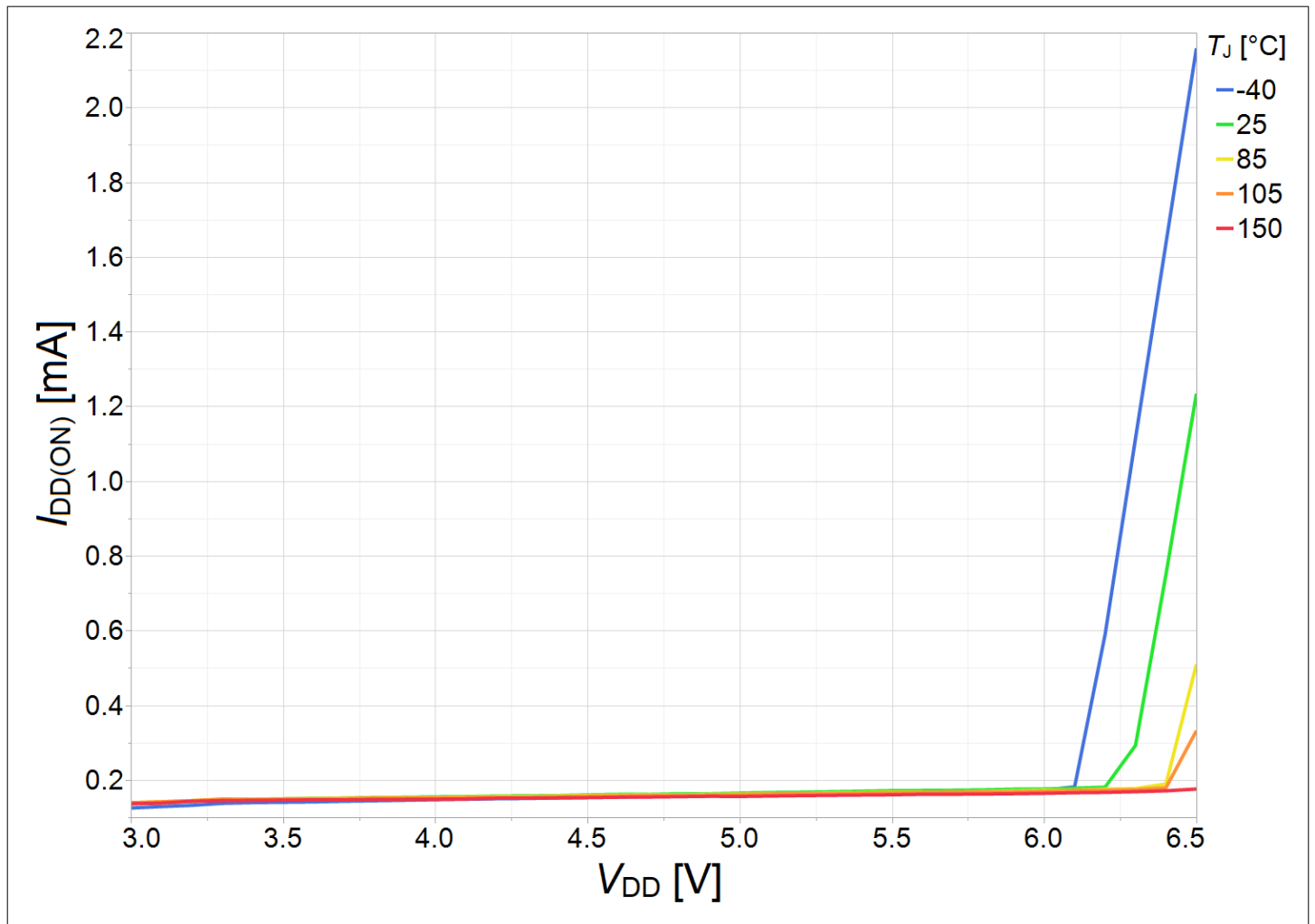


Figure 28 Typical  $I_{DD(ON)}$  versus  $V_{DD}$  at  $V_{DD} = 3 \dots 6.5$  V;  $T_J = -40 \dots 150$ °C;  $I_L = I_{L(NOM)}$ ;  $V_{IN} = 3$  V;  $V_{BAT} = 28$  V;  $R_{SRP} = GND$

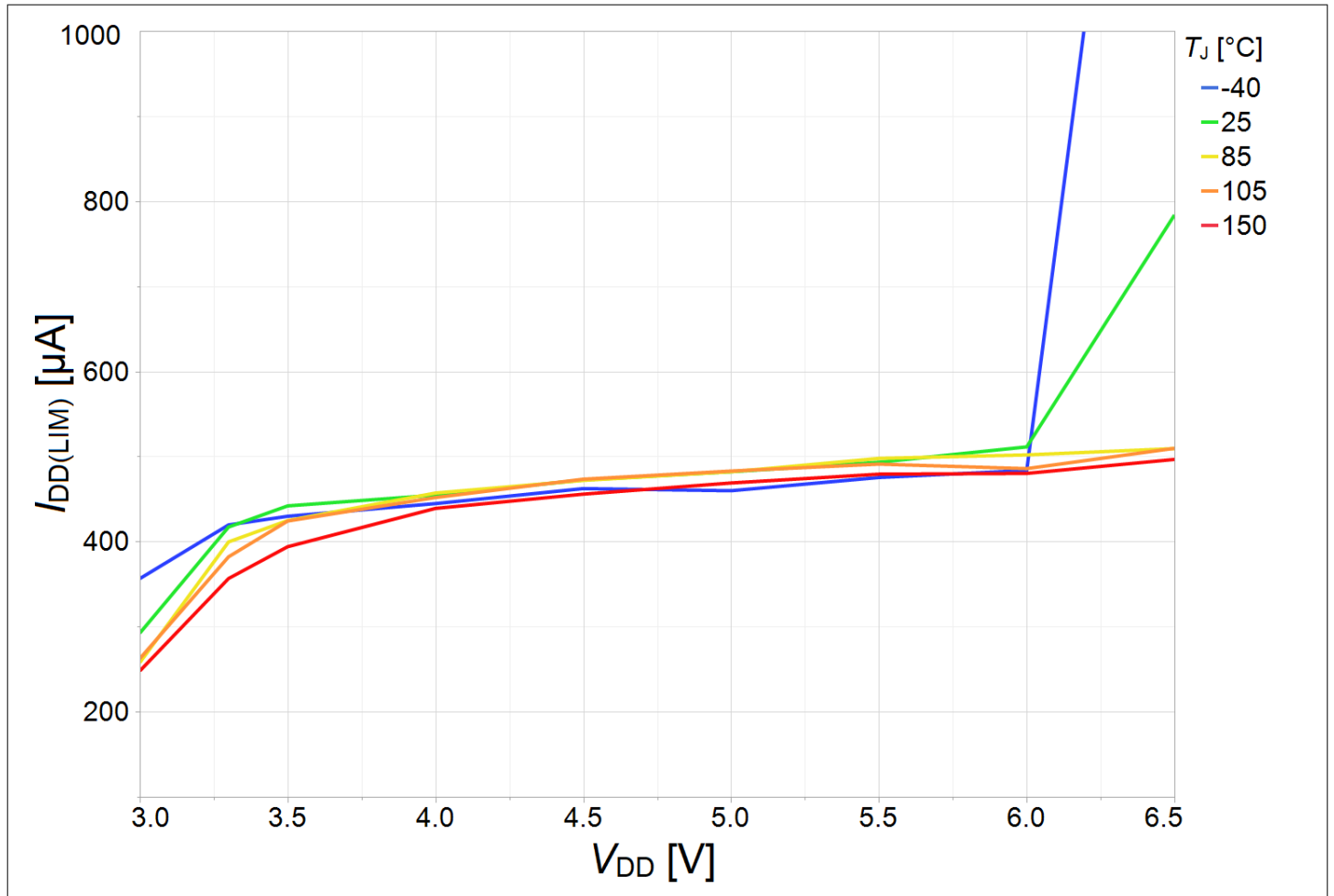


Figure 29 Typical  $I_{DD(LIM)}$  versus  $V_{DD}$  at  $V_{DD} = 3 \dots 6.5$  V;  $T_J = -40 \dots 150$  °C;  $V_{IN} = 3$  V;  $R_{SRP} = GND$ ;  $V_{BAT} = 5$  V

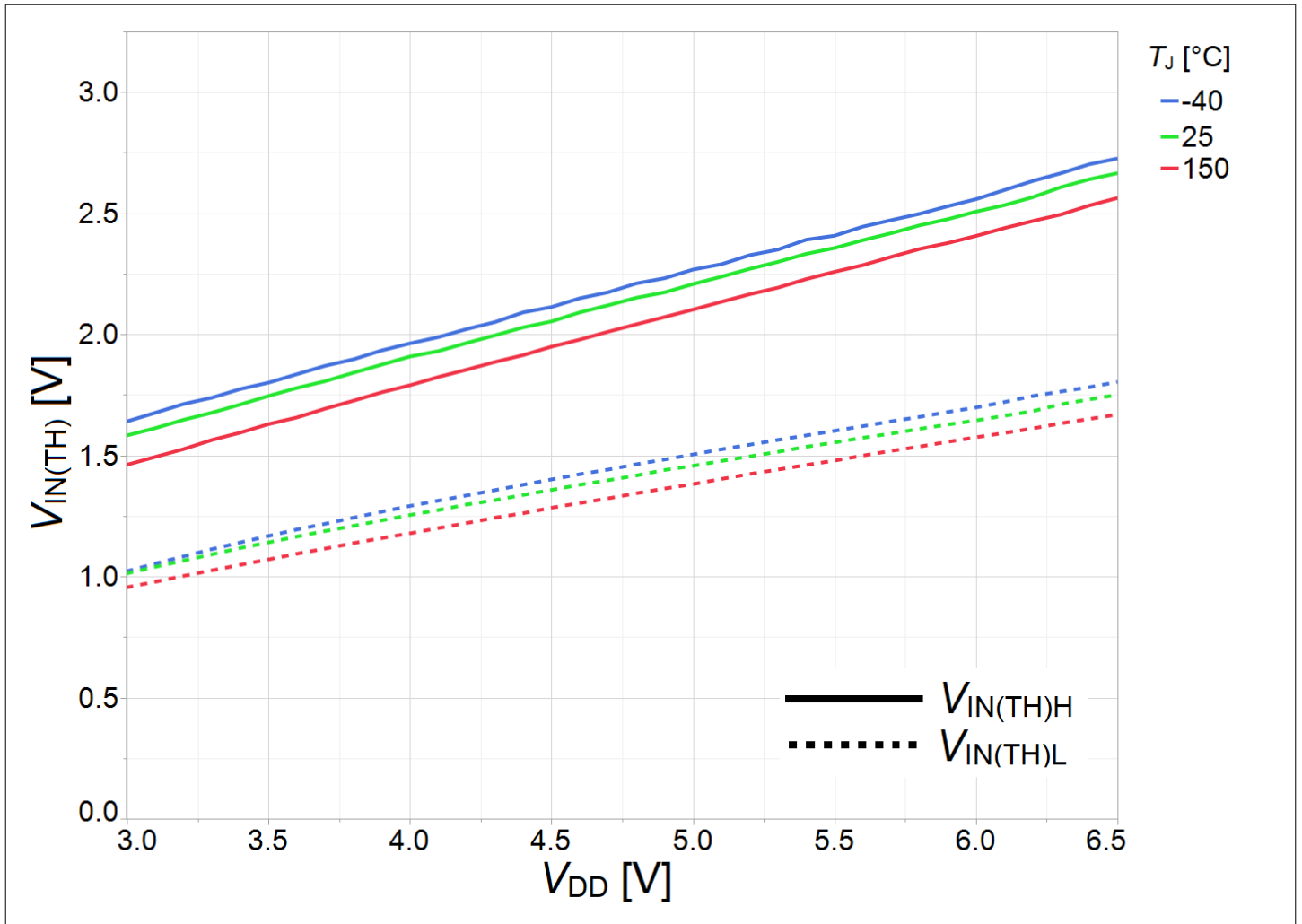


Figure 30 Typical  $V_{IN(TH)}$  versus  $V_{DD}$   $V_{IN(TH)H}$  and  $V_{IN(TH)L}$ ;  $V_{DD} = 3 \dots 6.5$  V;  $T_J = -40 \dots 150^\circ\text{C}$ ;  $R_{LOAD} = 150$  k $\Omega$ ;  $R_{SRP} = GND$ ;  $V_{BAT} = 28$  V

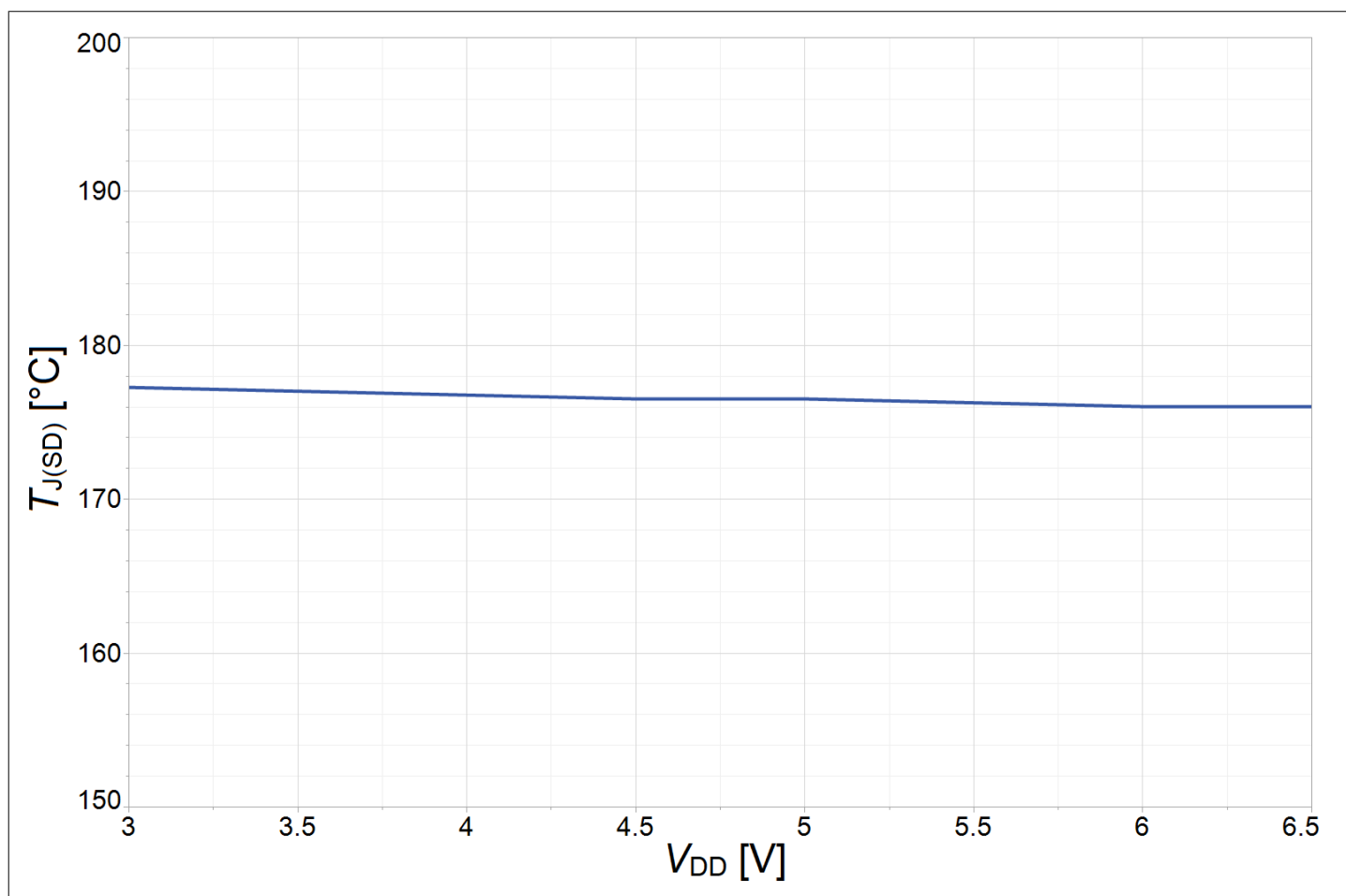


Figure 31 Typical  $T_{jSD}$  versus  $V_{DD}$  at  $V_{IN} = 3 \dots 5.5 \text{ V}$ ;  $V_{DD} = 3, 6.5 \text{ V}$ ;  $I_L = I_{L(NOM)}$ ;  $V_{BAT} = 28 \text{ V}$

## 10 Application information

### 10.1 Layout recommendations and considerations

As consequences of the fast switching times for high currents ( $I_{\text{NOM}}$  and above), special care has to be taken to the PCB layout. Stray inductances have to be minimized, as BTT3050EJ has no separate pin for power ground and logic ground. Therefore, it is recommended:

- To ensure that the offset between the ground connection of the SRP resistor and ground pins of the device is minimized.  $R_{\text{SRP}}$  should be placed next to the device and directly connected to the GND pins, to avoid any influence of GND shift to SRP functionality.
- To ensure that the offset between the ground of the  $V_{\text{DD}}$  supply and the ground of the pins of the device is minimized.

The maximum parasitic capacitance between the SRP line and GND ( $C_{\text{SRP}}$ ) has to be less than 10 pF to avoid any influence on SRP functionality (e.g. switching times).

### 10.2 Application diagrams

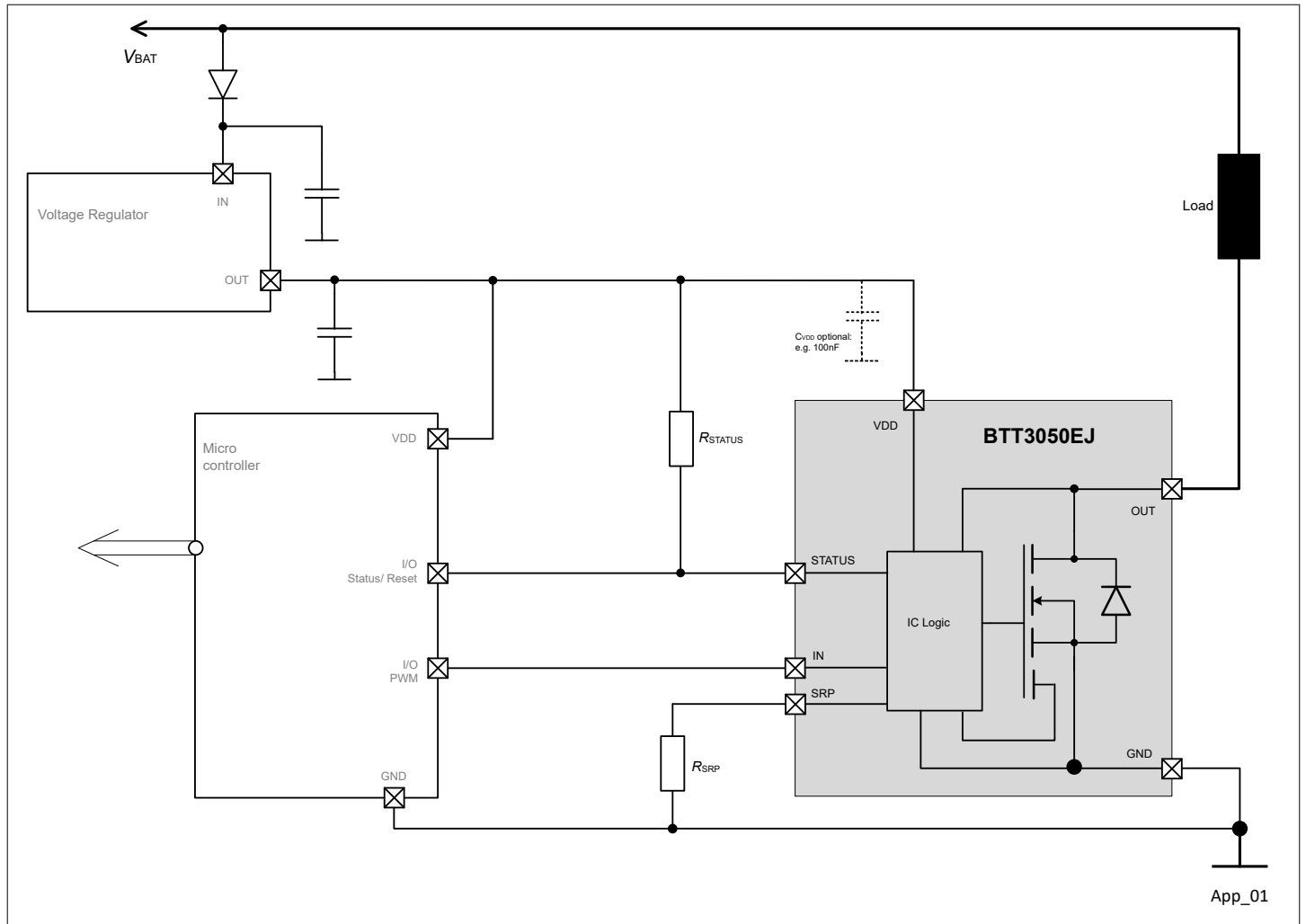
*Note:* The following information is given as a hint for the implementation of the device only and shall not be regarded as a description or warranty of a certain functionality, condition or quality of the device.

Recommended values for  $V_{\text{IN}} = V_{\text{DD}} = 5 \text{ V}$ :  $R_{\text{STATUS}} = 100 \text{ k}\Omega$ .

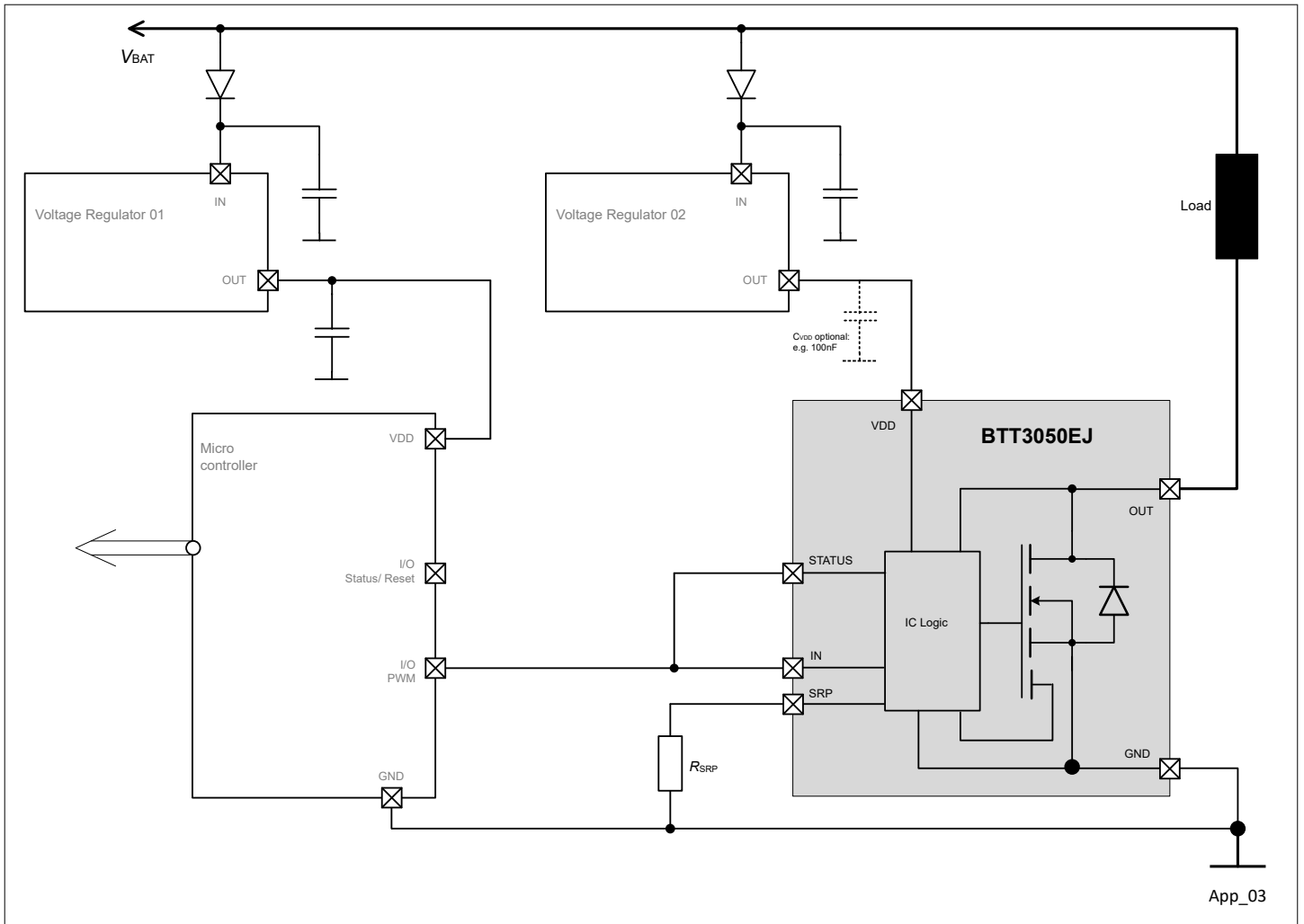
**Table 10**  $R_{\text{SRP}}$  switching modes

| $R_{\text{SRP\_min}}$ | $R_{\text{SRP\_max}}$ | Unit       | Behavior  |
|-----------------------|-----------------------|------------|---|
| 0                     | 2.2                   | k $\Omega$ | Fast switching mode. SRP pin can be connected to GND. |
| 2.2                   | 160                   | k $\Omega$ | Adjustable switching mode                             |
| 160                   | 1000                  | k $\Omega$ | Slow switching mode                                   |

For switching timings, please refer to [Power stage](#).



**Figure 32** Application diagram to use IN pin and STATUS pin independently



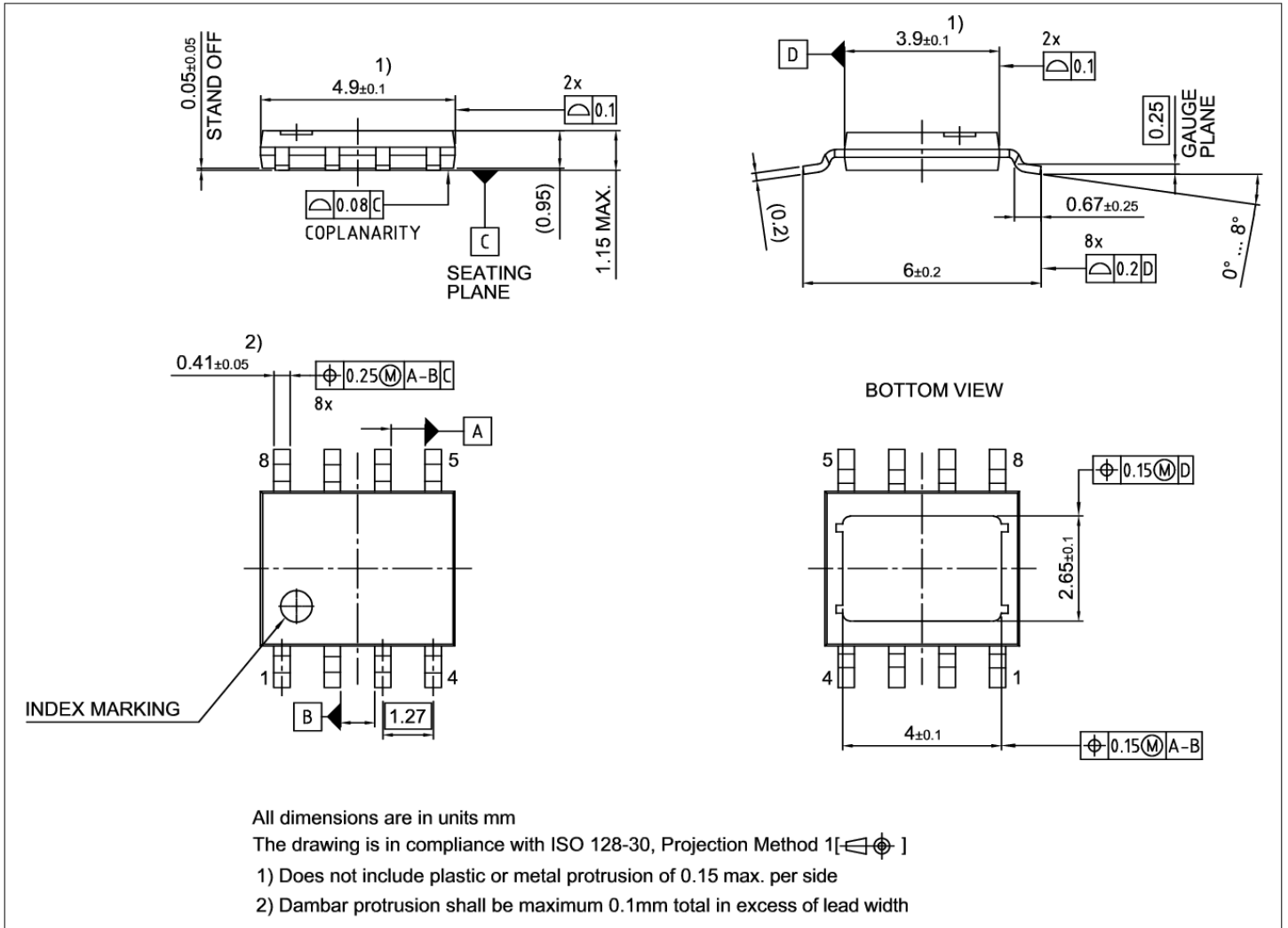
**Figure 33** Application diagram to use IN pin and STATUS pin simultaneously with different supply and microcontroller voltage class

Example given for  $V_{IN} = 3.3\text{ V}$ ;  $V_{DD} = 5\text{ V}$  allows to maintain an optimal  $R_{DS(ON)}$  while driving the input with a 3.3 V microcontroller. This configuration does not make possible the readout of the fault signal and will reset the latch OFF via IN pin (see parameters in [Diagnostics](#)).

For  $R_{SRP}$  recommended values, please see [Table 10](#).

*Note:* This are very simplified examples of an application circuit. The function must be verified in the real application.

**11 Package**



**Figure 34 PG-TDSO-8**

To meet the world-wide customer requirements for environmentally friendly products and to be compliant with government regulations the device is available as a green product. Green products are RoHS-Compliant (i.e Pb-free finish on leads and suitable for Pb-free soldering according to IPC/JEDEC J-STD-020).

## Revision history

| Document version | Date of release | Description of changes   |
|------------------|-----------------|--|
| Rev.1.00         | 2022-01-18      | <ul style="list-style-type: none"><li>Datasheet creation</li></ul> |

## Trademarks

All referenced product or service names and trademarks are the property of their respective owners.

**Edition 2022-01-18**

**Published by**

**Infineon Technologies AG**

**81726 Munich, Germany**

**© 2022 Infineon Technologies AG**

**All Rights Reserved.**

**Do you have a question about any aspect of this document?**

**Email: [erratum@infineon.com](mailto:erratum@infineon.com)**

**Document reference**

**IFX-jxg1642157686944**

## IMPORTANT NOTICE

The information given in this document shall in no event be regarded as a guarantee of conditions or characteristics ("Beschaffenhheitsgarantie").

With respect to any examples, hints or any typical values stated herein and/or any information regarding the application of the product, Infineon Technologies hereby disclaims any and all warranties and liabilities of any kind, including without limitation warranties of non-infringement of intellectual property rights of any third party.

In addition, any information given in this document is subject to customer's compliance with its obligations stated in this document and any applicable legal requirements, norms and standards concerning customer's products and any use of the product of Infineon Technologies in customer's applications.

The data contained in this document is exclusively intended for technically trained staff. It is the responsibility of customer's technical departments to evaluate the suitability of the product for the intended application and the completeness of the product information given in this document with respect to such application.



## WARNINGS

Due to technical requirements products may contain dangerous substances. For information on the types in question please contact your nearest Infineon Technologies office.





Except as otherwise explicitly approved by Infineon Technologies in a written document signed by authorized representatives of Infineon Technologies, Infineon Technologies' products may not be used in any applications where a failure of the product or any consequences of the use thereof can reasonably be expected to result in personal injury.

## Looking for pricing, stock, or lifecycle information?

Click below to explore more details on WIN SOURCE:

-  [View BTT3050EJXUMA1 on WIN SOURCE](#)
-  [Infineon Technologies Information](#)

## Optimize Your Supply Chain with WIN SOURCE Solutions

-  Global Sourcing Solution
-  Obsolete Management
-  Cost Control Management
-  Shortage Management
-  Alternative Solution
-  Excess Inventory Management