



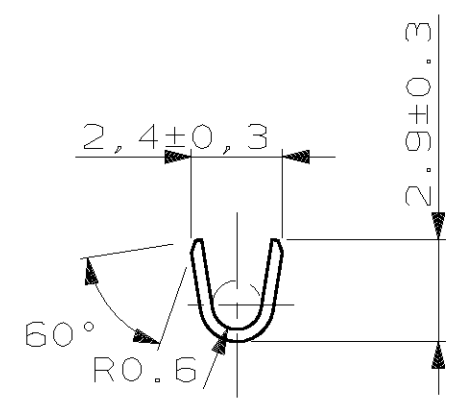
THE DATASHEET OF
142754-1



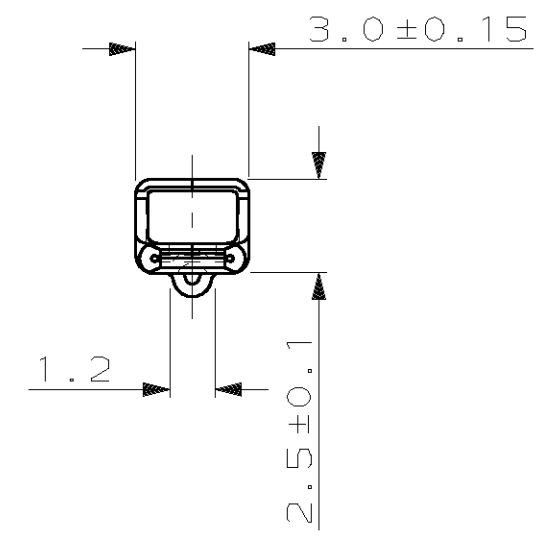
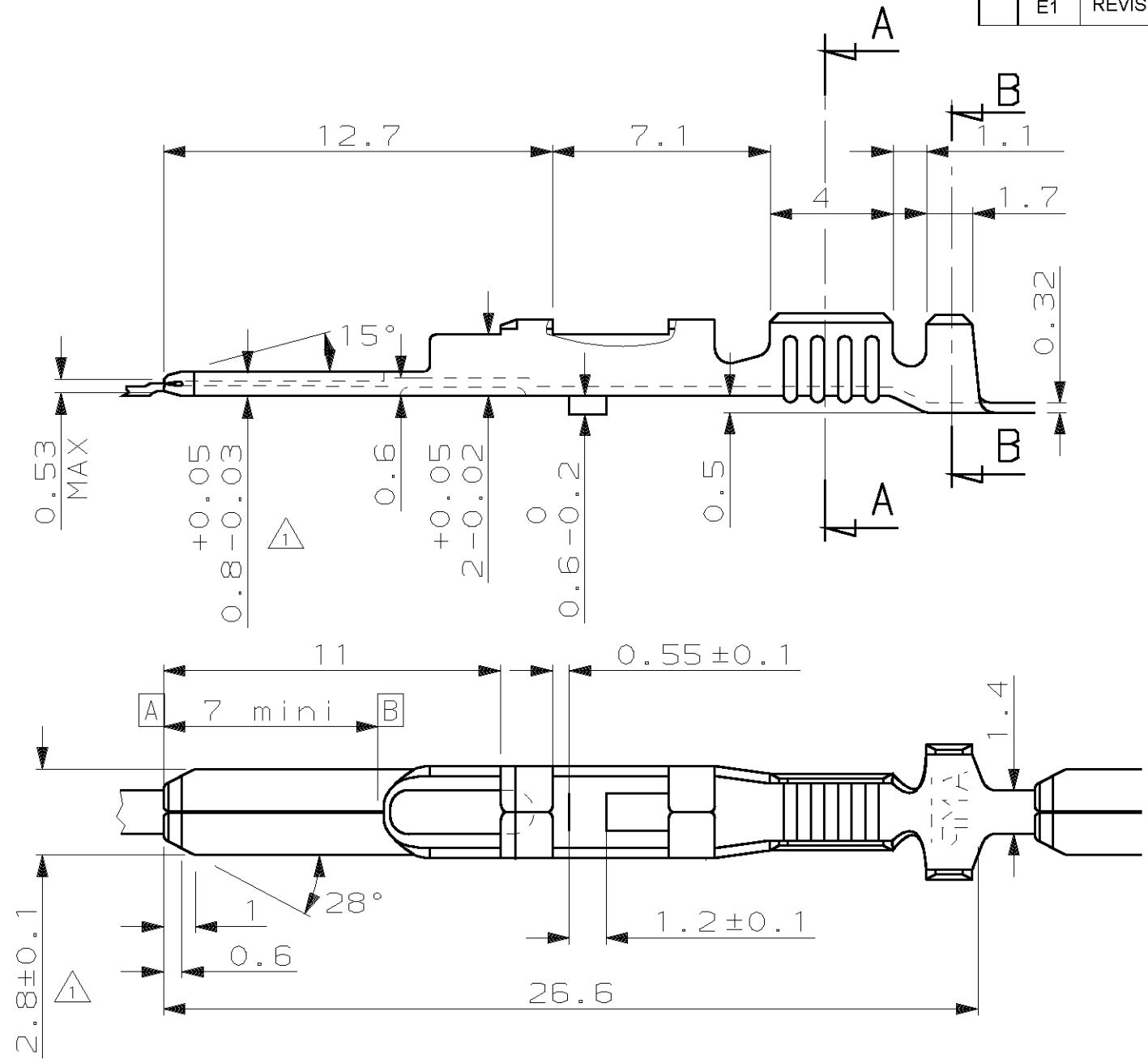
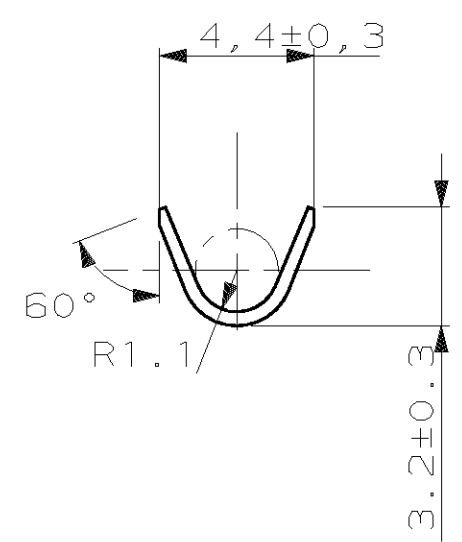
THIS DRAWING IS UNPUBLISHED. RELEASED FOR PUBLICATION

LOC F	DIST 7	REVISIONS		
P	LTR REV	DESCRIPTION MODIFICATIONS	DATE	DWN DESS.
	E1	REVISED PER ECO-11-005150	28MAR11	RK
				APVD APP. HMR

COUPE AA




COUPE BB



NOTES:


- 1. LES COTES DE 2.8 ET 0.8 DOIVENT ETRE TENUES ENTRE [A] ET [B].
- 2. PAS DU PRODUIT EN BANDE : 28,45 ± 0,15
- 3. 2-142754-1 WITH REELING ACCORDING TO 107-3 FIG 8 FOR SPAIN PRODUCTION ONLY (2-142754-1 pour bobinage en accord avec 107-3 fig 8 pour production Espagnole seulement)

142754-1

THIS DRAWING IS A CONTROLLED DOCUMENT. CE PLAN EST UN DOCUMENT CONTROLE.		DWN/DESSINE Remi PATIN 11-JUL-03	 TE Connectivity	
DIMENSIONS: mm		CHK/VERIFIE JP PICAUD 11-JUL-03		
TOLERANCES UNLESS OTHERWISE SPECIFIED: TOLERANCES NON SPECIFIEES (SUIV NB DE DECIMALES):		APVD/APPROUVE J DAHER 11-JUL-03	NAME TITRE	
0 - PLC/DEC ±		PRODUCT SPEC SPEC. PRODUIT	LANGUETTE 2.8X0.8 MIC IV	
1 - PLC/DEC ± 0.3		APPLICATION SPEC SPEC. APPLICATION	SIZE FORMAT	RESTRICTED TO
2 - PLC/DEC ±			A3	-
3 - PLC/DEC ±			CAGE CODE	DRAWING NO
4 - PLC/DEC ±			00779	C-142754
ANGLES ± 2°		WEIGHT MASSE APPROX.		
MATERIAL MATIERE	LAITON	FINISH FINITION	PRE-ETAME	
CUSTOMER DRAWING/PLAN CLIENT		UNIQUEMENT POUR REFERENCE	SCALE ECHELLE	SHEET FEUILLE
			5:1	1 OF 1 DE 1
				REV E1

Looking for pricing, stock, or lifecycle information?

Click below to explore more details on WIN SOURCE:

 [View 142754-1 on WIN SOURCE](#)

 [TE Connectivity](#) Information

Optimize Your Supply Chain with WIN SOURCE Solutions

-  Global Sourcing Solution
-  Obsolete Management
-  Cost Control Management
-  Shortage Management
-  Alternative Solution
-  Excess Inventory Management