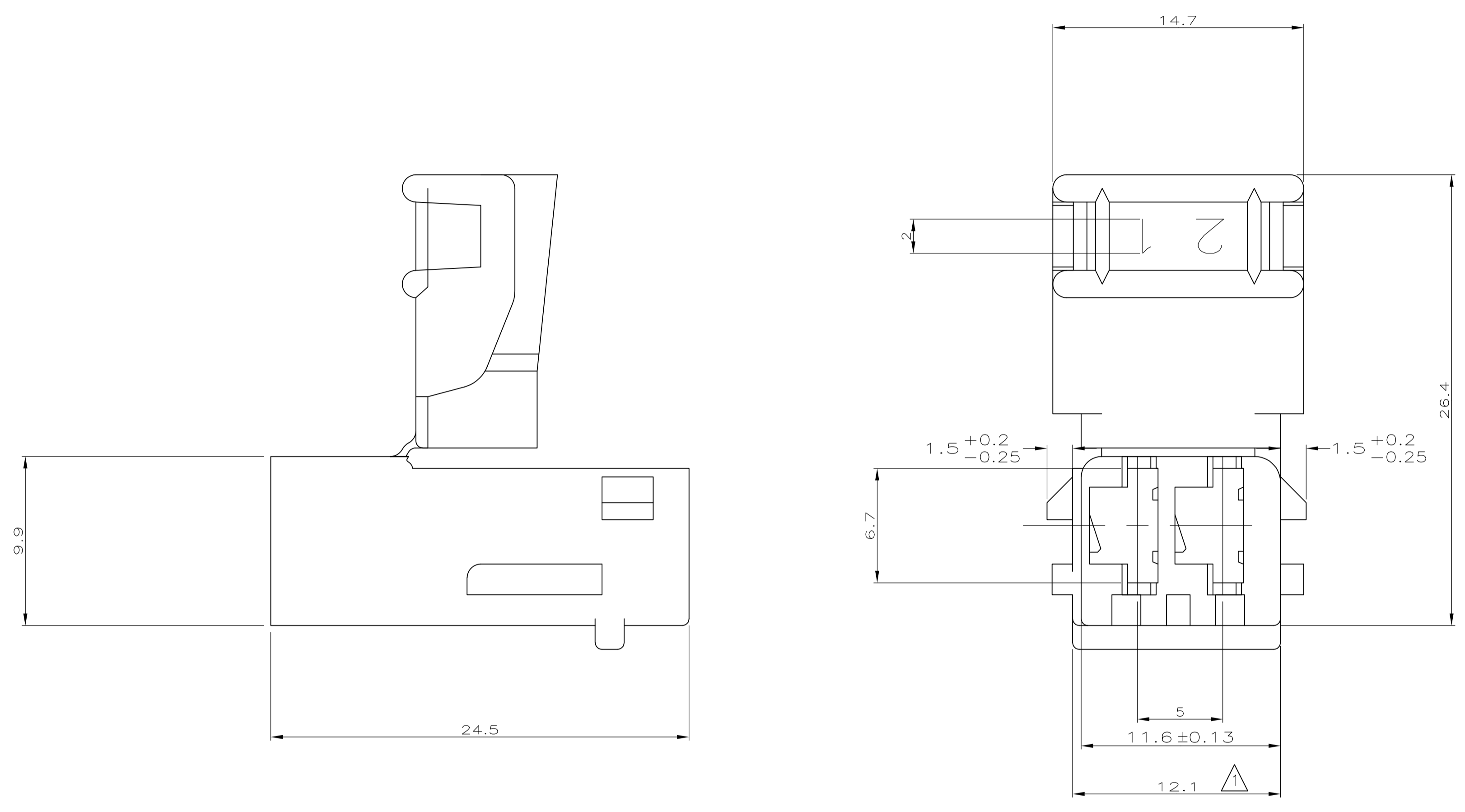
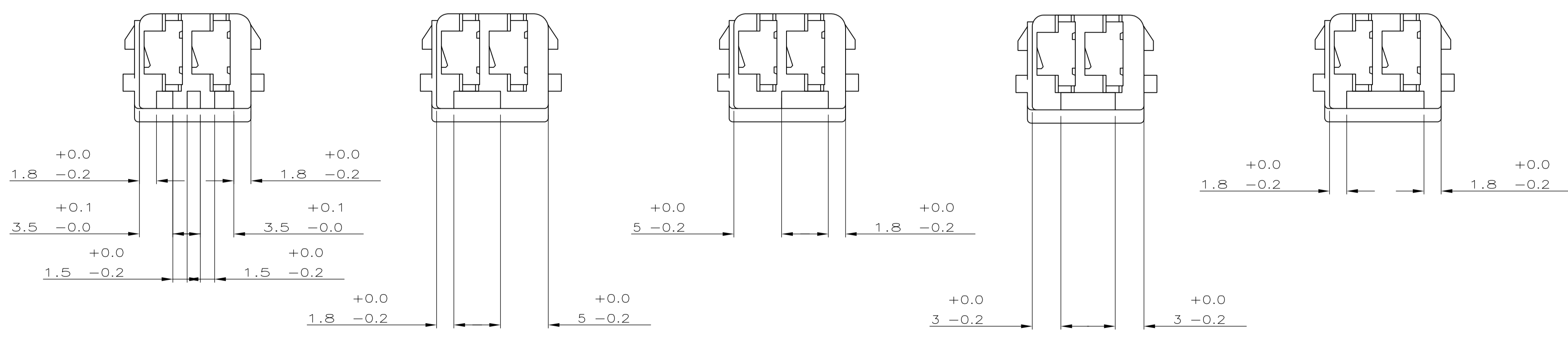


LOC		DIST		REVISIONS			
F	7	P	LTR	DESCRIPTION	DATE	DWN	APVO
		REV		MODIFICATIONS		DESS	APP
		H1		REVISED PER ECO-11-005150	21MAR11	RK	HMR



NOTE \triangle : 11.6 MINI ADMIS AVEC DEFORMATION



142680-4	142680-9	142680-1	142680-2	142680-0	1 SAC: 3200 PIECES 1 BAG: 3200 PARTS
142680-7	142680-8	1-142680-1	142680-6	1-142680-0	8 SACS: 400 PIECES PAR SAC (8 BAGS: 400 PARTS BY BAG)
JAUNE (YELLOW)	BLANC (WHITE)	MARRON (BROWN)	ROUGE (RED)	NOIR (BLACK)	COULEUR (COLOR)

THIS DRAWING IS A CONTROLLED DOCUMENT.
 CE PLAN EST UN DOCUMENT CONTROLE

DIN/DESSINE 29-APR-97
 Remi FATIN
 CHK/VERIFIE 05-OCT-98
 JP PICAUD
 APVO/APPROUVE 05-OCT-98
 JL REVILL
 MME TITRE

STE TE Connectivity

BOITIER POSTIVE LOCK 2 VOIES

PRODUCT SPEC. S'PLIC PROCDIT 108-15036
 APPLICATION SPEC. S'PLIC APPLICATION 114-15008
 WEIGHT MASSE APPROX 1.640g
 CUSTOMER DRAWING/PLAN CLIENT POUR REFERENCE

UNIFORMENT SCALE ECHELLE 5:1
 SHEET FEUILLE 1 DE 1

RESTRICTED TO RESERVE A

SIZE FORMAT A1
 CASE CODE 00779
 DRAWING NO N° PLAN 142680

CONDITIONNEMENT (PACKAGING)

MATERIAL MATIERE PA 6.6
 FINISH FINITION -

Looking for pricing, stock, or lifecycle information?

Click below to explore more details on WIN SOURCE:

[View 142680-4 on WIN SOURCE](#)

[TE Connectivity Information](#)

Optimize Your Supply Chain with WIN SOURCE Solutions

- ✓ Global Sourcing Solution
- ✓ Obsolete Management
- ✓ Cost Control Management
- ✓ Shortage Management
- ✓ Alternative Solution
- ✓ Excess Inventory Management