

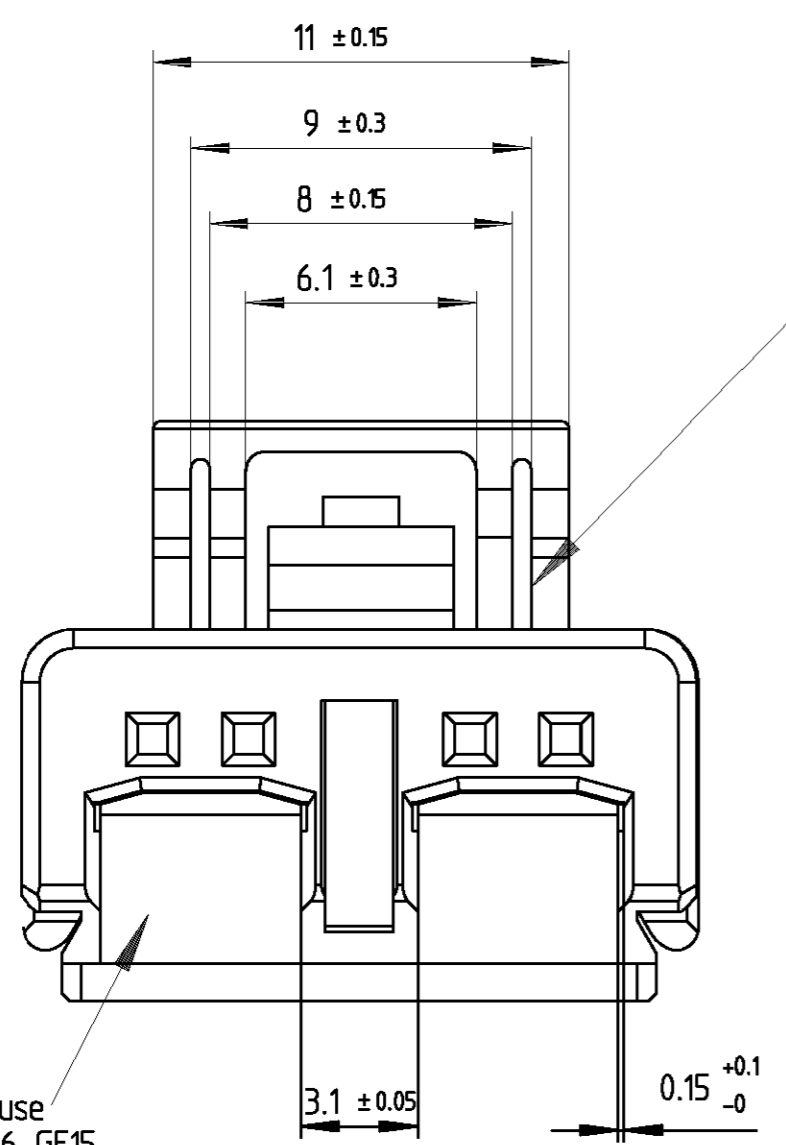


THE DATASHEET OF
1411142-1



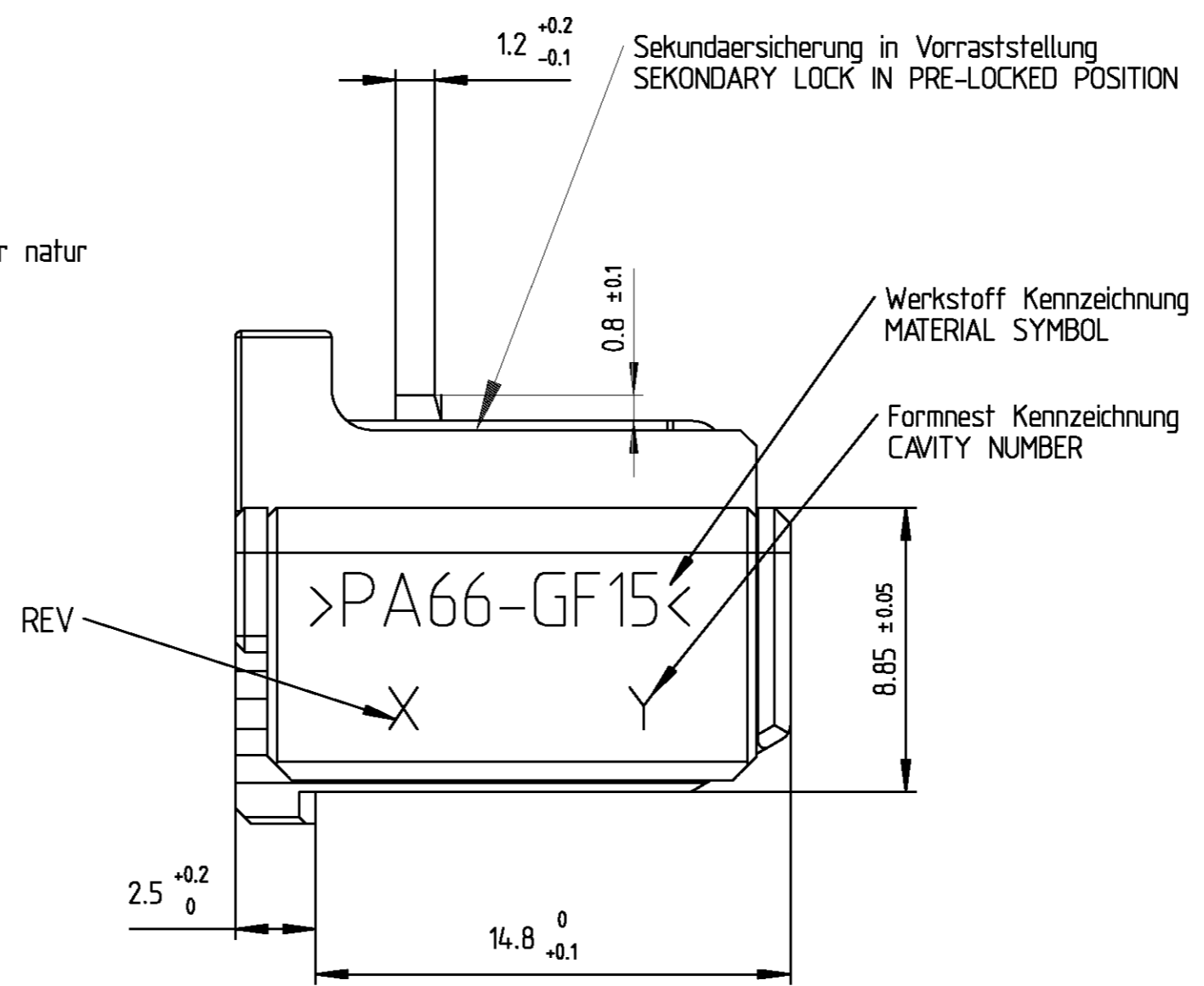
THIS DRAWING IS UNPUBLISHED. RELEASED FOR PUBLICATION 23.1.2001
 COPYRIGHT 2001 BY AMP INCORPORATED. ALL RIGHTS RESERVED.

REVISIONS					
P	LTR	DESCRIPTION	DATE	DWN	APVD
A1		EG00-0722-01	12.03.01	PS	BR
A2		added 141114-2-1	09.12.02	PS	BL
A3		DRAWING UPDATE, EG00-2068-03	11.06.03	PS	BL
A4		DRAWING UPDATE, EGA0-0149-03	14.08.03	PS	BL



Buchsengehäuse
 Material: PA66 GF15
 Farbe: verkehrsgelb
 SOCKET HOUSING
 MATERIAL: PA66 GF15
 COLOUR: TRAFFIC-YELLOW

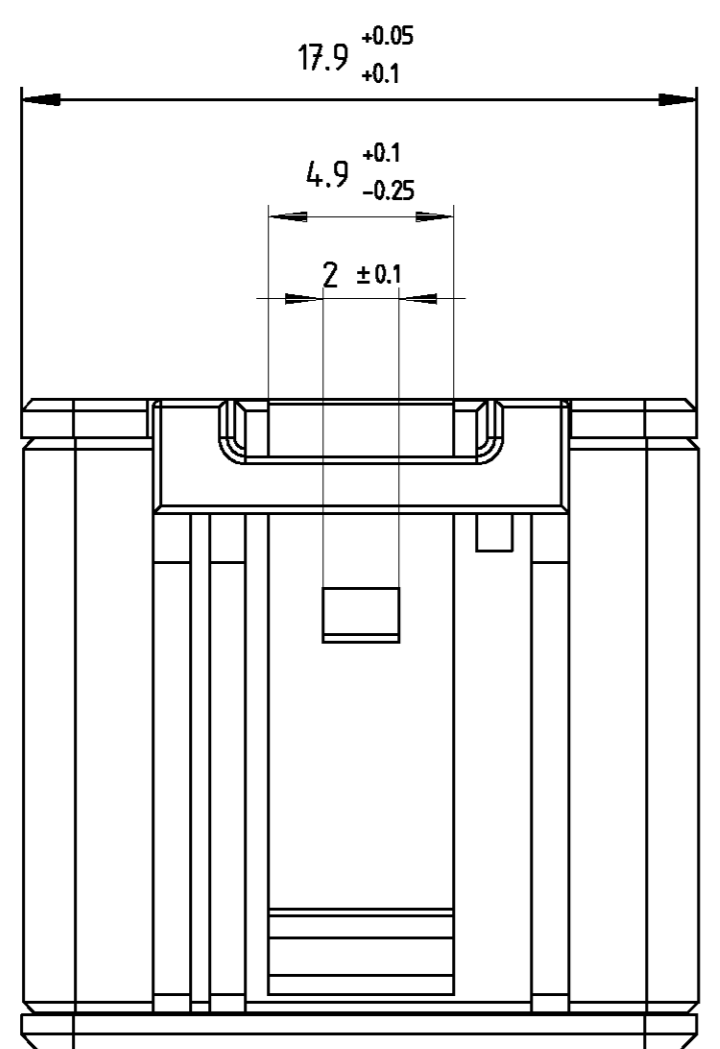
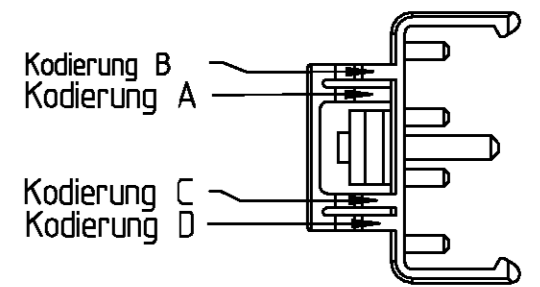
Sekundaersicherung
 Material: PA66 GF15
 Farbe: verkehrspurpur oder natur
 SECONDARY LOCK
 MATERIAL: PA66 GF15
 COLOUR: NATURE



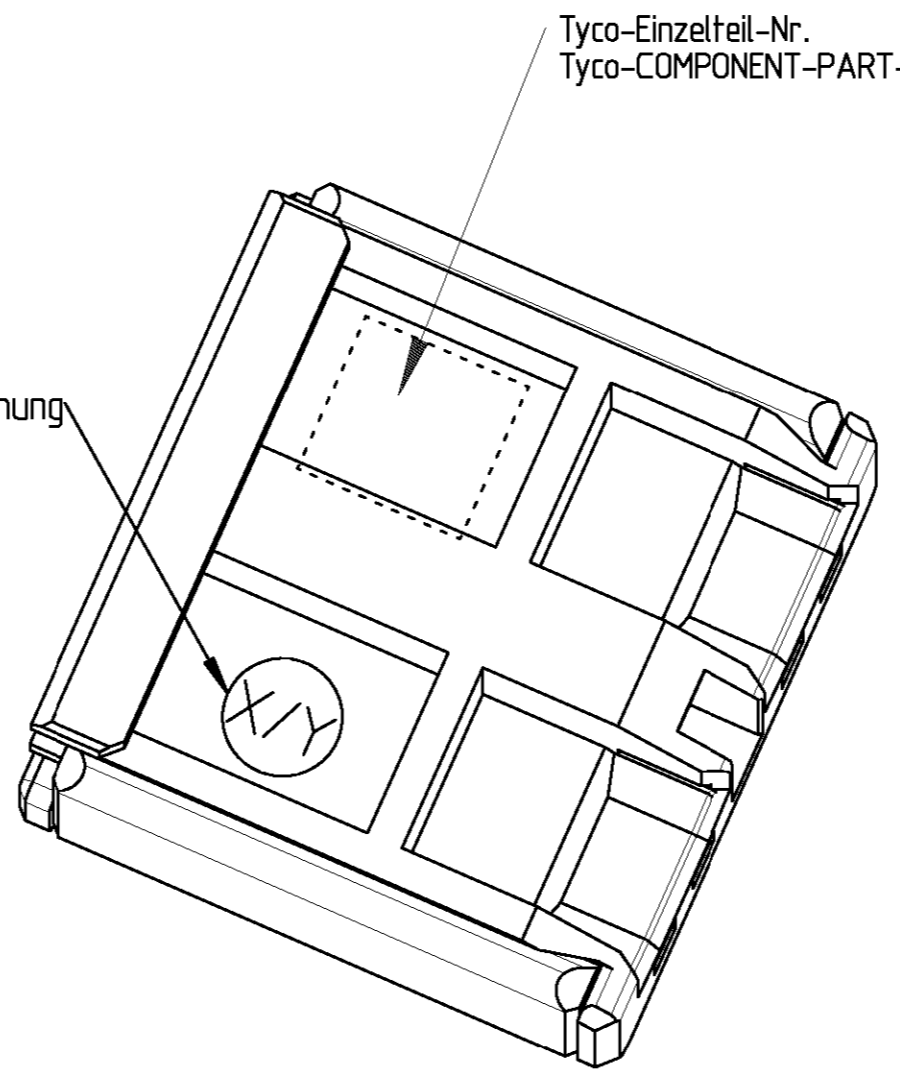
Sekundaersicherung in Vorraststellung
 SEKONDARY LOCK IN PRE-LOCKED POSITION

Werkstoff Kennzeichnung
 MATERIAL SYMBOL
 Formnest Kennzeichnung
 CAVITY NUMBER

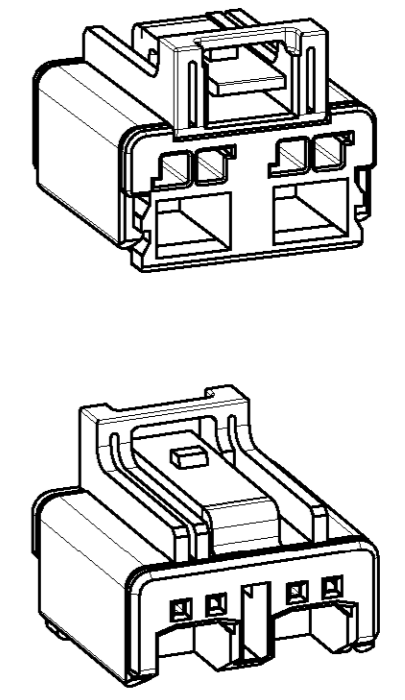
mögliche Kodierung an Buchsengehäuse-Assy
 POSSIBLE CODINGS AT SOCKET-HOUSING-ASSY



REV/Formnest-Kennzeichnung
 REV/CAVITY NUMBER



Tyco-Einzelteil-Nr.
 Tyco-COMPONENT-PART-NO.



Passende Stiftgehäuse:
 APPOSITELY PIN HOUSING

---	---
---	---
1411067-1	M5304-Y20
AMP	V23540-
Assy-PN	EC Bestell-Nr.

Diese Tyco AMP-Zeichnung ersetzt EC Zeichnung V23540-M5304-Y10-*-7427 und Stückliste V23540-M5304-Y10-*-7

0-141114-2-1	seitlich/SIDEWAYS	0-141139-2	A	SECONDARY LOCK/Sekundaersicherung
		0-141114-2	A	SOCKET HOUS./Buchsengeh.
ASSY/ORDER-NO. ZSB/Bestell-Nr.	Kontaktkodierung CONTACT CODING	COMPONENT-PART-NO. Einzelteil-Nr.	REV.	DESCRIPTION Beschreibung

THIS DRAWING IS A CONTROLLED DOCUMENT FOR AMP INCORPORATED. IT IS SUBJECT TO CHANGE AND THE CONTROLLING ENGINEERING ORGANIZATION SHOULD BE CONTACTED FOR THE LATEST REVISION.		DWN P. Spohr 23.1.01		tyco Electronics		tyco Electronics AMP GmbH D-64625 Bensheim	
DIMENSIONS: mm		TOLERANCES UNLESS OTHERWISE SPECIFIED: 0-PLC ± 1-PLC ± 2-PLC ± 3-PLC ± 4-PLC ± ANGLES ± FINISH ±		CHK B. Reiss 23.1.01		NAME Buchsengehäuse 4-polig, ELO-Kupplung, Kurzschluss	
MATERIAL		APVD S. Glaser 23.1.01		PRODUCT SPEC		APPLICATION SPEC	
WEIGHT		SCALE 5:1		SHEET 1 OF 1		REV A4	
CUSTOMER DRAWING		SIZE A2		CAGE CODE 00779		DRAWING NO. 1411142	

Looking for pricing, stock, or lifecycle information?

Click below to explore more details on WIN SOURCE:

 [View 1411142-1](#) on WIN SOURCE

 [TE Connectivity](#) Information

Optimize Your Supply Chain with WIN SOURCE Solutions

-  Global Sourcing Solution
-  Obsolete Management
-  Cost Control Management
-  Shortage Management
-  Alternative Solution
-  Excess Inventory Management