



**THE DATASHEET OF**  
**1414089**



## Connector - SACC-MSD-4PCT-SH PN SCO - 1414089

Please be informed that the data shown in this PDF Document is generated from our Online Catalog. Please find the complete data in the user's documentation. Our General Terms of Use for Downloads are valid (<http://phoenixcontact.com/download>)



Connector, PROFINET CAT5 (100 Mbps), 4-position, halogen-free, shielded, Plug straight M12, D-coded, Crimp connection, Knurl material: Zinc die-cast, nickel-plated, External cable diameter 5.5 mm ... 10 mm, with crimp contacts

### Product Features

- Safe use in the field, thanks to a high degree of protection
- Flexible: connectors for on-site assembly
- Save time, thanks to installation with SPEEDCON fast locking system
- Reliable signal transmission - 360° shielding in environments with electromagnetic interference



### Key Commercial Data

|                                      |          |
|--------------------------------------|----------|
| Packing unit                         | 1 pc     |
| Weight per Piece (excluding packing) | 20.0 g   |
| Custom tariff number                 | 85366990 |
| Country of origin                    | China    |

### Technical data

#### Dimensions

|   |                  |
|---|------------------|
| Wrench size, union nut                  | 15 mm            |
| External diameter                       | 5.5 mm ... 10 mm |
| Stripping length of the sheath          | 26 mm            |
| Stripping length of the individual wire | 4.5 mm +0,5 mm   |

#### Ambient conditions

|                      |      |
|----------------------|------|
| Degree of protection | IP65 |
|                      | IP67 |

#### General

|      |   |
|------|---|
| Note | This product corresponds to the PROFINET Cabling and Interconnection Technology Guideline for PROFINET regulations, version 2.00, order |
|------|---|

## Connector - SACC-MSD-4PCT-SH PN SCO - 1414089

### Technical data

#### General

|                                |  |
|--------------------------------|--|
|                                | no: 2.252, Chapter 8.2 Connectors for Outside Environment (Balanced cabling)             |
| Rated current at 40°C          | 4 A  |
| Rated voltage                  | 60 V DC  |
|                                | 48 V AC  |
| Number of positions            | 4  |
| Insulation resistance          | ≥ 100 Ω  |
| Coding                         | D - data   |
| Standards/regulations          | M12 connector IEC 61076-2-101  |
|                                | Shock, vibration EN 50155:2001   |
| Signal type/category           | PROFINET CAT5 (IEC 11801), 100 Mbps  |
| Status display                 | No   |
| Overvoltage category           | II   |
| Pollution degree               | 3  |
| Connection method              | Crimp connection   |
| AWG conductor cross section    | 22 ... 18  |
| Wire diameter incl. insulation | ≤ 2.3 mm   |
| Insertion/withdrawal cycles    | ≥ 100  |
| Torque                         | 0.4 Nm (M12 knurl)   |
|                                | Screw plug insert with sleeve housing as far it will go                                  |
|                                | 5 Nm (Pressure nut with coupling sleeve)   |
| Assembly instructions          | This connector includes one seal for small and one seal for large outer cable diameters. |

#### Material

|  |   |
|--|---|
| Flammability rating according to UL 94 | V0  |
| Contact carrier material               | PA 6.6  |
| Material of grip body                  | Zinc die-cast, nickel-plated  |
| Material, knurls                       | Zinc die-cast, nickel-plated  |
| Sealing material                       | FKM   |
| Standards/regulations                  | PA 6.6: Fire protection in rail vehicles - requirement sets R22, R23, and R24 acc. to DIN EN 45545-2 (Risk level HL1 - HL3) |

### Classifications

#### eCl@ss

|            |          |
|------------|----------|
| eCl@ss 5.1 | 27260701 |
| eCl@ss 6.0 | 27279221 |

# Connector - SACC-MSD-4PCT-SH PN SCO - 1414089

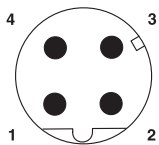
## Classifications

ETIM

|          |          |
|----------|----------|
| ETIM 5.0 | EC002635 |
|----------|----------|

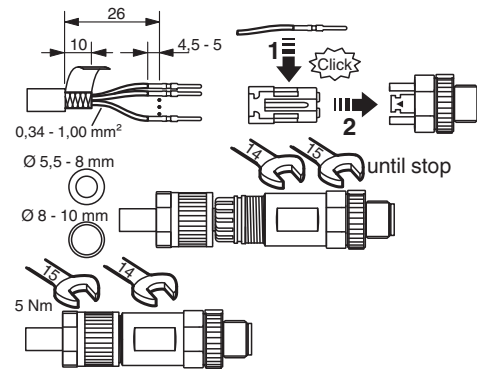
## Drawings

Schematic diagram

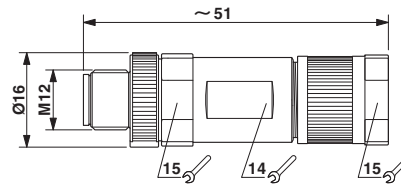


Pin assignment M12 male connector, 4-pos., D-coded, male side

Functional drawing



Dimensional drawing



Plug, M12 x 1, straight, shielded

## Looking for pricing, stock, or lifecycle information?

Click below to explore more details on WIN SOURCE:

 [View 1414089 on WIN SOURCE](#)

 [Phoenix Contact](#) Information

## Optimize Your Supply Chain with WIN SOURCE Solutions

-  Global Sourcing Solution
-  Obsolete Management
-  Cost Control Management
-  Shortage Management
-  Alternative Solution
-  Excess Inventory Management