

Description

The Gunning Transceiver Logic - Transceiver Voltage Clamps (GTL-TVC) provide high-speed voltage translation with low ON-state resistance and minimal propagation delay.

The DIODES PI4GTL2002 provides 2 NMOS pass transistors (Sn and Dn) with a common gate (GREF) and a reference transistor (SREF and DREF). The device allows bidirectional voltage translations between 0.8V and 5.0V without use of a direction pin.

When the Sn or Dn port is LOW the clamp is in the ON-state and a low resistance connection exists between the Sn and Dn ports. Assuming the higher voltage is on the Dn port, when the Dn port is HIGH, the voltage on the Sn port is limited to the voltage set by the reference transistor (SREF). When the Sn port is HIGH, the Dn port is pulled to VCC by the pull-up resistors. This functionality allows a seamless translation between higher and lower voltages selected by the user, without the need for directional control.

All transistors have the same electrical characteristics and there is minimal deviation from one output to another in voltage or propagation delay. This is a benefit over discrete transistor voltage translation solutions, since the fabrication of the transistors is symmetrical. Because all transistors in the device are identical, SREF and DREF can be located on any of the other two matched Sn/Dn transistors, allowing for easier board layout. The translator's transistors provide excellent ESD protection to lower voltage devices and at the same time protect less ESD-resistant devices.

Features

- 2-bit bidirectional translator
- Less than 1.5ns maximum propagation delay to accommodate Standard mode and Fast mode I2C-bus devices and multiple masters
- Allows voltage level translation between 0.8V, 1.2V, 1.5V, 1.8V, 2.5V, 3.3V and 5V buses, which allows direct interface with GTL, GTL+, LVTTTL/TTL and 5V CMOS levels
- Provides bidirectional voltage translation with no direction pin
- Low 3.5Ω ON-state connection between input and output ports provides less signal distortion
- Supports hot insertion
- 5 V tolerant inputs
- Flow-through pinout for ease of printed-circuit board trace routing
- ESD protection exceeds 4KV HBM per JESD22-A114
- Totally Lead-Free & Fully RoHS Compliant (Notes 1 & 2)
- Halogen and Antimony Free. "Green" Device (Note 3)
- For automotive applications requiring specific change control (i.e. parts qualified to AEC-Q100/101/104/200, PPAP capable, and manufactured in IATF 16949 certified facilities), please [contact us](#) or your local Diodes representative.
<https://www.diodes.com/quality/product-definitions/>
- Packaging (Pb-free & Green):
 - 8-Pin, MSOP (M)
 - 8-Pin, VSSOP (V)
 - 8-Pin, X2-DFN (HK)
 - 8-Pin, SOT28 (TA)
 - 8-Pin, SSOP (SS)

Notes:

1. No purposely added lead. Fully EU Directive 2002/95/EC (RoHS), 2011/65/EU (RoHS 2) & 2015/863/EU (RoHS 3) compliant.
2. See <https://www.diodes.com/quality/lead-free/> for more information about Diodes Incorporated's definitions of Halogen- and Antimony-free, "Green" and Lead-free.
3. Halogen- and Antimony-free "Green" products are defined as those which contain <900ppm bromine, <900ppm chlorine (<1500ppm total Br + Cl) and <1000ppm antimony compounds.

Block Diagram

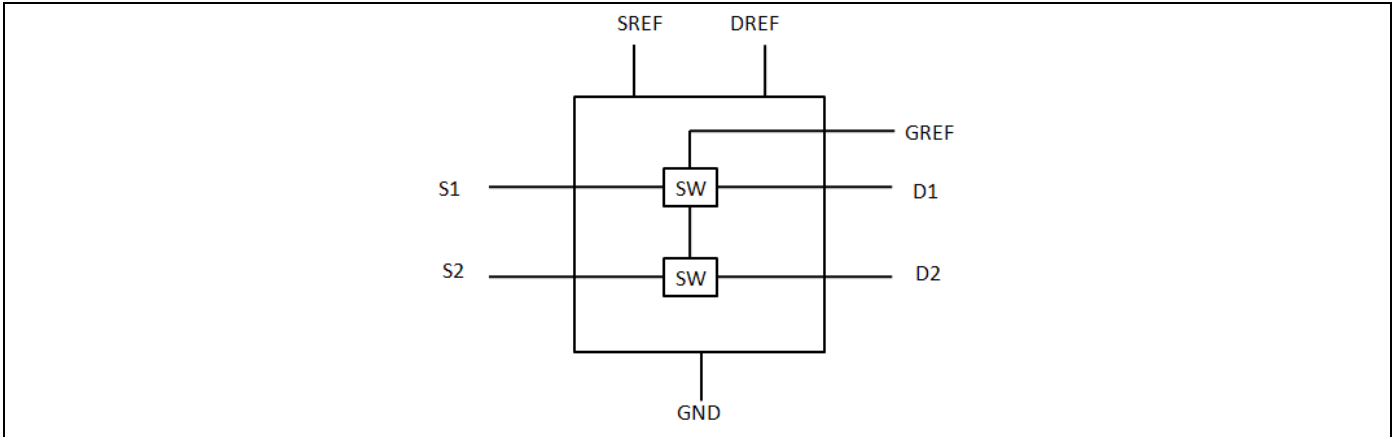
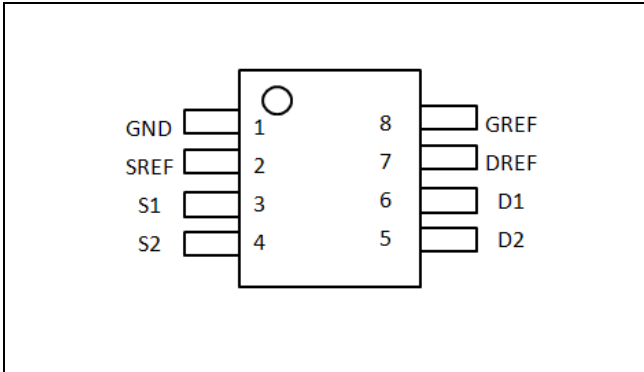


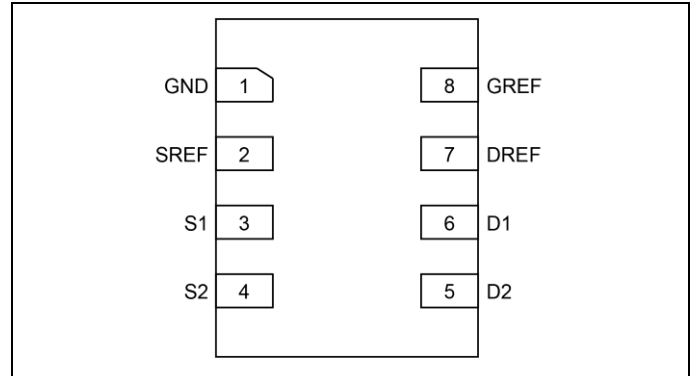
Figure 1. Block Diagram

Pin Configuration

Top View



MSOP/VSSOP/SSOP/SOT28



X2-DNF

Pin Description

Pin#	Pin Name	Description
1	GND	ground (0 V)
2	SREF	low-voltage side reference supply voltage for S1 and S2
3	S1	serial clock, low-voltage side; connect to SREF through a pull-up resistor
4	S2	serial data, low-voltage side; connect to SREF through a pull-up resistor
5	D2	serial data, high-voltage side; connect to DREF through a pull-up resistor
6	D1	serial clock, high-voltage side; connect to DREF through a pull-up resistor
7	DREF	high-voltage side reference supply voltage for D1 and D2
8	GREF	switch enable input; connect to DREF and pull-up through a high resistor

Function Description

Function Selection, HIGH to LOW translation

Assuming Dn is at the higher voltage level.

H = HIGH voltage level; L = LOW voltage level; X = Don't care.

GREF	DREF	SREF	Input Dn	Output Sn	Transistor
H	H	0V	X	X	off
H	H	VTT	H	VTT	on
H	H	VTT	L	L	on
L	L	0V-VTT	X	X	off

1. GREF should be at least 1.5V higher than SREF for best translator operation.
2. Sn is not pulled up or pulled down.
3. Sn follows the Dn input LOW.
4. VTT is equal to the SREF voltage.

Function Selection, LOW to HIGH translation

Assuming Dn is at the higher voltage level.

H = HIGH voltage level; L = LOW voltage level; X = Don't care.

GREF	DREF	SREF	Input Sn	Output Dn	Transistor
H	H	0V	X	X	off
H	H	VTT	VTT	H	nearly off
H	H	VTT	L	L	on
L	L	0V-VTT	X	X	off

1. GREF should be at least 1.5V higher than SREF for best translator operation.
2. Sn is not pulled up or pulled down.
3. Sn follows the Dn input LOW.
4. VTT is equal to the SREF voltage.

Maximum Ratings

Storage Temperature.....	-65°C to +150°C
Reference Voltage ⁽²⁾	-0.5V to +6.0V
Reference Bias Voltage.....	-0.5V to +6.0V
DC Input Voltage.....	-0.5V to +6.0V
Control Input Voltage (EN).....	-0.5V to +6.0V
Channel Current (DC).....	128mA
Input Clamping Current.....	-50mA
ESD: HBM Mode.....	4000V

Note:

- Stresses greater than those listed under MAXIMUM RATINGS may cause permanent damage to the device. This is a stress rating only and functional operation of the device at these or any other conditions above those indicated in the operational sections of this specification is not implied. Exposure to absolute maximum rating conditions for extended periods may affect reliability.
- The input and input/output negative voltage ratings may be exceeded if the input and input/output clamp current ratings are observed.

Recommended Operation Conditions

V_{CC} = 2.7V to 5.5V; GND = 0V; T_A = -40°C to +85°C; unless otherwise specified

Symbol	Parameter	Test Conditions	Min.	Typ.	Max.	Unit
V _{I/O}	Voltage on an input/output pin	S1, D1, S2, D2	0	-	5	V
SREF	Reference voltage ⁽¹⁾	SREF	0	-	5	V
DREF	Reference bias voltage ⁽²⁾	DREF	0	-	5	V
V _{GREF}	Input voltage on pin GREF	-	0	-	5	V
I _(pass)	Pass switch current	-	-	-	64	mA
T _A	Ambient temperature	-	-40	-	85	°C

DC Electrical Characteristics

T_A = -40°C to +85°C; unless otherwise specified

Parameter	Description	Test Conditions ⁽¹⁾	Min	Typ. ⁽²⁾	Max	Unit	
Input and output DB and SB							
V _{IK}	Input clamping voltage	I _I = -18mA; V _{GREF} = 0V	-	-	-1.2	V	
I _{IH}	HIGH-level input current	V _I = 5V; V _{GREF} = 0V	-	-	5	μA	
C _{GREF}	Input capacitance on pin GREF	V _I = 3V or 0V	-	11	-	pF	
C _{io(off)}	off-state input/output capacitance (S _n , D _n)	V _O = 3V or 0V; V _{GREF} = 0V	-	4	-	pF	
C _{io(on)}	on-state input/output capacitance (S _n , D _n)	V _O = 3V or 0V; V _{GREF} = 3V	-	10.5	-	pF	
Ron	ON-state resistance ⁽²⁾ (S _n , D _n)	V _I = 0V; I _O = 64mA	V _{GREF} = 4.5V	-	3.5	5.5	Ω
			V _{GREF} = 3V	-	4.7	7.0	Ω
			V _{GREF} = 2.3V	-	6.3	9.5	Ω
			V _{GREF} = 1.5V	-	60	140	Ω
		V _I = 2.4V; I _O = 15mA	V _{GREF} = 4.5V	1	6	15	Ω
			V _{GREF} = 3V	20	60	140	Ω
V _I = 1.7V; I _O = 15mA	V _{GREF} = 2.3V	20	60	140	Ω		

Notes:

- All typical values are at T_A = 25 °C.
- Measured by the voltage drop between the S1 and S2, or D1 and D2 terminals at the indicated current through the switch. ON-state resistance is determined by the lowest voltage of the two terminals.

Dynamic Characteristics

T_A = -40°C to +85°C; unless otherwise specified. Values guaranteed by design.

Symbol	Parameter	Conditions	C _L = 50pF		C _L = 30pF		C _L = 15pF		Unit
			Min	Max	Min	Max	Min	Max	
V _{GREF} = 3.3V; V _H = 3.3V; V _L = 0V; V _M = 1.15V									
t _{PLH}	LOW-to-HIGH propagation delay	from (input) S2 or D2 to (output) S1 or D1	0	0.8	0	0.6	0	0.3	ns
t _{PHL}	HIGH-to-LOW propagation delay	from (input) S2 or D2 to (output) S1 or D1	0	1.2	0	1	0	0.5	ns
V _{GREF} = 2.5V; V _H = 2.5V; V _L = 0V; V _M = 0.75V									
t _{PLH}	LOW-to-HIGH propagation delay	from (input) S2 or D2 to (output) S1 or D1	0	1	0	0.7	0	0.4	ns
t _{PHL}	HIGH-to-LOW propagation delay	from (input) S2 or D2 to (output) S1 or D1	0	1.3	0	1	0	0.6	ns
V _{GREF} = 3.3V; V _H = 2.3V; V _L = 0V; V _T = 3.3V; V _M = 1.15V; R _L = 300Ω									
t _{PLH}	LOW-to-HIGH propagation delay	from (input) S1 or D1 to (output) S2 or D2	0	0.9	0	0.6	0	0.4	ns
t _{PHL}	HIGH-to-LOW propagation delay	from (input) S1 or D1 to (output) S2 or D2	0	1.4	0	1.1	0	0.7	ns
V _{GREF} = 2.5V; V _H = 1.5V; V _L = 0V; V _T = 2.5V; V _M = 0.75V; R _L = 300Ω									
t _{PLH}	LOW-to-HIGH propagation delay	from (input) S1 or D1 to (output) S2 or D2	0	1	0	0.6	0	0.4	ns
t _{PHL}	HIGH-to-LOW propagation delay	from (input) S1 or D1 to (output) S2 or D2	0	1.3	0	1.3	0	0.8	ns

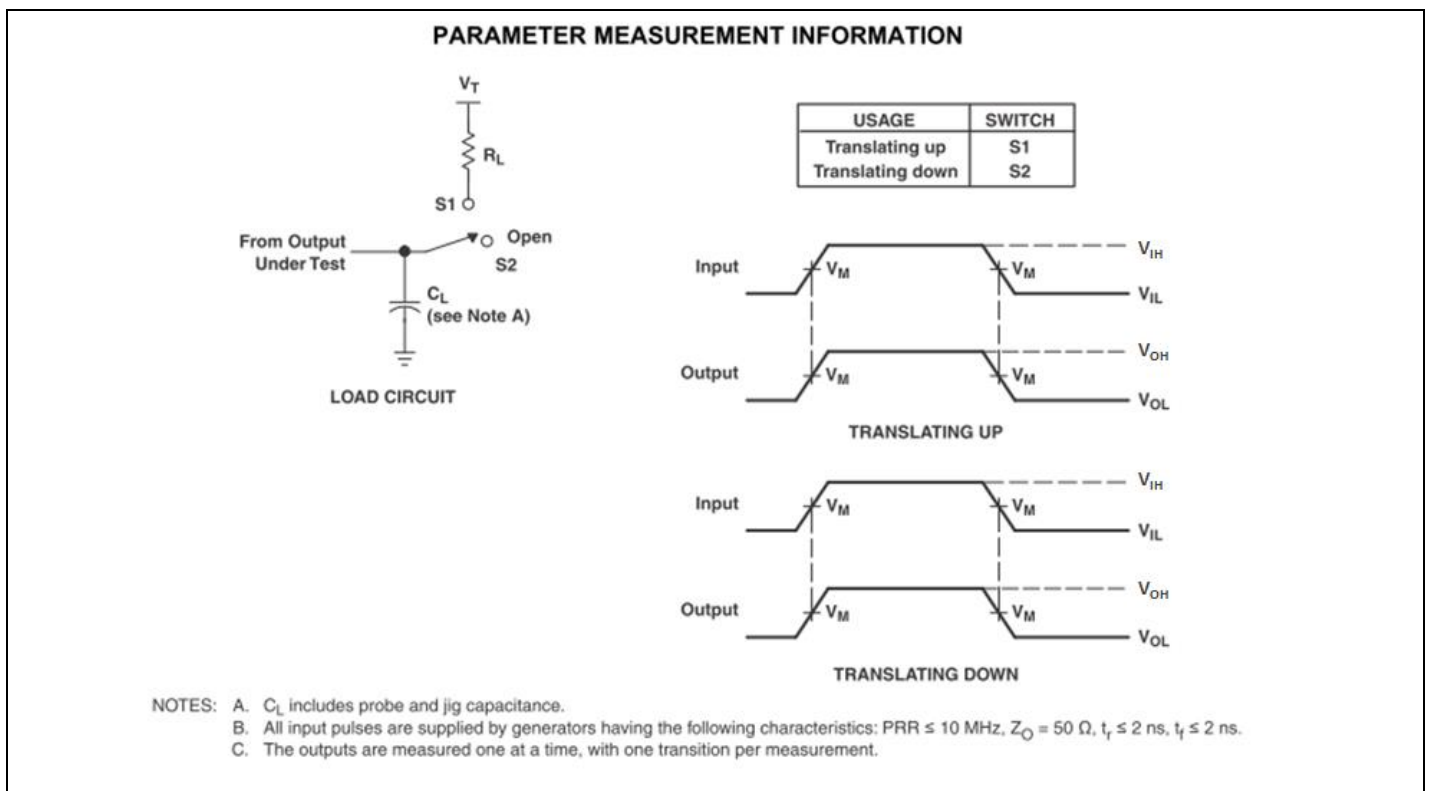


Figure 2. Load Circuit for Outputs

Application Information

For the bidirectional clamping configuration, higher voltage to lower voltage or lower voltage to higher voltage, the GREF input must be connected to DREF and both pins pulled to HIGH side VCC through a pull-up resistor (typically 200kΩ). A filter capacitor on DREF is recommended. The processor output can be totem pole or open-drain (pull-up resistors may be required) and the chip set output can be totem pole or open-drain (pull-up resistors are required to pull the Dn outputs to VCC). However, if either output is totem pole, data must be unidirectional or the outputs must be 3-stateable and the outputs must be controlled by some direction control mechanism to prevent HIGH-to-LOW contentions in either direction. If both outputs are open-drain, no direction control is needed. The opposite side of the reference transistor (SREF) is connected to the processor core power supply voltage. When DREF is connected through a 200kΩ resistor to a 3.3V to 5.5V VCC supply and SREF is set between 0.8V to (VCC - 1.5V), the output of each Sn has a maximum output voltage equal to SREF and the output of each Dn has a maximum output voltage equal to VCC.

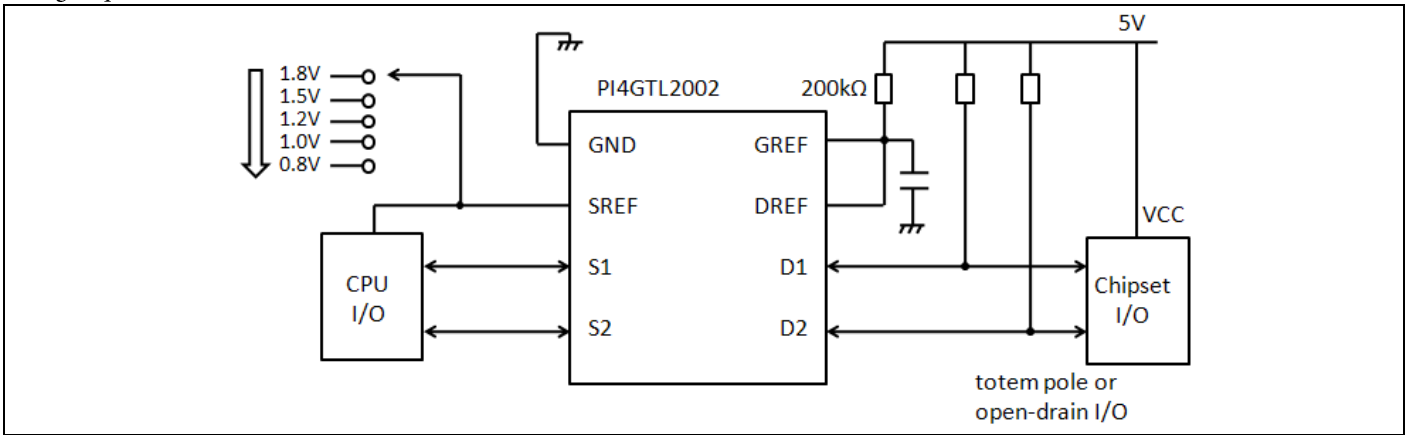


Figure 3. Bidirectional Translation to Multiple Higher Voltage Levels Such as An I2c-Bus Application

For unidirectional clamping, higher voltage to lower voltage, the GREF input must be connected to DREF and both pins pulled to the higher side VCC through a pull-up resistor (typically 200kΩ). A filter capacitor on DREF is recommended. Pull-up resistors are required if the chip set I/O are open-drain. The opposite side of the reference transistor (SREF) is connected to the processor core supply voltage. When DREF is connected through a 200kΩ resistor to a 3.3V to 5.5V VCC supply and SREF is set between 0.8V to (VCC-1.5V), the output of each Sn has a maximum output voltage equal to SREF.

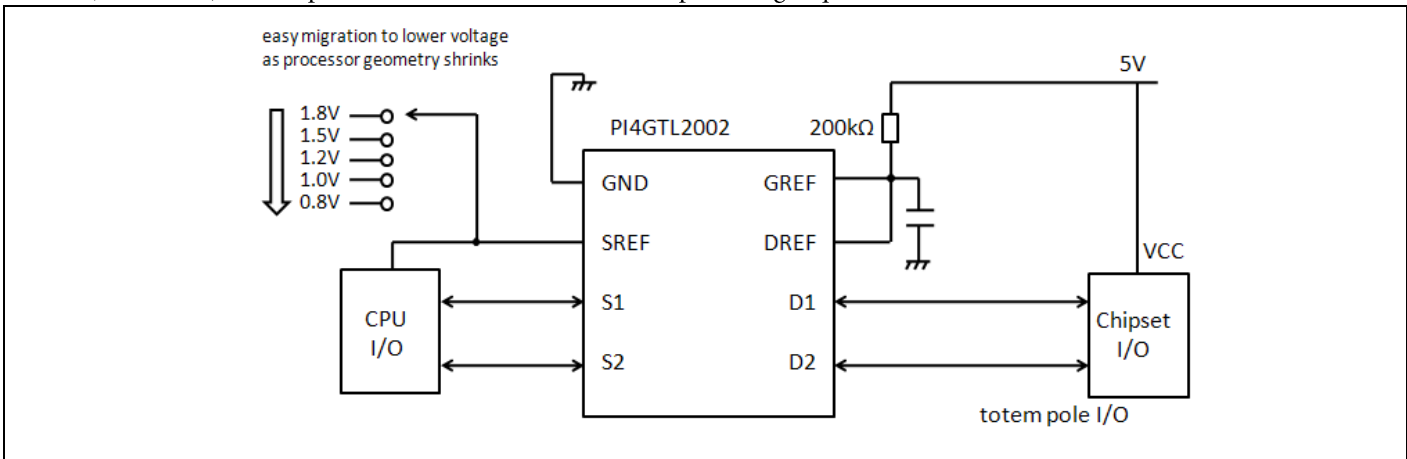


Figure 4. Unidirectional Down Translation to Protect Low Voltage Processor Pins

For unidirectional up translation, lower voltage to higher voltage, the reference transistor is connected the same as for a down translation. A pull-up resistor is required on the higher voltage side (Dn or Sn) to get the full HIGH level, since the GTL-TVC device will only pass the reference source (SREF) voltage as a HIGH when doing an up translation. The driver on the lower voltage side only needs pull-up resistors if it is open-drain.

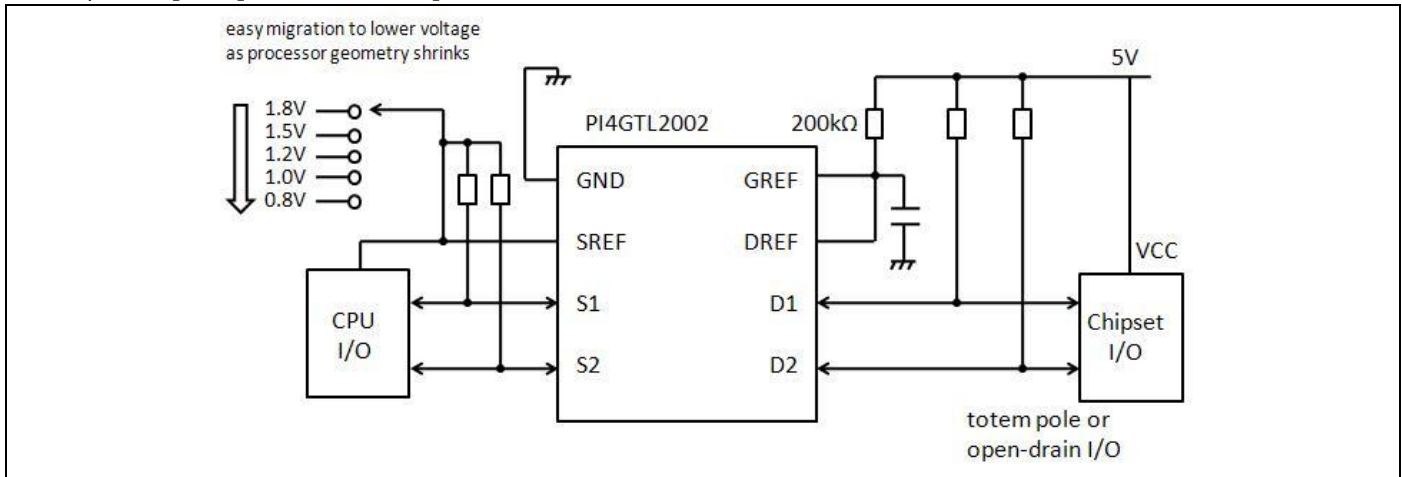


Figure 5. Unidirectional Down Translation to Protect Higher Voltage Processor Pins

Pull-up Resistors and Minimum Values

Sizing the pull-up resistor on an open-drain bus is specific to the individual application and is dependent on the following driver characteristics:

- The driver sink current
- The V_{OL} of driver
- The V_{OL} of the PI4GTL2002
- The V_{IL} of the driver
- Frequency of operation

The pull-up resistor value needs to limit the current through the pass transistor when it is in the ON state to about 15mA. This will guarantee a pass voltage of 260mV to 350mV.

If the current through the pass transistor is higher than 15mA, the pass voltage will also be higher in the ON state. To set the current through each pass transistor at 15mA, the pull-up resistor value is calculated as shown below:

$$\text{Resistor Value} = \frac{\text{Pull-up voltage (V)} - 0.35\text{V}}{0.015\text{A}}$$

The following tables can be used to estimate the pull-up resistor value in different use cases so that the minimum resistance for the pull-up resistor can be found.

Tables in bellow contain suggested minimum values of pull-up resistors for the PI4GTL2002 with typical voltage translation levels and drive currents.

The calculated values assume that both drive currents are the same.

$V_{OL} = V_{IL} = 0.1 * VCC$ and accounts for a 10 % VCC tolerance of the supplies, 1 % resistor values. It should be noted that the resistor chosen in the final application should be equal to or larger than the values shown in the table to ensure that the pass voltage is less than 10 % of the VCC voltage, and the external driver should be able to sink the total current from both pull-up resistors.

Pull-up Resistor Minimum Values, 3 mA Driver /Sink Current for PI4GTL2002

SREF Side	DREF Side				
	1.5V	1.8V	2.5V	3.3V	5.0V
0.8V	R _{PU(S)} = 825Ω R _{PU(D)} = 825Ω	R _{PU(S)} = 936Ω R _{PU(D)} = 936Ω	R _{PU(S)} = none R _{PU(D)} = 899Ω Or both 1.20kΩ	R _{PU(S)} = none R _{PU(D)} = 1.20kΩ Or both 1.49kΩ	R _{PU(S)} = none R _{PU(D)} = 1.83kΩ Or both 2.12kΩ
1.0V	R _{PU(S)} = 892Ω R _{PU(D)} = 892Ω	R _{PU(S)} = 1kΩ R _{PU(D)} = 1kΩ	R _{PU(S)} = none R _{PU(D)} = 892Ω Or both 1.26kΩ	R _{PU(S)} = none R _{PU(D)} = 1.19kΩ Or both 1.56kΩ	R _{PU(S)} = none R _{PU(D)} = 1.82kΩ Or both 2.19kΩ
1.2V		R _{PU(S)} = 1.07kΩ R _{PU(D)} = 1.07kΩ	R _{PU(S)} = none R _{PU(D)} = 886Ω Or both 1.33kΩ	R _{PU(S)} = none R _{PU(D)} = 1.18kΩ Or both 1.63kΩ	R _{PU(S)} = none R _{PU(D)} = 1.81kΩ Or both 2.26kΩ
1.5V			R _{PU(S)} = none R _{PU(D)} = 875Ω Or both 1.43kΩ	R _{PU(S)} = none R _{PU(D)} = 1.17kΩ Or both 1.73kΩ	R _{PU(S)} = none R _{PU(D)} = 1.8kΩ Or both 2.36kΩ
1.8V			R _{PU(S)} = 1.53kΩ R _{PU(D)} = 1.53kΩ	R _{PU(S)} = none R _{PU(D)} = 1.16kΩ Or both 1.82kΩ	R _{PU(S)} = none R _{PU(D)} = 1.79kΩ Or both 2.46kΩ
2.5V				R _{PU(S)} = 2.06kΩ R _{PU(D)} = 2.06kΩ	R _{PU(S)} = none R _{PU(D)} = 1.77kΩ Or both 2.69kΩ
3.3V					R _{PU(S)} = none R _{PU(D)} = 1.74kΩ Or both 2.96kΩ

Pull-up Resistor Minimum Values, 10 mA Driver/ Sink Current for PI4GTL2002

SREF Side	DREF Side				
	1.5V	1.8V	2.5V	3.3V	5.0V
0.8V	R _{PU(S)} = 247Ω R _{PU(D)} = 247Ω	R _{PU(S)} = 281Ω R _{PU(D)} = 281Ω	R _{PU(S)} = none R _{PU(D)} = 270Ω Or both 359Ω	R _{PU(S)} = none R _{PU(D)} = 359Ω Or both 447Ω	R _{PU(S)} = none R _{PU(D)} = 547Ω Or both 636Ω
1.0V	R _{PU(S)} = 268Ω R _{PU(D)} = 268Ω	R _{PU(S)} = 300Ω R _{PU(D)} = 300Ω	R _{PU(S)} = none R _{PU(D)} = 268Ω Or both 379Ω	R _{PU(S)} = none R _{PU(D)} = 357Ω Or both 468Ω	R _{PU(S)} = none R _{PU(D)} = 545Ω Or both 657Ω
1.2V		R _{PU(S)} = 321Ω R _{PU(D)} = 321Ω	R _{PU(S)} = none R _{PU(D)} = 266Ω Or both 399Ω	R _{PU(S)} = none R _{PU(D)} = 355Ω Or both 488Ω	R _{PU(S)} = none R _{PU(D)} = 543Ω Or both 677Ω
1.5V			R _{PU(S)} = none R _{PU(D)} = 263Ω Or both 429Ω	R _{PU(S)} = none R _{PU(D)} = 352Ω Or both 518Ω	R _{PU(S)} = none R _{PU(D)} = 540Ω Or both 707Ω
1.8V			R _{PU(S)} = 460Ω R _{PU(D)} = 460Ω	R _{PU(S)} = none R _{PU(D)} = 348Ω Or both 548Ω	R _{PU(S)} = none R _{PU(D)} = 537Ω Or both 737Ω
2.5V				R _{PU(S)} = 619Ω R _{PU(D)} = 619Ω	R _{PU(S)} = none R _{PU(D)} = 521Ω Or both 808Ω
3.3V					R _{PU(S)} = none R _{PU(D)} = 522Ω Or both 889Ω

Pull-up Resistor Minimum Values, 15 mA Driver/ Sink Current for PI4GTL2002

SREF Side	DREF Side				
	1.5V	1.8V	2.5V	3.3V	5.0V
0.8V	R _{PU(S)} = 165Ω R _{PU(D)} = 165Ω	R _{PU(S)} = 187Ω R _{PU(D)} = 187Ω	R _{PU(S)} = none R _{PU(D)} = 180Ω Or both 239Ω	R _{PU(S)} = none R _{PU(D)} = 239Ω Or both 298Ω	R _{PU(S)} = none R _{PU(D)} = 365Ω Or both 424Ω
1.0V	R _{PU(S)} = 178Ω R _{PU(D)} = 178Ω	R _{PU(S)} = 200Ω R _{PU(D)} = 200Ω	R _{PU(S)} = none R _{PU(D)} = 178Ω Or both 253Ω	R _{PU(S)} = none R _{PU(D)} = 237Ω Or both 312Ω	R _{PU(S)} = none R _{PU(D)} = 364Ω Or both 438Ω
1.2V		R _{PU(S)} = 214Ω R _{PU(D)} = 214Ω	R _{PU(S)} = none R _{PU(D)} = 177Ω Or both 266Ω	R _{PU(S)} = none R _{PU(D)} = 236Ω Or both 325Ω	R _{PU(S)} = none R _{PU(D)} = 362Ω Or both 451Ω
1.5V			R _{PU(S)} = none R _{PU(D)} = 175Ω Or both 286Ω	R _{PU(S)} = none R _{PU(D)} = 234Ω Or both 345Ω	R _{PU(S)} = none R _{PU(D)} = 360Ω Or both 471Ω
1.8V			R _{PU(S)} = 306Ω R _{PU(D)} = 306Ω	R _{PU(S)} = none R _{PU(D)} = 232Ω Or both 366Ω	R _{PU(S)} = none R _{PU(D)} = 358Ω Or both 492Ω
2.5V				R _{PU(S)} = 413Ω R _{PU(D)} = 413Ω	R _{PU(S)} = none R _{PU(D)} = 354Ω Or both 539Ω
3.3V					R _{PU(S)} = none R _{PU(D)} = 348Ω Or both 593Ω

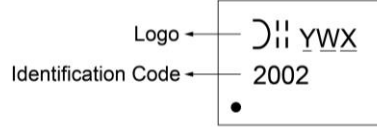
Part Marking

U Package (NRND)



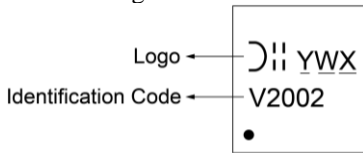
Z: Die Rev
Y: Date Code (Year)
W: Date Code (Workweek)
1st X: Assembly Site Code
2nd X: Wafer Fab Site Code
Bar above fab code means Cu wire

M8-13 Package



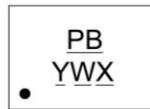
Y: Year: 0~9
W: Week: A-Z: 1~26 week;
a~z: 27~52 week; z represents
52 and 53 week
X: Internal Code

V8-7 Package



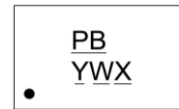
Y: Year: 0~9
W: Week: A-Z: 1~26 week;
a~z: 27~52 week; z represents
52 and 53 week
X: Internal Code

HK3-7 Package



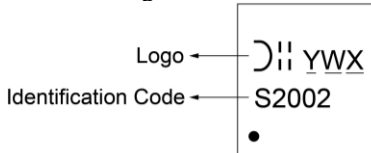
PB: Identification Code
Y: Year: 0~9
W: Week: A-Z: 1~26 week;
a~z: 27~52 week;
z represents 52 and 53 week
X: Internal Code

TA8-7 Package



PB: Identification Code
Y: Year: 0~9
W: Week: A-Z: 1~26 week;
a~z: 27~52 week;
z represents 52 and 53 week
X: Internal Code

SS8-7 Package



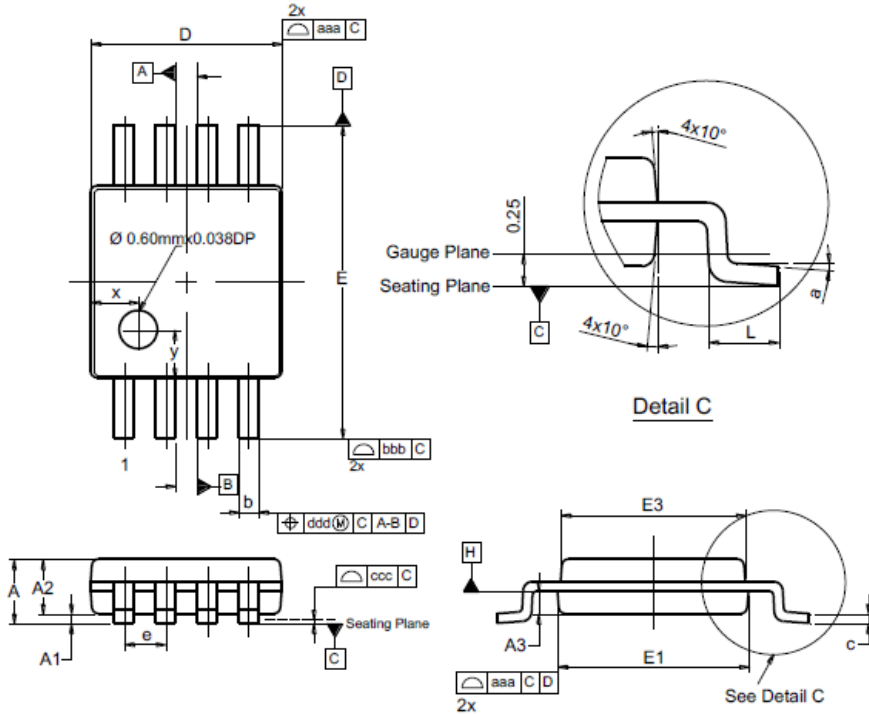
Y: Year: 0~9
W: Week: A-Z: 1~26 week;
a~z: 27~52 week; z represents
52 and 53 week
X: Internal Code

Packaging Mechanical

8-MSOP (M)

Package Outline Dimensions

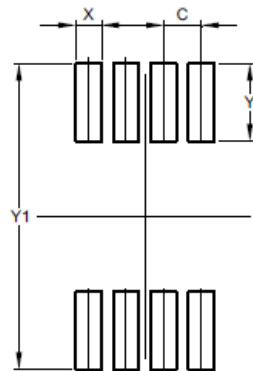
MSOP-8



MSOP-8			
Dim	Min	Max	Typ
A	--	1.10	--
A1	0.05	0.15	0.10
A2	0.75	0.95	0.86
A3	0.29	0.49	0.39
b	0.22	0.38	0.30
c	0.08	0.23	0.15
D	2.90	3.10	3.00
E	4.70	5.10	4.90
E1	2.90	3.10	3.00
E3	2.85	3.05	2.95
e	--	--	0.65
L	0.40	0.80	0.60
a	0°	8°	4°
x	--	--	0.750
y	--	--	0.750
aaa	0.20		
bbb	0.25		
ccc	0.10		
ddd	0.13		
All Dimensions in mm			

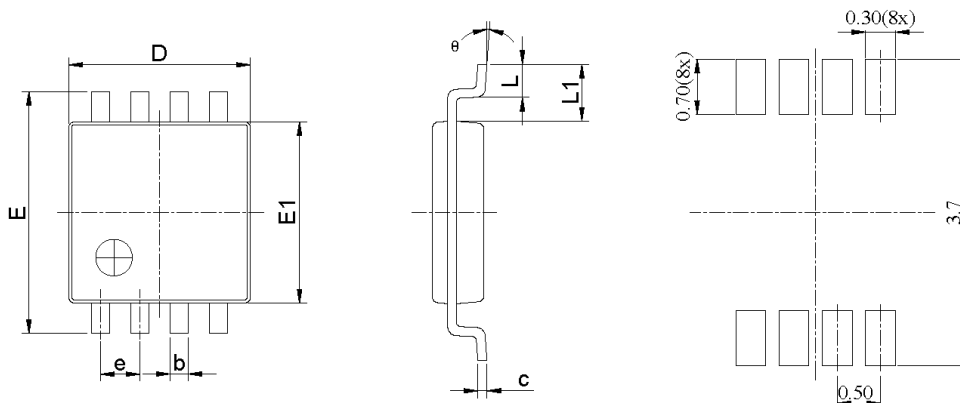
Suggested Pad Layout

MSOP-8



Dimensions	Value (in mm)
C	0.650
X	0.450
Y	1.350
Y1	5.300

8-VSSOP (V)

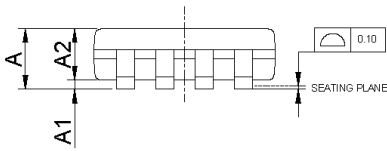


PKG DIMENSIONS(MM)			
SYMBOL	Min.	Nom.	Max.
A	0.60	-	0.90
A1	--	--	0.10
A2	0.60	-	0.80
b	0.17	0.21	0.25
c	0.08	-	0.13
D	1.90	2.00	2.10
E	3.20	3.40	3.60
E1	2.20	2.30	2.40
e	0.50 BSC		
L	0.30	0.35	0.40
L1	0.55 REF		
θ	0°	3°	6°

Top View

Side View

RECOMMENDED LAND PATTERN(unit:mm)



Side View

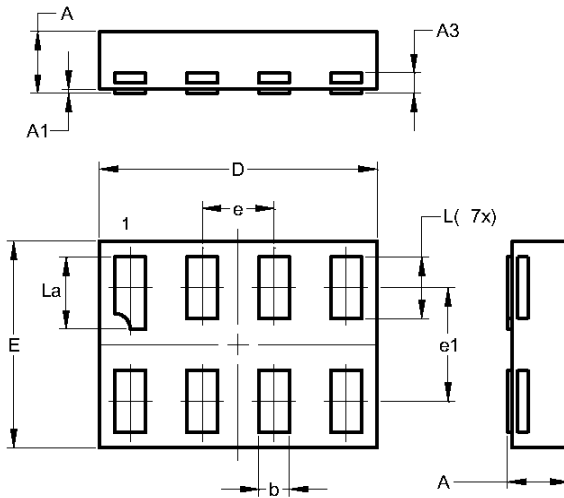
NOTE:

1. ALL DIMENSIONS ARE IN MILLIMETERS. ANGLES IN DEGREES.
2. REFER JEDEC MO-187F/CA
3. PACKAGE OUTLINE DIMENSIONS DO NOT INCLUDE MOLD FLASH AND METAL BURR.
4. LAND PATTERN REFERENCE DIODES MSOP-8 PACKAGE INFORMATION.

8-X2-DFN (HK)

Package Outline Dimensions

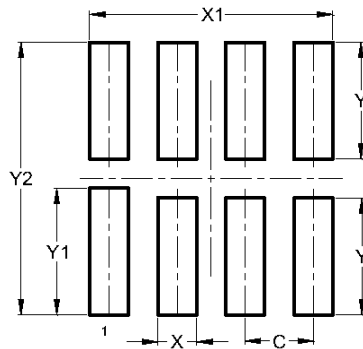
X2-DFN1410-8



X2-DFN1410-8			
Dim	Min	Max	Typ
A	0.30	0.35	0.33
A1	0.00	0.03	0.02
A3	--	--	0.10
b	0.12	0.20	0.15
D	1.30	1.40	1.35
E	0.95	1.05	1.00
e	--	--	0.35
e1	--	--	0.55
L	0.27	0.35	0.30
L1	0.32	0.40	0.35
All Dimensions in mm			

Suggested Pad Layout

X2-DFN1410-8

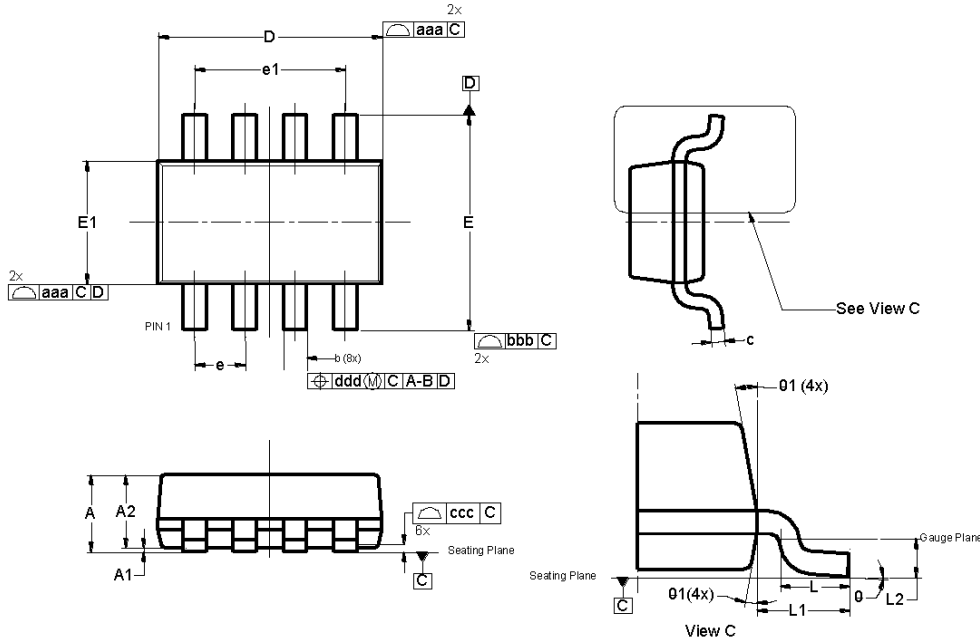


Dimensions	Value (in mm)
C	0.350
X	0.200
X1	1.250
Y	0.600
Y1	0.650
Y2	1.400

8-SOT28 (TA)

Package Outline Dimensions

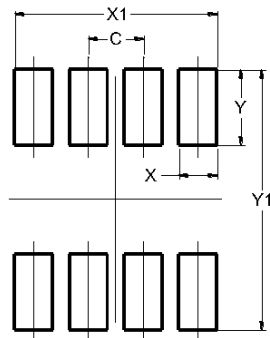
SOT28



SOT28			
Dim	Min	Max	Typ
A	0.90	1.10	1.00
A1	0.00	0.10	--
A2	--	--	0.95
b	0.20	0.40	0.30
c	0.08	0.20	--
D	2.85	2.95	2.90
E	2.65	2.95	2.80
E1	1.55	1.65	1.60
e	0.65 BSC		
e1	1.95 BSC		
L	0.30	0.60	0.45
L1	0.60 REF		
L2	0.25 BSC		
θ	0°	8°	--
θ1	9°	11°	10°
aaa	0.15		
bbb	0.25		
ccc	0.10		
ddd	0.20		
All Dimensions in mm			

Suggested Pad Layout

SOT28



Dimensions	Value (in mm)
C	0.950
G	1.600
X	0.700
Y	0.900
Y1	3.400

8-SSOP (SS)

PKG DIMENSIONS(MM)			
SYMBOL	Min.	Nom.	Max.
A	--	--	1.30
A1	0.05	--	0.15
A2	0.95	1.05	1.20
b	0.15	0.23	0.30
C	0.08	--	0.23
D	2.75	2.95	3.15
E	3.75	4.00	4.25
E1	2.70	2.80	2.90
e	0.65 BSC		
L	0.20	0.40	0.60
L1	0.60 REF		
θ	0°	4°	8°

NOTE:
 1. ALL DIMENSIONS ARE IN MILLIMETERS. ANGLES IN DEGREES.
 2. REFER JEDEC MO-187F/DA
 3. PACKAGE OUTLINE DIMENSIONS DO NOT INCLUDE MOLD FLASH AND METAL BURR.
 4. LAND PATTERN REFERENCE DIODES MSOP-8 PACKAGE INFORMATION.

DIODES	PERICOM	DATE: 03/02/21
DESCRIPTION: 8-Pin, SSOP-8L		
PACKAGE CODE: SS (SS8)		
DOCUMENT CONTROL #: PD-2266		REVISION: A

21-1374

For latest package info.

please check: <http://www.diodes.com/design/support/packaging/pericom-packaging/packaging-mechanicals-and-thermal-characteristics/>

Ordering Information

Part Numbers	Package Code	Package Description
PI4GTL2002UEX	U	8-Pin, Mini Small Outline Package (MSOP) (Not Recommended for New Design)
PI4GTL2002M8-13	M	8-Pin, Mini Small Outline Package (MSOP)
PI4GTL2002V8-7	V	8-Pin (VSSOP)
PI4GTL2002HK3-7	HK	8-Pin (X2-DFN1410)
PI4GTL2002TA8-7	TA	8-Pin (SOT28)
PI4GTL2002SS8-7	SS	8-Pin (SSOP)

- Notes:**
- No purposely added lead. Fully EU Directive 2002/95/EC (RoHS), 2011/65/EU (RoHS 2) & 2015/863/EU (RoHS 3) compliant.
 - See <https://www.diodes.com/quality/lead-free/> for more information about Diodes Incorporated's definitions of Halogen- and Antimony-free, "Green" and Lead-free.
 - Halogen- and Antimony-free "Green" products are defined as those which contain <900ppm bromine, <900ppm chlorine (<1500ppm total Br + Cl) and <1000ppm antimony compounds.
 - E = Pb-free and Green
 - 7 = Tape/Reel size (7"), X suffix = Tape/Reel

IMPORTANT NOTICE

1. DIODES INCORPORATED (Diodes) AND ITS SUBSIDIARIES MAKE NO WARRANTY OF ANY KIND, EXPRESS OR IMPLIED, WITH REGARDS TO ANY INFORMATION CONTAINED IN THIS DOCUMENT, INCLUDING, BUT NOT LIMITED TO, THE IMPLIED WARRANTIES OF MERCHANTABILITY, FITNESS FOR A PARTICULAR PURPOSE OR NON-INFRINGEMENT OF THIRD PARTY INTELLECTUAL PROPERTY RIGHTS (AND THEIR EQUIVALENTS UNDER THE LAWS OF ANY JURISDICTION).
2. The Information contained herein is for informational purpose only and is provided only to illustrate the operation of Diodes' products described herein and application examples. Diodes does not assume any liability arising out of the application or use of this document or any product described herein. This document is intended for skilled and technically trained engineering customers and users who design with Diodes' products. Diodes' products may be used to facilitate safety-related applications; however, in all instances customers and users are responsible for (a) selecting the appropriate Diodes products for their applications, (b) evaluating the suitability of Diodes' products for their intended applications, (c) ensuring their applications, which incorporate Diodes' products, comply the applicable legal and regulatory requirements as well as safety and functional-safety related standards, and (d) ensuring they design with appropriate safeguards (including testing, validation, quality control techniques, redundancy, malfunction prevention, and appropriate treatment for aging degradation) to minimize the risks associated with their applications.
3. Diodes assumes no liability for any application-related information, support, assistance or feedback that may be provided by Diodes from time to time. Any customer or user of this document or products described herein will assume all risks and liabilities associated with such use, and will hold Diodes and all companies whose products are represented herein or on Diodes' websites, harmless against all damages and liabilities.
4. Products described herein may be covered by one or more United States, international or foreign patents and pending patent applications. Product names and markings noted herein may also be covered by one or more United States, international or foreign trademarks and trademark applications. Diodes does not convey any license under any of its intellectual property rights or the rights of any third parties (including third parties whose products and services may be described in this document or on Diodes' website) under this document.
5. Diodes' products are provided subject to Diodes' Standard Terms and Conditions of Sale (<https://www.diodes.com/about/company/terms-and-conditions/terms-and-conditions-of-sales/>) or other applicable terms. This document does not alter or expand the applicable warranties provided by Diodes. Diodes does not warrant or accept any liability whatsoever in respect of any products purchased through unauthorized sales channel.
6. Diodes' products and technology may not be used for or incorporated into any products or systems whose manufacture, use or sale is prohibited under any applicable laws and regulations. Should customers or users use Diodes' products in contravention of any applicable laws or regulations, or for any unintended or unauthorized application, customers and users will (a) be solely responsible for any damages, losses or penalties arising in connection therewith or as a result thereof, and (b) indemnify and hold Diodes and its representatives and agents harmless against any and all claims, damages, expenses, and attorney fees arising out of, directly or indirectly, any claim relating to any noncompliance with the applicable laws and regulations, as well as any unintended or unauthorized application.
7. While efforts have been made to ensure the information contained in this document is accurate, complete and current, it may contain technical inaccuracies, omissions and typographical errors. Diodes does not warrant that information contained in this document is error-free and Diodes is under no obligation to update or otherwise correct this information. Notwithstanding the foregoing, Diodes reserves the right to make modifications, enhancements, improvements, corrections or other changes without further notice to this document and any product described herein. This document is written in English but may be translated into multiple languages for reference. Only the English version of this document is the final and determinative format released by Diodes.
8. Any unauthorized copying, modification, distribution, transmission, display or other use of this document (or any portion hereof) is prohibited. Diodes assumes no responsibility for any losses incurred by the customers or users or any third parties arising from any such unauthorized use.
9. This Notice may be periodically updated with the most recent version available at <https://www.diodes.com/about/company/terms-and-conditions/important-notice>

The Diodes logo is a registered trademark of Diodes Incorporated in the United States and other countries.
All other trademarks are the property of their respective owners.
© 2024 Diodes Incorporated. All Rights Reserved.

www.diodes.com

Looking for pricing, stock, or lifecycle information?

Click below to explore more details on WIN SOURCE:

- ⊖ [View PI4GTL2002UEX](#) on WIN SOURCE
- ⊖ [Diodes Incorporated](#) Information

Optimize Your Supply Chain with WIN SOURCE Solutions

- ✓ Global Sourcing Solution
- ✓ Obsolete Management
- ✓ Cost Control Management
- ✓ Shortage Management
- ✓ Alternative Solution
- ✓ Excess Inventory Management