



THE DATASHEET OF
144969-1





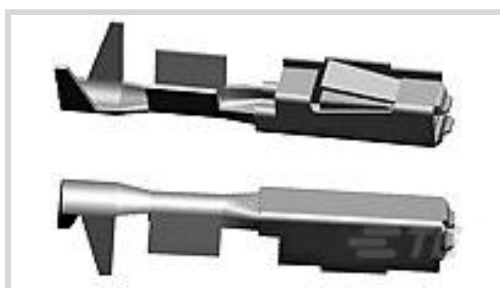
MQS

TE Internal #: 144969-1

Receptacle, Mating Tab Width .63 mm [.025 in], Tab Thickness .63 mm [.025 in], 24 – 19 AWG Wire Size, .2 – .6 mm² Wire Size, Automotive Terminals

[View on TE.com >](#)

Terminals & Splices > Automotive Terminals > MQS, RECEPTACLE AND TAB



Terminal Type: **Receptacle**

Mating Tab Width: **.63 mm [.025 in]**

Mating Tab Thickness: **.63 mm [.025 in]**

Wire Size: **.2 – .6 mm²**

[All MQS, RECEPTACLE AND TAB \(98\)](#)

Features

Product Type Features

Sealable	No
Primary Locking Feature	Locking Lance

Contact Features

Contact Size	.63mm
Contact Fabrication	Stamped & Formed
Crimp Type	F-Crimp
Terminal Type	Receptacle
Mating Tab Width	.63 mm[.025 in]
Mating Tab Thickness	.63 mm[.025 in]
Interface Plating	Tin (Sn)

Termination Features

Termination Method to Wire & Cable	Crimp
Product Terminates To	Wire

Dimensions

Compatible Insulation Diameter Range	1.9 mm[.075 in]
Wire Size	.2 – .6 mm ²
Wire Size Search	19 AWG, 20 AWG, 21 AWG, 22 AWG, 23 AWG, 24 AWG



Usage Conditions

Insulation Option	Uninsulated
Operating Temperature (Max)	80 °C, 85 °C, 90 °C, 100 °C, 105 °C, 110 °C, 120 °C[176 °F][185 °F][194 °F][212 °F][221 °F][230 °F][248 °F]
Operating Temperature Range	-40 – 120 °C[-40 – 248 °F]

Operation/Application

Compatible With Wire Base Material	Copper
------------------------------------	--------

Packaging Features

Packaging Quantity	11000
Packaging Method	Reel

Product Compliance

[For compliance documentation, visit the product page on TE.com>](#)

EU RoHS Directive 2011/65/EU	Compliant
EU ELV Directive 2000/53/EC	Compliant
China RoHS 2 Directive MIIT Order No 32, 2016	No Restricted Materials Above Threshold
EU REACH Regulation (EC) No. 1907/2006	Current ECHA Candidate List: JUNE 2024 (241) Candidate List Declared Against: JUNE 2024 (241) Does not contain REACH SVHC
Halogen Content	Low Halogen - Br, Cl, F, I < 900 ppm per homogenous material. Also BFR/CFR/PVC Free
Solder Process Capability	Not applicable for solder process capability

Product Compliance Disclaimer

This information is provided based on reasonable inquiry of our suppliers and represents our current actual knowledge based on the information they provided. This information is subject to change. The part numbers that TE has identified as EU RoHS compliant have a maximum concentration of 0.1% by weight in homogenous materials for lead, hexavalent chromium, mercury, PBB, PBDE, DBP, BBP, DEHP, DIBP, and 0.01% for cadmium, or qualify for an exemption to these limits as defined in the Annexes of Directive 2011/65/EU (RoHS2). Finished electrical and electronic equipment products will be CE marked as required by Directive 2011/65/EU. Components may not be CE marked. Additionally, the part numbers that TE has identified as EU ELV compliant have a maximum concentration of 0.1% by weight in homogenous materials for lead, hexavalent chromium, and mercury, and 0.01% for cadmium, or qualify for an exemption to these limits as defined in the Annexes of Directive 2000/53/EC (ELV). Regarding the REACH Regulation, the information TE provides on SVHC in articles for this part number is based on the latest European Chemicals Agency (ECHA) 'Guidance on requirements for substances in articles' posted at this URL: <https://echa.europa.eu/guidance-documents/guidance-on-reach>

Compatible Parts



TE Part # CAT-M8793-CH8172
MQS, CONNECTOR HOUSING



TE Part # 6-1579007-1
EXTRACTION TOOL



TE Part # CAT-SIGH262
Signal Header



TE Part # 2209954-2
AIRBAG 24P COVER ASSY



TE Part # 2209954-1
AIRBAG 24P COVER ASSY



TE Part # 1308374-1
EXTRACTION TOOL



TE Part # 2151163-1
OCEAN_2.0_Applicator-S-055F080F-RSM



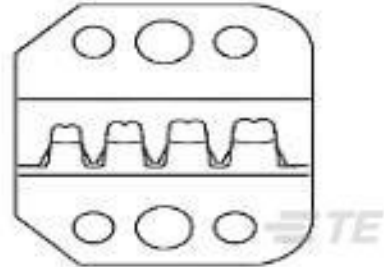
TE Part # 2151163-2
OCEAN_2.0_Applicator-S-055F080F-RSA




TE Part # 2305570-1
Strip Terminal Cutter-Side Feed-No Crimp



TE Part # 58611-1
PRO-CRIMP TOOL MQS REC



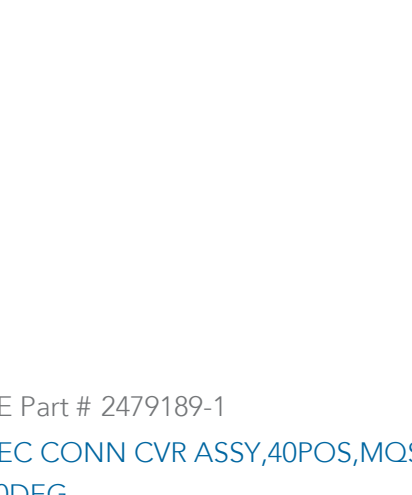
TE Part # 58611-2
PRO-CRIMP DIE MQS REC




TE Part # 7-2151163-7
OCEAN_2.0_SPARE_PART_KIT-055F080F



TE Part # 2390477-2
MATENET CABLE ASSY 3 PIN TO 32 PIN



TE Part # 2479189-1
REC CONN CVR ASSY,40POS,MQS,60DEG

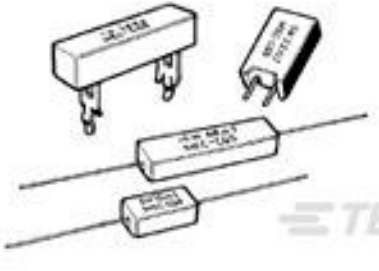


TE Part # 2479189-6
REC CONN CVR ASSY,40POS,MQS,60DEG

Customers Also Bought



TE Part #1-1718346-1
MQS, CONNECTOR HOUSING



TE Part #1879556-1
SQH40 160R 5% 6.35MM FASTON



TE Part #185879-2
26W MQS COVER ASSY BLUE



TE Part #1801176-1
2W RECEPTACLE HPSL CONNECTOR BLACK



Documents

Product Drawings

[MQS0,63 Sn rec LL unseal. 0,2-0,6](#)

English

CAD Files

Customer View Model

[ENG_CVM_CVM_144969-1_J.2d_dxf.zip](#)

English

[3D PDF](#)

3D

Customer View Model

[ENG_CVM_CVM_144969-1_J.3d_igs.zip](#)

English

Customer View Model

[ENG_CVM_CVM_144969-1_J.3d_stp.zip](#)

English

By downloading the CAD file I accept and agree to the [Terms and Conditions](#) of use.

Product Specifications

[Application Specification](#)

English

[Application Specification](#)

German

[Application Specification](#)

English

Looking for pricing, stock, or lifecycle information?

Click below to explore more details on WIN SOURCE:

[View 144969-1 on WIN SOURCE](#)

[TE Connectivity Information](#)

Optimize Your Supply Chain with WIN SOURCE Solutions

- ✓ Global Sourcing Solution
- ✓ Obsolete Management
- ✓ Cost Control Management
- ✓ Shortage Management
- ✓ Alternative Solution
- ✓ Excess Inventory Management