

0.35mm Pitch
Board to Board Connector

5861 Series

シリーズ (Series)	5861
基板間高さ (Stacking Height)	0.6mm
極間隔 (Pitch)	0.35mm
極数 (No. of Positions)	6 to 60 Pos.
定格電流 (Rated Current)	DC 0.5A/Contact (6 to 40 Pos.) DC 0.3A/Contact (42 to 60 Pos.) DC 5.0A/metal tab
定格電圧 (Rated Voltage)	DC 60V/Contact
耐電圧 (D. W. Voltage)	AC 250Vrms/min.
コンタクト材質 (Contact Material)	銅合金 (Copper alloy)
インシュレータ材質 (Insulator Material)	耐熱樹脂 (Heat-resistant plastic)
使用温度範囲 (Operating Temperature)	-55 to +85°C



◆概要

5861 シリーズは、0.35mm ピッチの狭ピッチ基板対基板用コネクタで、嵌合（基板間）高さ 0.6mm、奥行き寸法 1.95mm の省スペース製品です。狭ピッチ・低背製品でありながら、両端を金具で覆うことにより、嵌合時の位置ずれによる破損を防ぐ、高い堅牢性を実現したコネクタです。また、両端の金具は、定格電流 5.0A/金具で高電流通電が可能です。

◆特長

- (1) 上面を金具で覆うことで狭ピッチ、低背化に伴い生じる強度の低下を補強し、嵌合時の位置ずれによる破損を防ぎます。また、金具で覆われた上面のフラットな形状は、滑らかな誘い込みを実現し、嵌合を容易にします。
- (2) 0.35mm ピッチ・嵌合（基板間）高さ 0.6mm・製品幅 1.95mm の省スペース型コネクタ。
- (3) 固定金具を電源コンタクト（定格電流：5.0A）として使用可能です。
- (4) 接点部は、「挟み込み接点形状」（2点接点）を採用し、振動や落下衝撃などに強い構造となっています。また、プラグコンタクトの形状は、集中荷重を上げて異物を排除（ワイピング効果）する機構を施し、高い接触信頼性を実現しています。
- (5) 15,000 個入りのエンボステープ梱包でお届けします。
- (6) 環境に優しい RoHS 指令対応品です。

◆Outline

The 5861 Series are Board to Board Connectors with a fine pitch of 0.35mm. These products feature a low stacking height of 0.6mm and a space-saving design with a width of 1.95mm. With the fine-pitch and low-profile features, the connector achieves high robustness by covering both ends with metals, which prevents the connector from damage caused by misalignments. The metals at both ends of which rated current is 5.0A/metal tab enable to carry a large current.

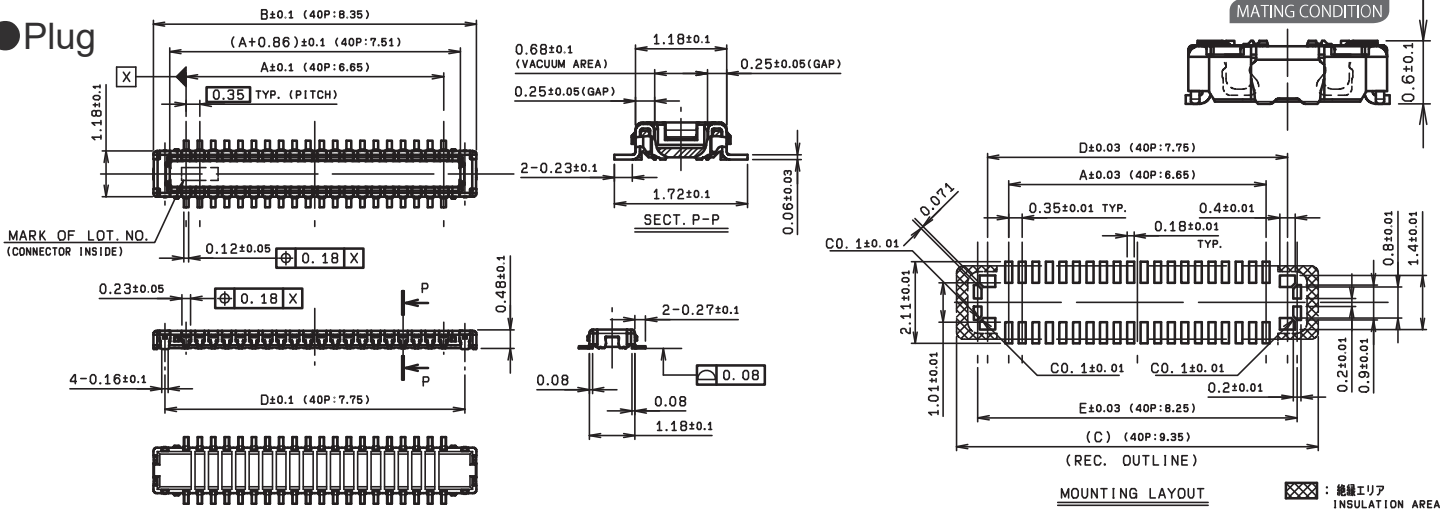
◆Features

- (1) High robustness and structure for smooth mating with top face covered by metals.
- (2) Space-saving connector with a fine pitch of 0.35mm, stacking height of 0.6mm, and width of 1.95mm.
- (3) Anchoring metal tabs are available for power connection with a rated current of 5.0A.
- (4) A pinching structure (two-point contact design), which is highly resistant to vibration and drop shocks, has been adopted for the contact structure. Furthermore, the plug contacts have an original structure featuring a wiping effect which eliminates foreign matter with concentrated load, thus realizing high contact reliability.
- (5) Packaged in tape and reel: 15,000 pieces/reel.
- (6) RoHS compliant product.

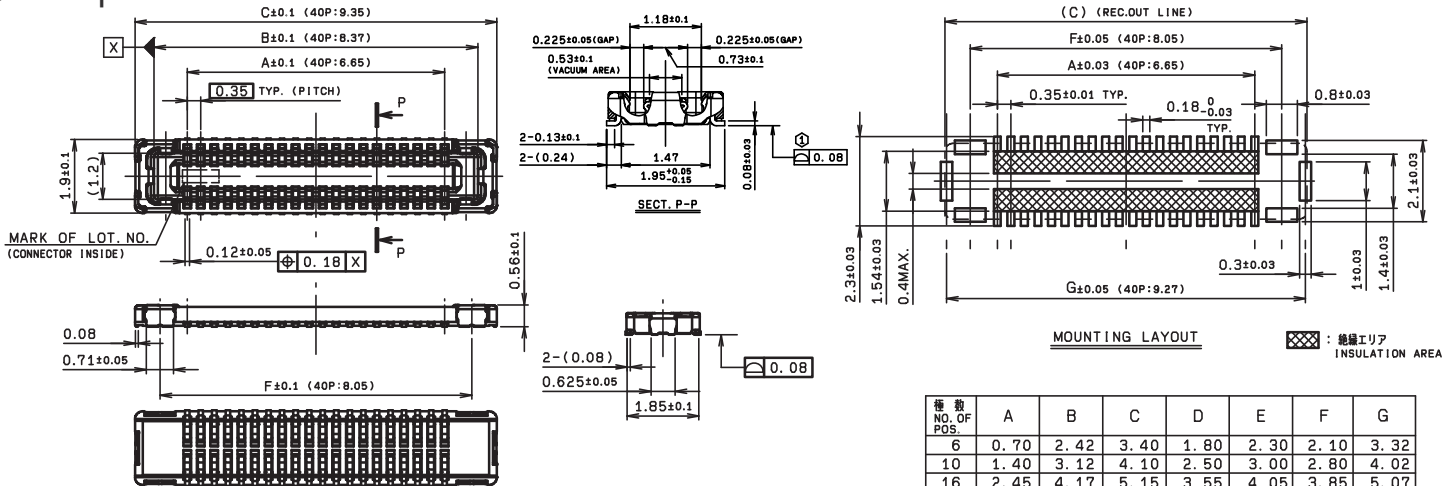
0.35mm Pitch 5861 Series

0.35mmピッチ 嵌合高さ0.6mm 金具付 SMT
0.35mm Pitch, Stacking Height=0.6mm, With Metal tabs, SMT

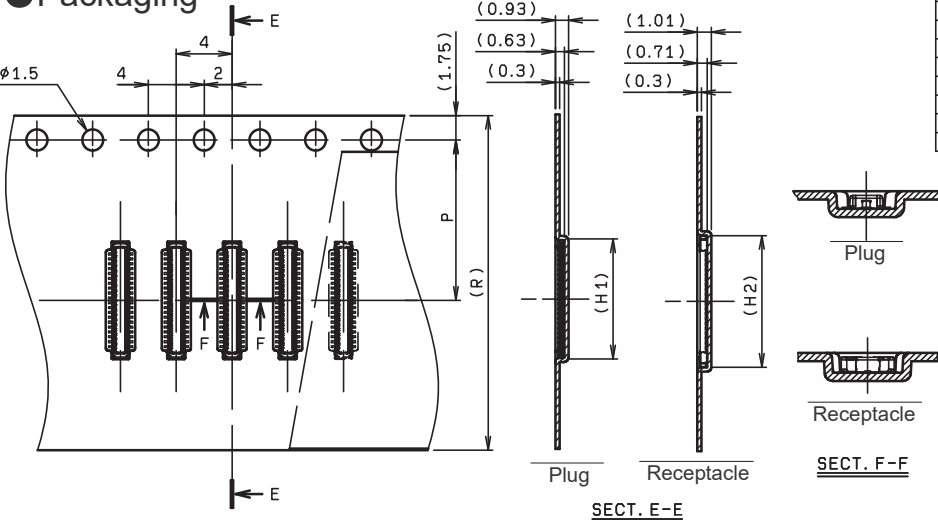
● Plug



● Receptacle



● Packaging



極数 NO. OF POS.	A	B	C	D	E	F	G
6	0.70	2.42	3.40	1.80	2.30	2.10	3.32
10	1.40	3.12	4.10	2.50	3.00	2.80	4.02
16	2.45	4.17	5.15	3.55	4.05	3.85	5.07
24	3.85	5.57	6.55	4.95	5.45	5.25	6.47
30	4.90	6.62	7.60	6.00	6.50	6.30	7.52
34	5.60	7.32	8.30	6.70	7.20	7.00	8.22
40	6.65	8.37	9.35	7.75	8.25	8.05	9.27
42	7.00	8.72	9.70	8.10	8.60	8.40	9.62
44	7.35	9.07	10.05	8.45	8.95	8.75	9.97
48	8.05	9.77	10.75	9.15	9.65	9.45	10.67
50	8.40	10.12	11.10	9.50	10.00	9.80	11.02
54	9.10	10.82	11.80	10.20	10.70	10.50	11.72
60	10.15	11.87	12.85	11.25	11.75	11.55	12.77

極数 NO. OF POS.	P	R	H1	H2
6	5.5	12.0	2.50	3.50
10	5.5	12.0	3.20	4.20
16	7.5	16.0	4.25	5.25
24	7.5	16.0	5.65	6.65
30	7.5	16.0	6.70	7.70
34	7.5	16.0	7.40	8.40
40	11.5	24.0	8.45	9.45
42	11.5	24.0	8.80	9.80
44	11.5	24.0	9.15	10.15
48	11.5	24.0	9.85	10.85
50	11.5	24.0	10.20	11.20
54	11.5	24.0	10.90	11.90
60	11.5	24.0	11.95	12.95

注文コード/Ordering Code

Part No. **X4 5861 0XX 0X4 829+** RoHS対応品
RoHS Compliant Product

1: Plug
2: Receptacle
極数 No. of Pos.

梱包数量: 15,000個/リール
PACKING QUANTITY: 15,000/Reel






本カタログには推奨めっきを掲載しております。めっき種類・仕様、ならびに生産対応可能極数については営業部にご確認願います。
Recommended plating types are mentioned in this catalog. For other plating types and their specifications, and available numbers of positions, please feel free to contact our sales department.

Looking for pricing, stock, or lifecycle information?

Click below to explore more details on WIN SOURCE:

-  [View 145861060024829+ on WIN SOURCE](#)
-  [AVX Corp/Kyocera Corp Information](#)

Optimize Your Supply Chain with WIN SOURCE Solutions

-  Global Sourcing Solution
-  Obsolete Management
-  Cost Control Management
-  Shortage Management
-  Alternative Solution
-  Excess Inventory Management