



THE DATASHEET OF FSM2JRT



REVISIONS

| P | LTR | DESCRIPTION | DATE | DWN | APVD |
|----|-----|-----------------------|-----------|-----|------|
| R1 | | REVISED ECN-24-278943 | 09AUG2024 | GSK | MD |

SPECIFICATIONS:

MATERIALS:
CASE: PBT UL94HB, BLACK.
COVER: STEEL ,TIN PLATE.
ACTUATOR BUTTON: SEE P/N TABLE.
MOVING CONTACT: PHOS BRONZE, SILVER.
FIXED CONTACT/TERMINAL: BRASS, SILVER OVER NICKEL.

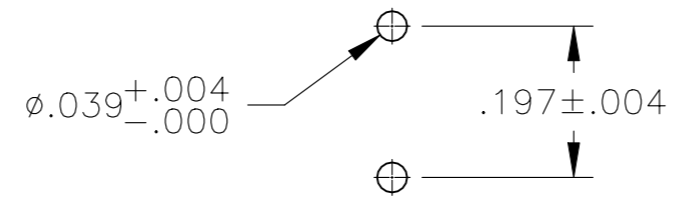
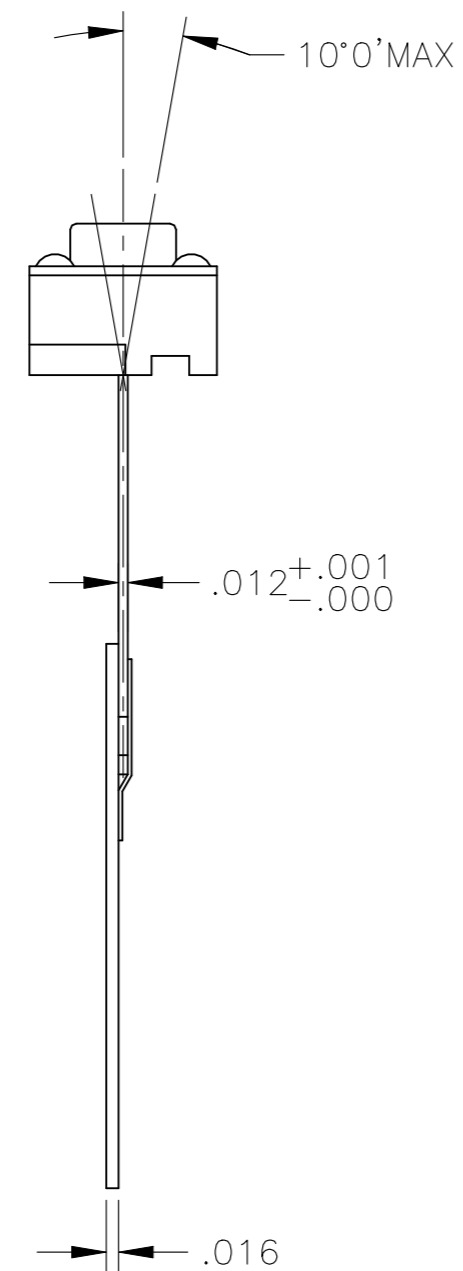
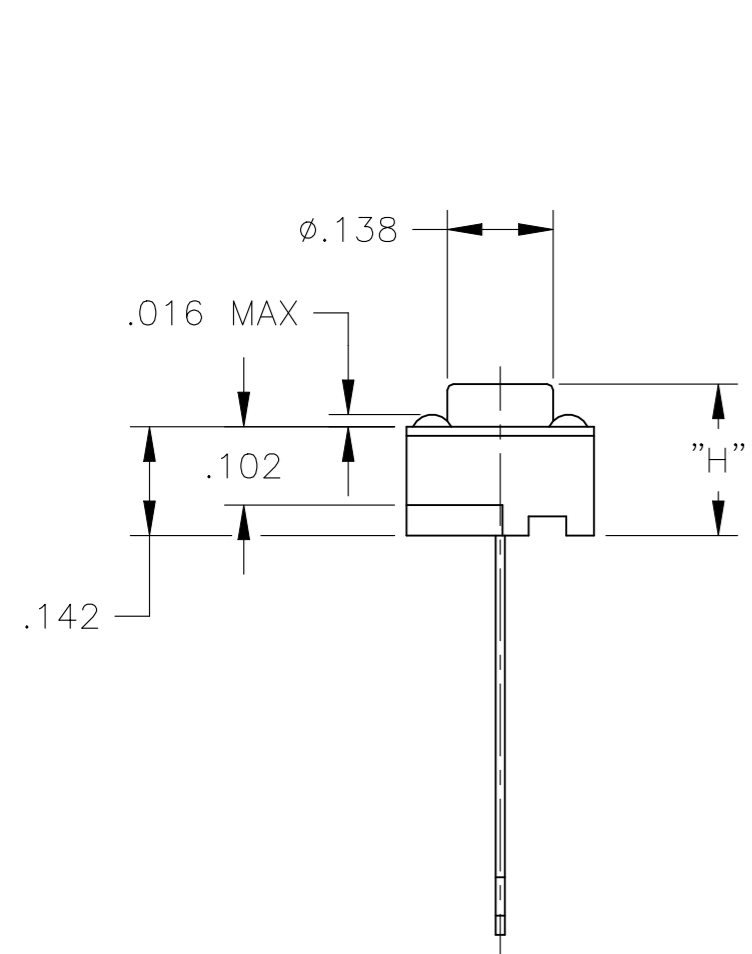
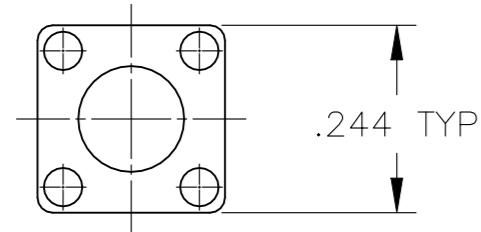
ELECTRICAL:
MAX CONTACT RATING: 50MILLIAMPS@24V DC
MIN CONTACT RATING: 10MICROAMPS@1V DC
CONTACT RESISTANCE: 100 MILLIOHMS MAX.
INSULATION RESISTANCE: 100 MEGOHMS MIN. @ 100 VDC.
DIELECTRIC STRENGTH: 500 VAC 50/60 Hz FOR 1 MINUTE
LIFE EXPECTANCY: 100,000 CYCLES.

MECHANICAL:
ACTUATION FORCE: SEE P/N TABLE.
ACTUATION TRAVEL: .010 IN, (0.25 mm) APPROX.

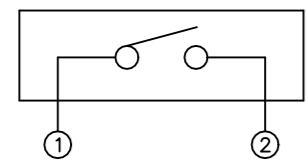
ENVIRONMENTAL:
OPERATING TEMPERATURE: -35°C TO +105°C
STORAGE TEMPERATURE: -35°C TO +85°C

SOLDERABILITY:
SOLDERABILITY EIA-364-52,CLASS 1,CATEGORY 2
SOLDER HEAT RESISTANCE PER 109-202 CONDITION B

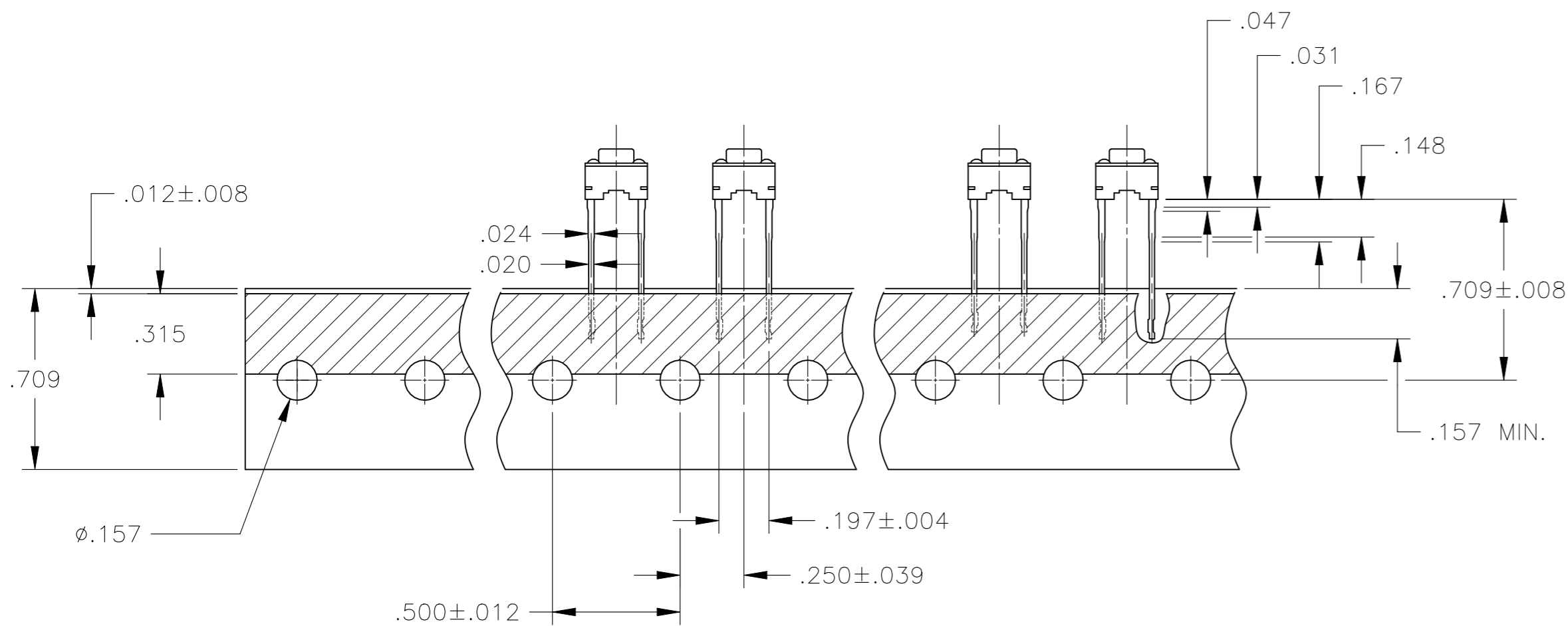
- 1 ALL MATERIALS AND FINISHES SHALL COMPLY WITH EU DIRECTIVE 2002/95/EC OF 27JAN2003 (ROHS)
- 2 RADIAL TAPE PACKAGING PER AUGAT SPEC.#295.
- 3 SPECIFICATIONS SUBJECT TO CHANGE WITHOUT NOTIFICATION.



RECOMMENDED HOLE LAYOUT



CIRCUIT DIAGRAM





| | | | | | | |
|----------|-----------------|-------------------|----------------|-------------|----------|-------------|
| OBSOLETE | 100 +/-50 grams | Nylon 66 | BROWN | .197 (5.0) | FSM4JBRT | 1571010-2 |
| | 160 +/-50 grams | Nylon 66 | BLACK | .512 (13.0) | FSM14JRT | 1571010-1 |
| | 260 +/-50 grams | PBT | RED | .374 (9.5) | FSM8JART | 147871-1 |
| | 160 +/-50 grams | PBT | BLACK | .374 (9.5) | FSM8JRT | 147694-1 |
| OBSOLETE | 260 +/-50 grams | Nylon 66 | RED | .276 (7.0) | FSM6JART | 1571402-1 |
| | 160 +/-50 grams | Nylon 66 | BLUE | .276 (7.0) | FSM6JRT | 4-1437565-8 |
| | 260 +/-50 grams | PBT | RED | .197 (5.0) | FSM4JART | 147997-1 |
| | 160 +/-50 grams | Nylon 66 | BLACK | .197 (5.0) | FSM4JRT | 4-1437565-0 |
| | 160 +/-50 grams | PBT | NATURAL | 0.169 (4.3) | FSM2JRT | 2-1437565-6 |
| | 260 +/-50 grams | PBT | RED | 0.169 (4.3) | FSM2JART | 2-1437565-2 |
| | ACTUATION FORCE | ACTUATOR MATERIAL | ACTUATOR COLOR | DIM H | T&B P/N | PART NUMBER |

| | | | | | | | | | | | | | | | | | | | | | | |
|--|---|---------------------------|----------|---------|---------------|-------|---|---|-------|---|---|-------|---|------|-------|---|---|--------|---|----|--------------|--|
| THIS DRAWING IS A CONTROLLED DOCUMENT. | | DWN | M.BINNER | 29SEP05 | | | | | | | | | | | | | | | | | | |
| DIMENSIONS: INCHES | | CHK | M.SARVER | 29SEP05 | | | | | | | | | | | | | | | | | | |
| TOLERANCES UNLESS OTHERWISE SPECIFIED: | | APVD | M.SARVER | 29SEP05 | | | | | | | | | | | | | | | | | | |
| <table border="1"> <tr><td>0 PLC</td><td>±</td><td>-</td></tr> <tr><td>1 PLC</td><td>±</td><td>-</td></tr> <tr><td>2 PLC</td><td>±</td><td>-</td></tr> <tr><td>3 PLC</td><td>±</td><td>.012</td></tr> <tr><td>4 PLC</td><td>±</td><td>-</td></tr> <tr><td>ANGLES</td><td>±</td><td>1°</td></tr> </table> | | 0 PLC | ± | - | | 1 PLC | ± | - | 2 PLC | ± | - | 3 PLC | ± | .012 | 4 PLC | ± | - | ANGLES | ± | 1° | PRODUCT SPEC | |
| 0 PLC | ± | - | | | | | | | | | | | | | | | | | | | | |
| 1 PLC | ± | - | | | | | | | | | | | | | | | | | | | | |
| 2 PLC | ± | - | | | | | | | | | | | | | | | | | | | | |
| 3 PLC | ± | .012 | | | | | | | | | | | | | | | | | | | | |
| 4 PLC | ± | - | | | | | | | | | | | | | | | | | | | | |
| ANGLES | ± | 1° | | | | | | | | | | | | | | | | | | | | |
| MATERIAL SEE SPECIFICATIONS | | FINISH SEE SPECIFICATIONS | | WEIGHT | SIZE | | | | | | | | | | | | | | | | | |
| | | CUSTOMER DRAWING | | SCALE | CAGE CODE | | | | | | | | | | | | | | | | | |
| | | | | 4:1 | 00779 | | | | | | | | | | | | | | | | | |
| | | | | SHEET | DRAWING NO | | | | | | | | | | | | | | | | | |
| | | | | 1 OF 1 | C=2-1437565-2 | | | | | | | | | | | | | | | | | |
| | | | | REV | RESTRICTED TO | | | | | | | | | | | | | | | | | |
| | | | | R1 | - | | | | | | | | | | | | | | | | | |

Looking for pricing, stock, or lifecycle information?

Click below to explore more details on WIN SOURCE:

-  [View FSM2JRT](#) on WIN SOURCE
-  [TE Connectivity](#) Information

Optimize Your Supply Chain with WIN SOURCE Solutions

-  Global Sourcing Solution
-  Obsolete Management
-  Cost Control Management
-  Shortage Management
-  Alternative Solution
-  Excess Inventory Management