

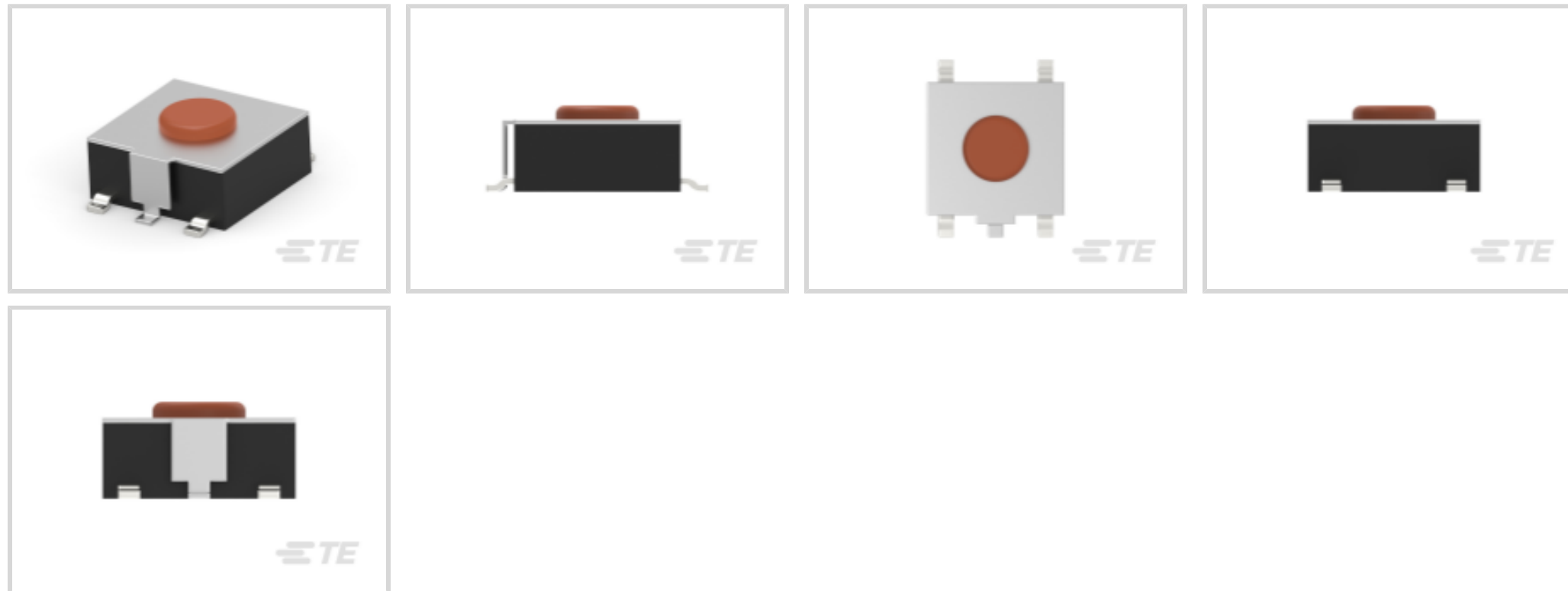


# THE DATASHEET OF FSM1LPATR





Switches > Tactile Switches



Actuator Style: **Round**

Operating Function: **NO**

Contact Base Material: **Copper Alloy**

Switch Contact Plating Material: **Silver**

Low Profile: **With**

## Features

### Product Type Features

Switch Connection Type	Printed Circuit Board
Leg Style	SMD Pads
Illuminated	Without
Actuator Style	Round

### Configuration Features

ESD Grounding Terminal	With
Ganged	With
Switch Feedback Type	Tactile
Operating Function	NO
Support Bracket	Without
Configuration (Pole-Throw)	Single Pole - Single Throw
Number of Actuators	Single

### Electrical Characteristics

Operating Voltage	24 VDC
-------------------	--------



### Body Features

Cover Material	Nickel, Silver
Actuator Force	260 g[9.17 oz]
Case Material	PPS
Actuator Profile	Extended
Actuator Material	PPS
Case Color	Black
Product Orientation	Vertical
Actuator Color	Brown

### Contact Features

Contact Base Material	Copper Alloy
Switch Contact Plating Material	Silver
Contact Current Rating	50 mA

### Termination Features

Termination Method to PCB	Surface Mount
---------------------------	---------------

### Housing Features

Low Profile	With
Process Sealed	No

### Dimensions

Actuator Length	.27 mm[.01 in]
Button Width	2.99 mm[.118 in]
	.122 in

### Usage Conditions

Operating Temperature Range	-35 – 85 °C
-----------------------------	-------------

### Packaging Features

Packaging Method	Tape & Reel
------------------	-------------

### Product Compliance

[For compliance documentation, visit the product page on TE.com>](#)

EU RoHS Directive 2011/65/EU	Compliant
EU ELV Directive 2000/53/EC	Compliant
China RoHS 2 Directive MIIT Order No 32, 2016	No Restricted Materials Above Threshold



EU REACH Regulation (EC) No. 1907/2006

Current ECHA Candidate List: JUNE 2024 (241)

Candidate List Declared Against: JUNE 2024 (241)

Does not contain REACH SVHC

Halogen Content

BFR/CFR/PVC Free, but Br/Cl >900 ppm in other sources.

Solder Process Capability

Reflow solder capable to 260°C

Product Compliance Disclaimer

This information is provided based on reasonable inquiry of our suppliers and represents our current actual knowledge based on the information they provided. This information is subject to change. The part numbers that TE has identified as EU RoHS compliant have a maximum concentration of 0.1% by weight in homogenous materials for lead, hexavalent chromium, mercury, PBB, PBDE, DBP, BBP, DEHP, DIBP, and 0.01% for cadmium, or qualify for an exemption to these limits as defined in the Annexes of Directive 2011/65/EU (RoHS2). Finished electrical and electronic equipment products will be CE marked as required by Directive 2011/65/EU. Components may not be CE marked. Additionally, the part numbers that TE has identified as EU ELV compliant have a maximum concentration of 0.1% by weight in homogenous materials for lead, hexavalent chromium, and mercury, and 0.01% for cadmium, or qualify for an exemption to these limits as defined in the Annexes of Directive 2000/53/EC (ELV). Regarding the REACH Regulation, the information TE provides on SVHC in articles for this part number is based on the latest European Chemicals Agency (ECHA) 'Guidance on requirements for substances in articles' posted at this URL: <https://echa.europa.eu/guidance-documents/guidance-on-reach>

### Compatible Parts



TE Part # 1825910-6  
FSM4JH=6MM TACT SWITCH, HIGH TEMP



TE Part # 2-1825910-7  
FSM14JH=6MM TACT SWITCH, HIGH TEMP



TE Part # 4-1437565-2  
FSM4JSMATR=TACT SWITCH 6X6MIL



TE Part # 3-1437565-0  
FSM2JSMATR=ON T/R



TE Part # 2-1977223-8  
FSM14JSMAS=6MM TACT SWITCH, SMT 160gf

Also in the Series | [Alcoswitch FSM1LP](#)



Tactile Switches(4)

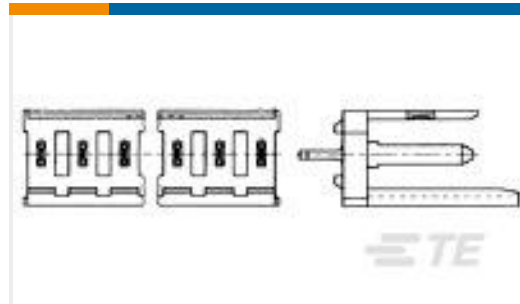
## Customers Also Bought



TE Part #1-770973-0  
14P MINI UMNL R/A HDR ASSY SN



TE Part #350827-4  
06P UMNL HDR ASSY PC 94VO LF



TE Part #280614-2  
12P MOD 1 SHROUDED HEADER, ST, 0.4 Au



TE Part #170095-1  
250 FASTON, REC., 22-18 AWG, TPPB



TE Part #2-1825059-3  
ADF05ST04=DIP SWT, FLUSH, SMT-GW



TE Part #1879213-3  
CPF 0402 27R4 0.1% 25PPM 1K RL



TE Part #2176327-2  
CRGP 0805 12R 1%



TE Part #5569261-1  
STK MJ ASSY, 8POS, 2X3, SHLD, CAT5



TE Part #RXM-GPS-RM-T  
Module RM L1 GPS RX RCVR T&R

## Documents

### Product Drawings

[FSM1LPATR=TACT SWITCH 6X6MIL S](#)

English

### CAD Files

[Customer View Model](#)

[ENG\\_CVM\\_1-1437565-8\\_D1.3d\\_igs.zip](#)

English

[Customer View Model](#)



[ENG\\_CVM\\_1-1437565-8\\_D1.3d\\_stp.zip](#)

English

**Customer View Model**

[ENG\\_CVM\\_1-1437565-8\\_D1.2d\\_dxf.zip](#)

English

**3D PDF**

English

**Customer View Model**

[ENG\\_CVM\\_CVM\\_1-1437565-8\\_E.3d\\_stp.zip](#)

English

**Customer View Model**

[ENG\\_CVM\\_CVM\\_1-1437565-8\\_E.2d\\_dxf.zip](#)

English

**3D PDF**

3D

**Customer View Model**

[ENG\\_CVM\\_CVM\\_1-1437565-8\\_E.3d\\_igs.zip](#)

English

By downloading the CAD file I accept and agree to the [Terms and Conditions](#) of use.

## Datasheets & Catalog Pages

[SWITCHES\\_CORE\\_PROGRAM\\_CATALOG](#)

English

[Products for Mobile Equipment](#)

English

Looking for pricing, stock, or lifecycle information?

Click below to explore more details on WIN SOURCE:

[View FSM1LPATR on WIN SOURCE](#)

[TE Connectivity Information](#)

### Optimize Your Supply Chain with WIN SOURCE Solutions

- ✓ Global Sourcing Solution
- ✓ Obsolete Management
- ✓ Cost Control Management
- ✓ Shortage Management
- ✓ Alternative Solution
- ✓ Excess Inventory Management