

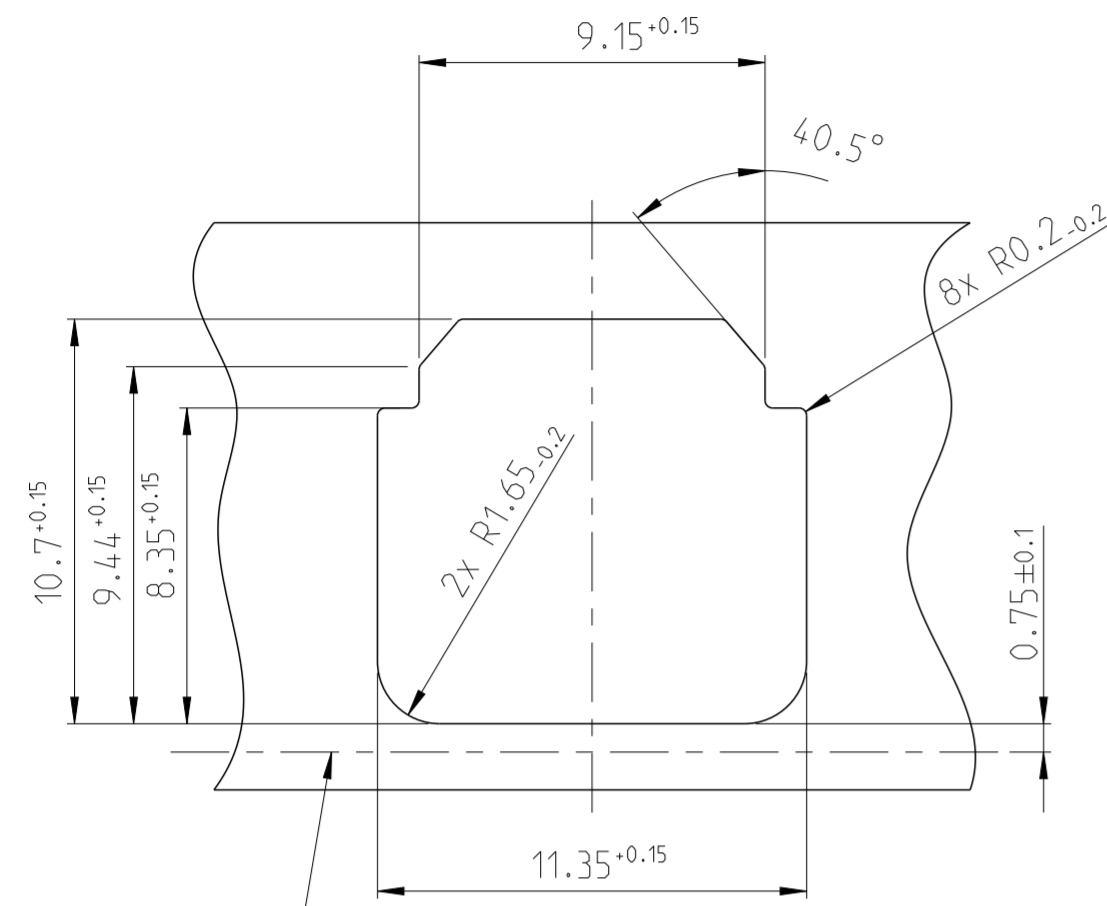


THE DATASHEET OF
1452625-1



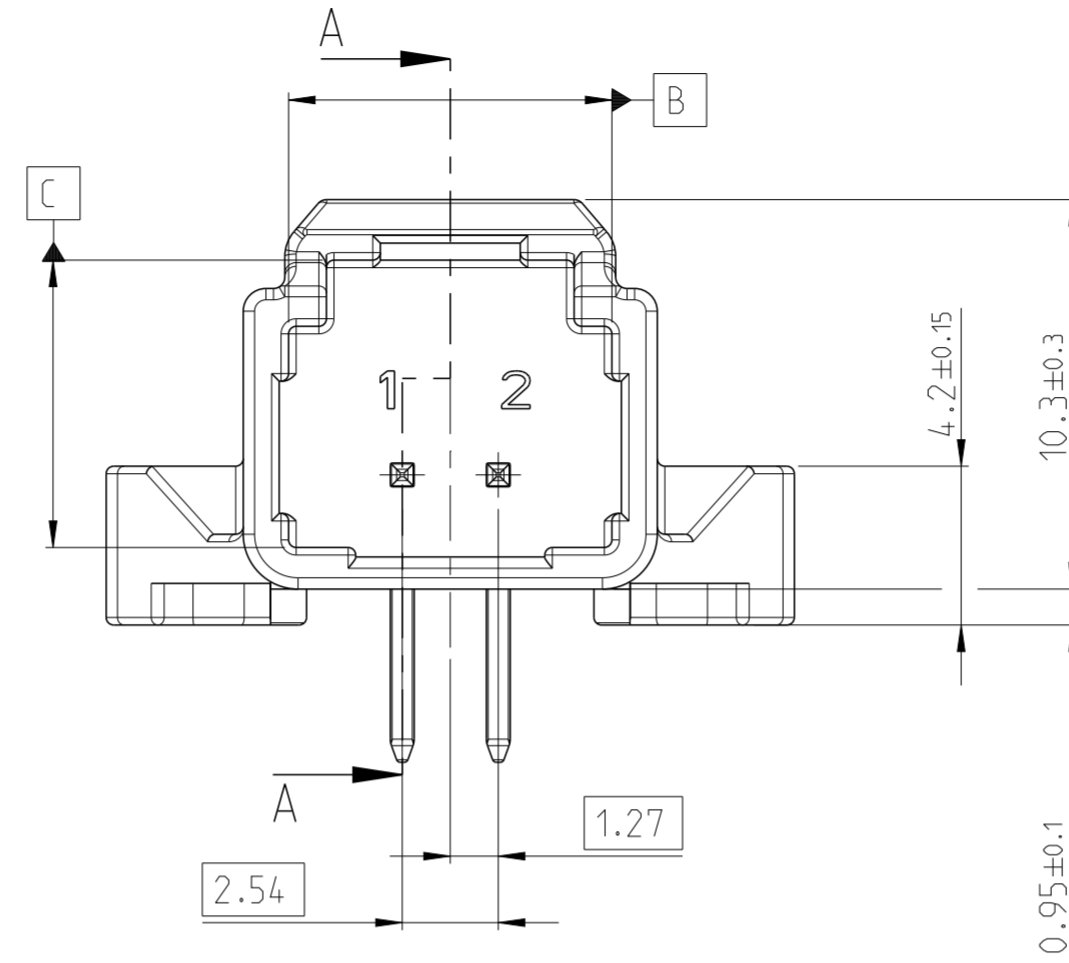
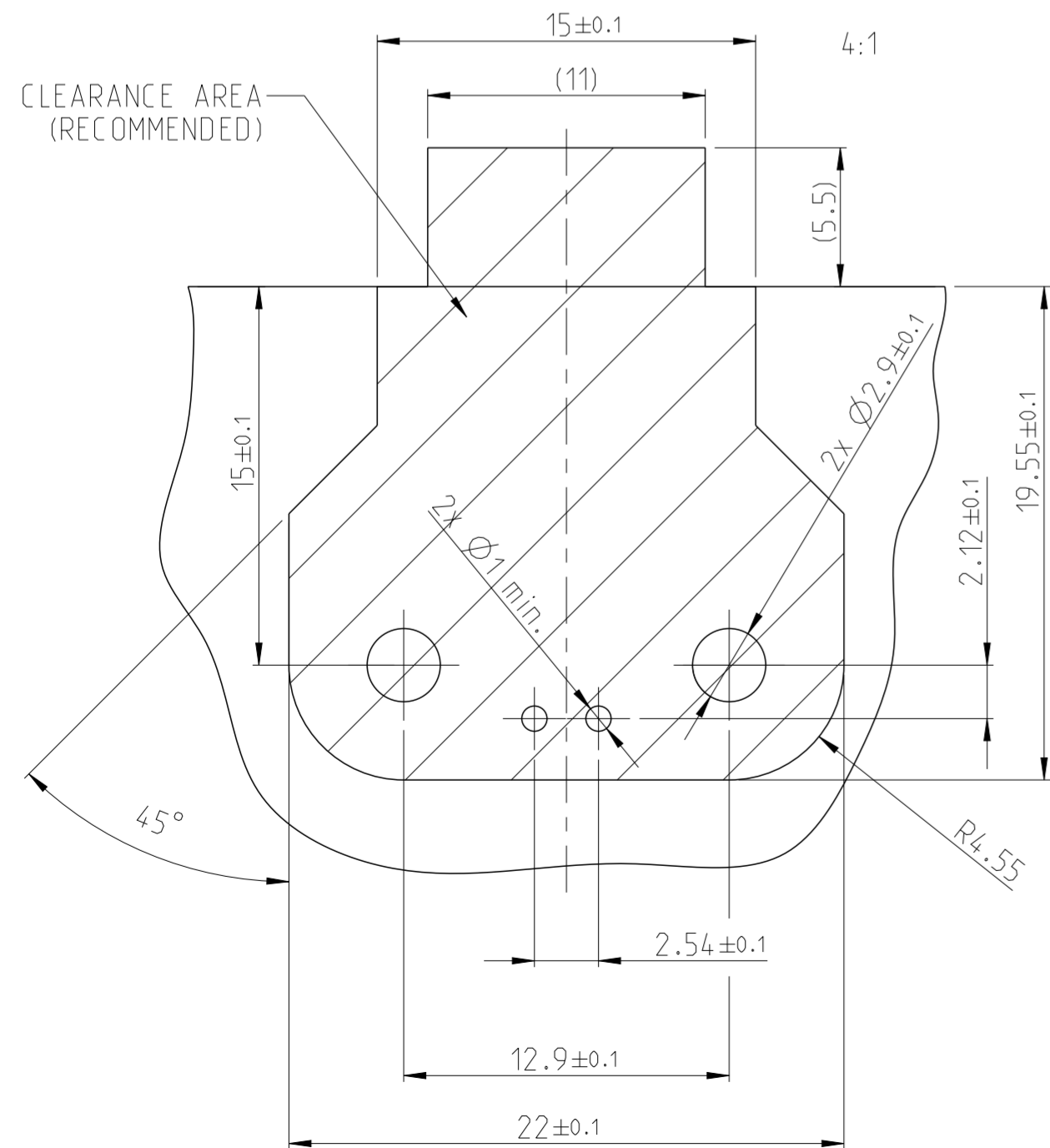
REVISIONS					
P	LTR	DESCRIPTION	DATE	DWN	APVD
A2		SEE PCN: EG00-1138-03-1	28MAR2003	MD	GS
A3		DRAWING UPDATE. SEE EGA0-2083-04	16SEP2004	HM	GS
A4		SECTION B-B NEW ADDED	29APR2005	HM	GS
A5		SEE PCN-E-14-006071	28APR2014	SS	GS

RECOMMENDED FRONTPANEL CUTOUT
 (FOR INDICATED AREA ONLY) 1

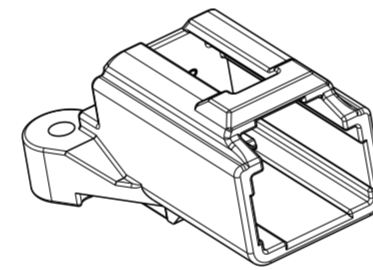


PCB CONNECTOR SIDE

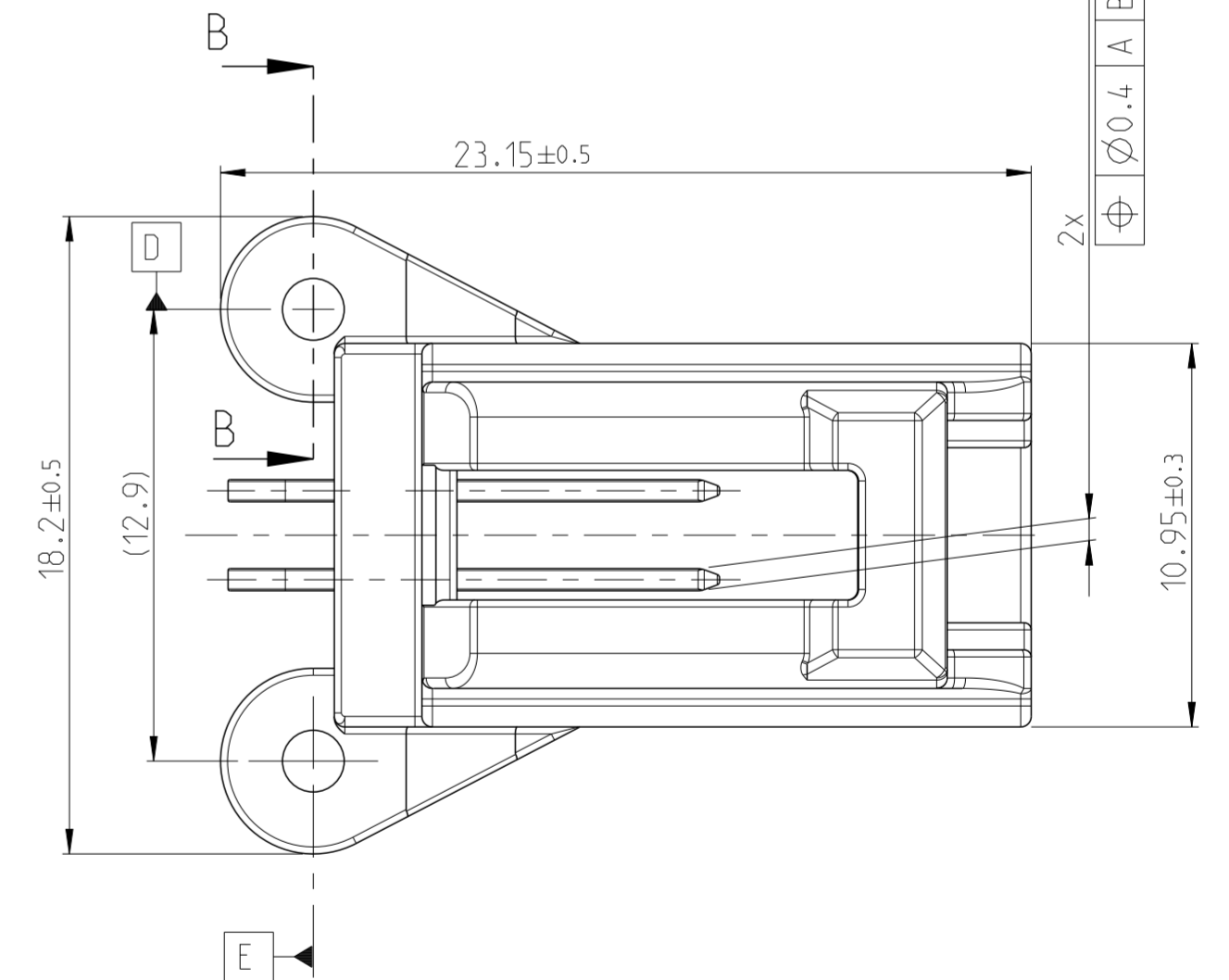
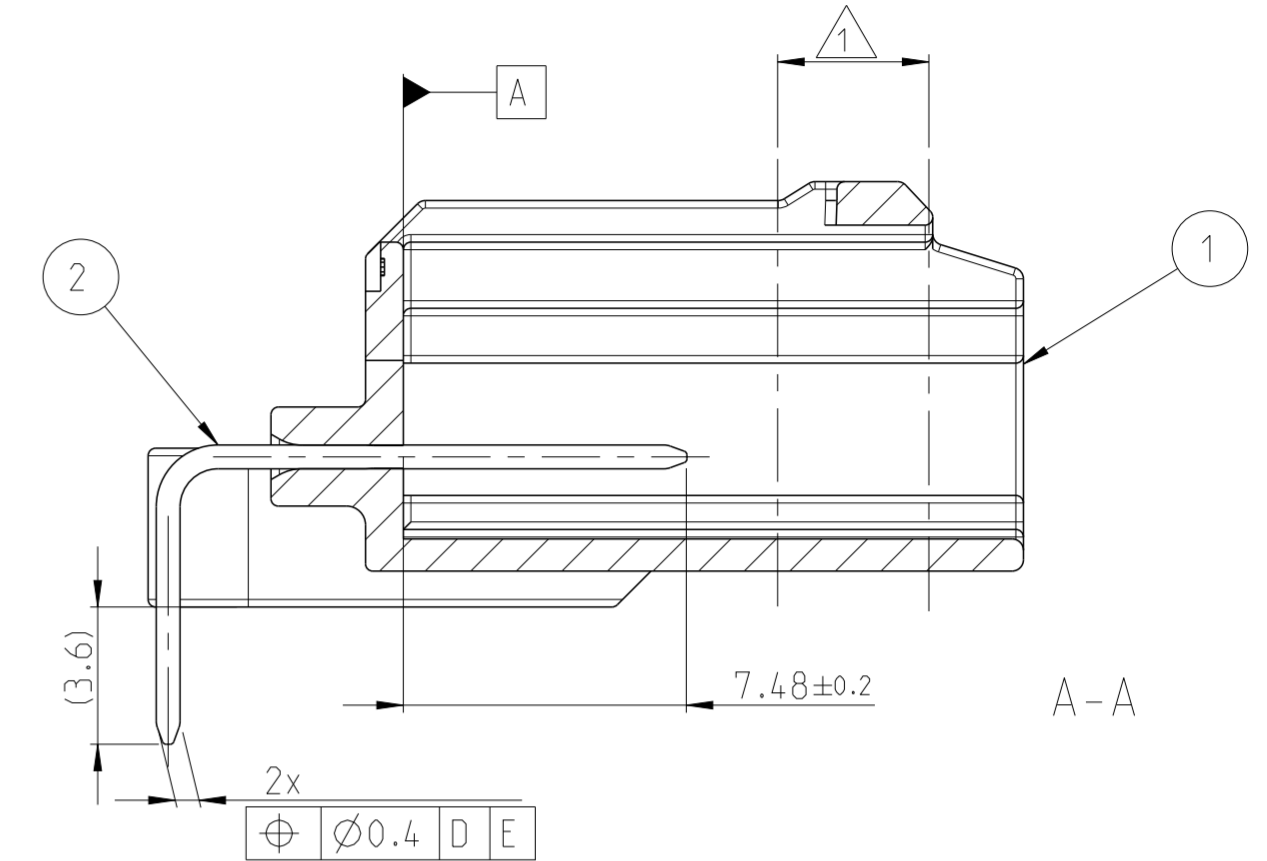
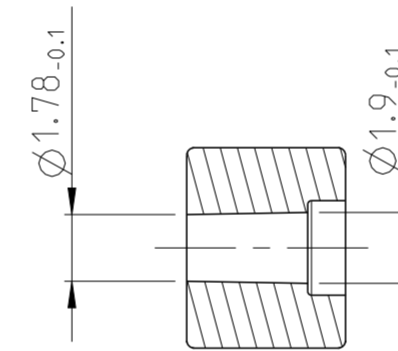
RECOMMENDED PCB LAYOUT
 (SHOWN FROM CONNECTOR SIDE)



B-B



2:1



NOTES :

- RECOMMENDED MOUNTING SCREW:
DIAMETER FOR PA-MATERIAL: 2.5mm NOMINAL
- ALL SYMMETRIC DIMENSIONS $\pm 0.05 \text{ (M)}$ $\pm 0.1 \text{ (C)}$
- BULK PACKAGING IN CORRUGATED SHIPPING BOX A5
- ALTERNATIVE MATERIAL A5

REV.	TE ORDER-NUMBER	QTY	ITEM	DESCRIPTION	MATERIAL	COLOR/ FINISH
A	1452625-1					
2	2	CONTACT PIN	CuFe	TIN		
1	1	2 POS. HOUSING.	PA66	BLACK		
1	1	2 POS. HOUSING.	PA66	BLACK (BY MASTER BATCH)		

THIS DRAWING IS A CONTROLLED DOCUMENT.

DWN M. DAUBER 03JUL2002
 CHK G. STEINBACH 07NOV2002
 APVD -



DIMENSIONS: mm	TOLERANCES UNLESS OTHERWISE SPECIFIED: 0 PLC ± 1 PLC ± 2 PLC ± 3 PLC ± 4 PLC ± ANGLES ± FINISH
MATERIAL	

PRODUCT SPEC	NAME
APPLICATION SPEC	2 POS. GET HEADER 90 DEG. VERSION
WEIGHT	SIZE CAGE CODE DRAWING NO RESTRICTED TO
Customer Drawing	A2 00779 C-1452625

SCALE	SHEET	OF	REV
5:1	1	1	A5

Looking for pricing, stock, or lifecycle information?

Click below to explore more details on WIN SOURCE:

 [View 1452625-1](#) on WIN SOURCE

 [TE Connectivity](#) Information

Optimize Your Supply Chain with WIN SOURCE Solutions

-  Global Sourcing Solution
-  Obsolete Management
-  Cost Control Management
-  Shortage Management
-  Alternative Solution
-  Excess Inventory Management