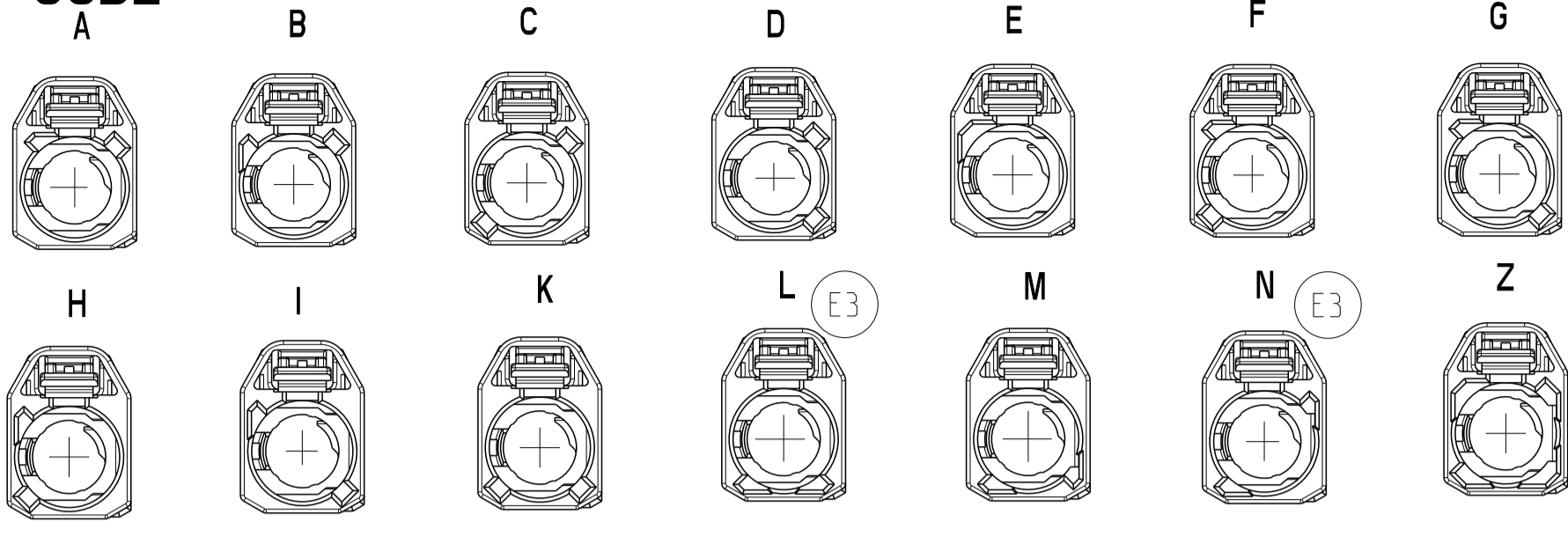




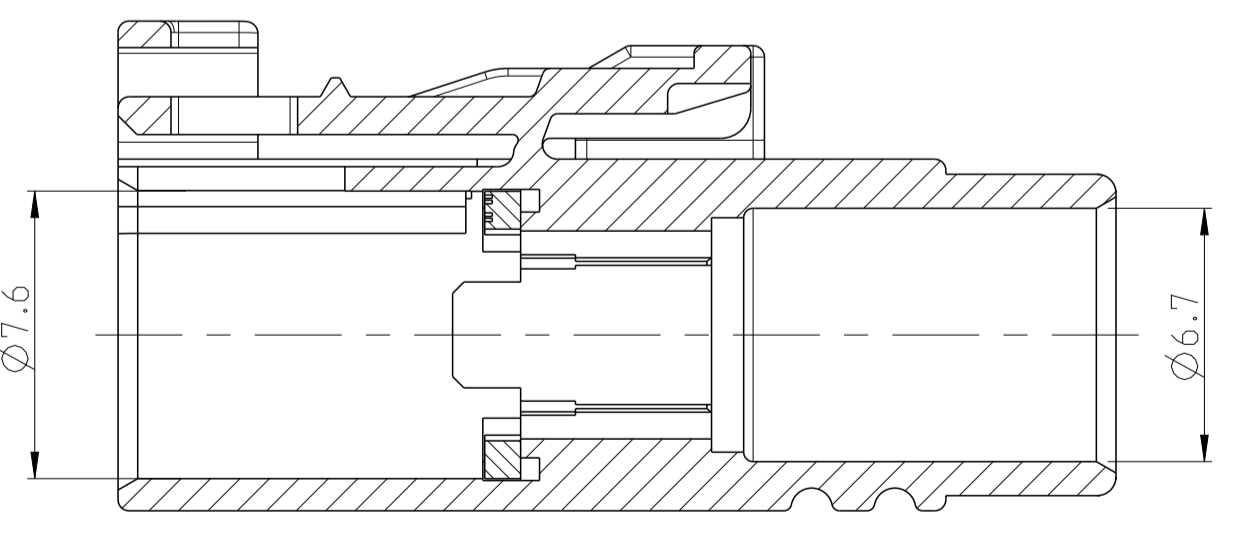
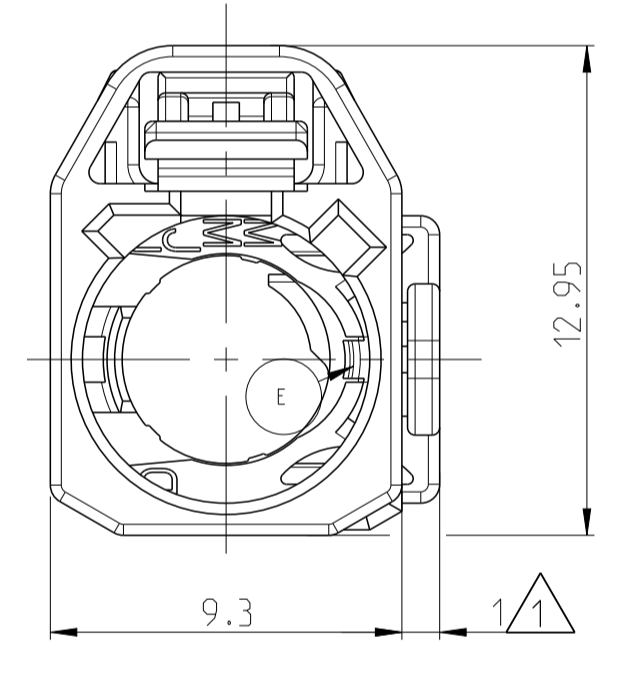
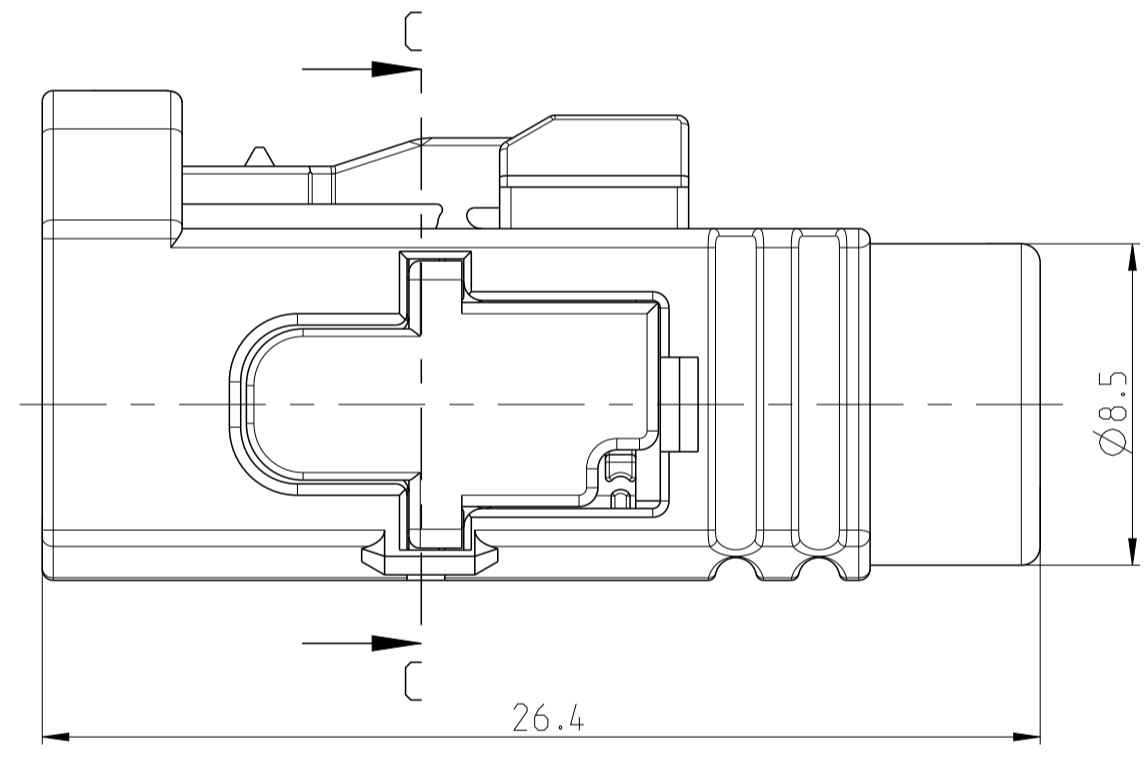
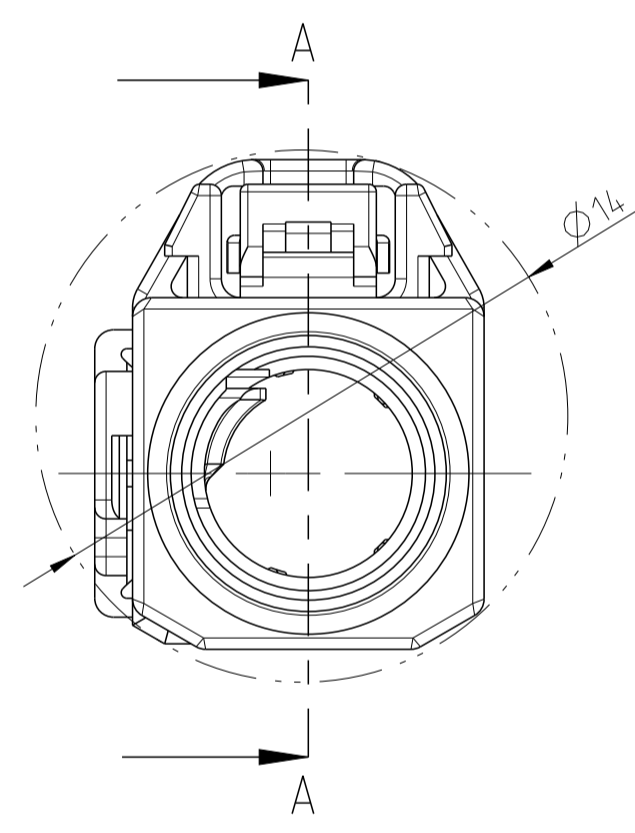
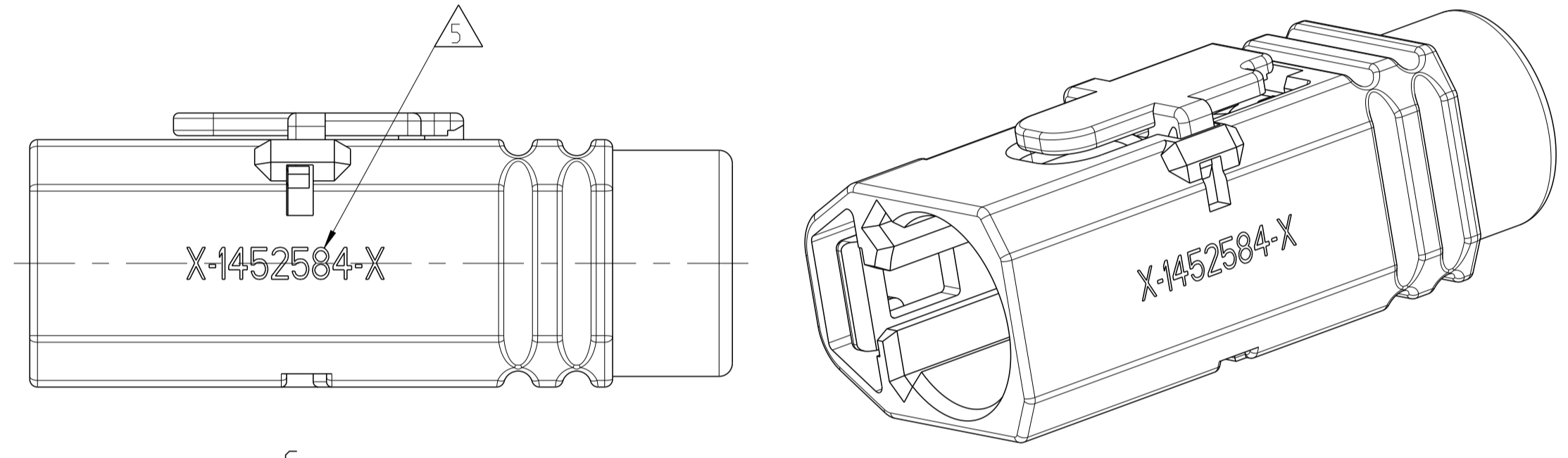
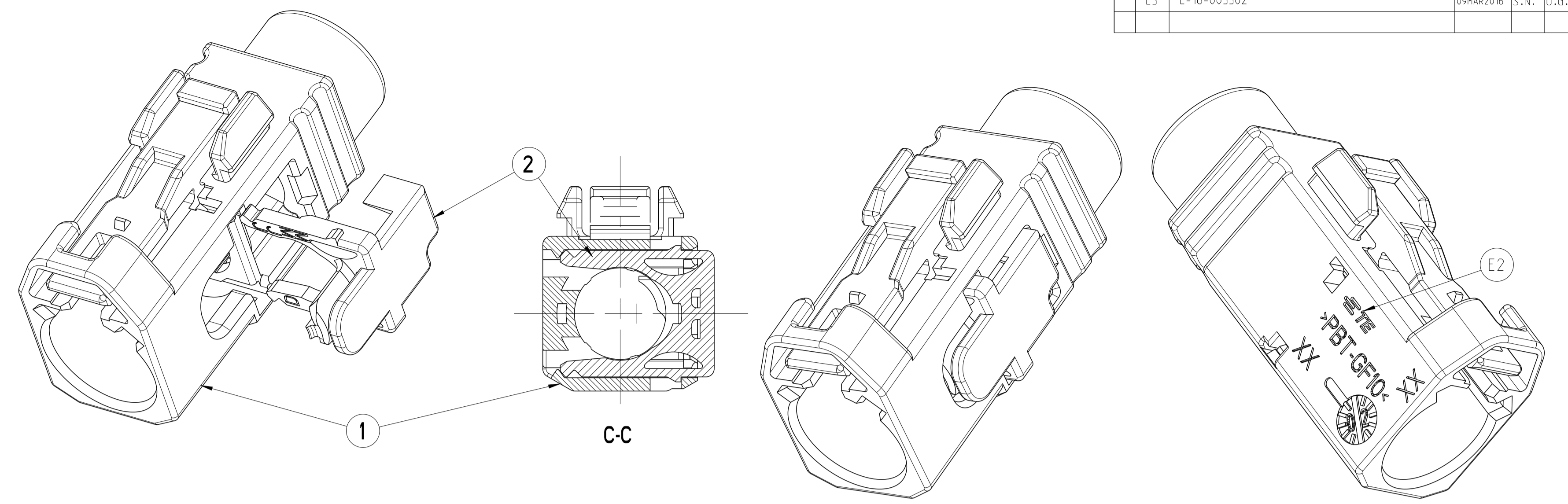
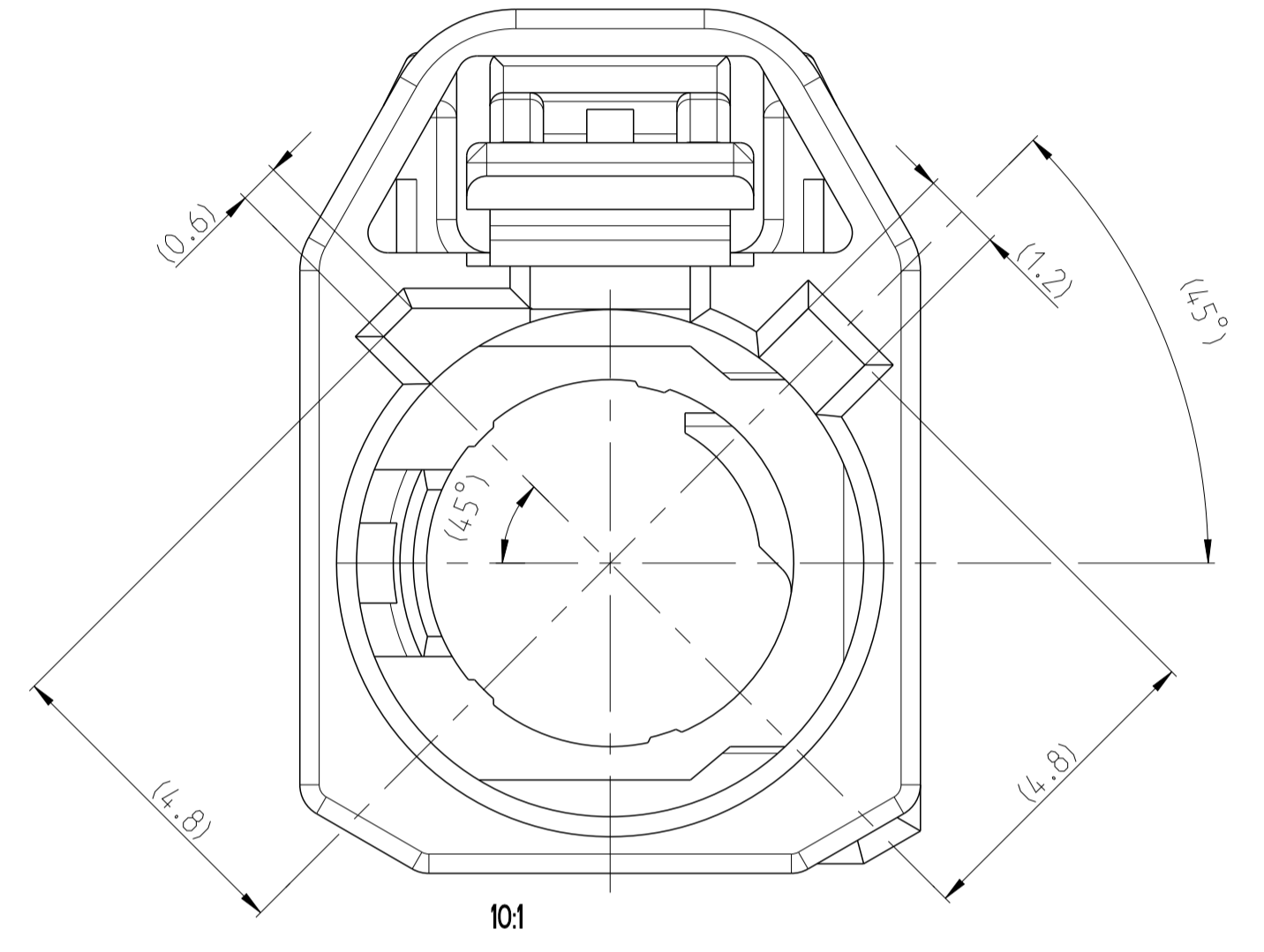
THE DATASHEET OF
1452584-3



Codierung KEY CODE 2:1



Bemassung gilt fuer alle Fuehrungen fuer die Kodierrippen
DIMENSIONS APPLY TO ALL GUIDANCES FOR THE CODING RIBS



A-A

Bemerkungen NOTES

- 1 Sekundärverriegelung in Vorraststellung
RETAINER IN PRE-SET POSITION
- 2 0-1452584-1 wie gezeichnet
0-1452584-1 AS SHOWN
- 3 Im gesteckten Zustand sollen die elektrischen und mechanischen Anforderungen nach FAKRA und IEC 169-10 erfüllt werden.
THE CONNECTION HAS TO FULFILL THE MECHANICAL AND ELECTRICAL REQUIREMENTS OF FAKRA AND IEC 169-10.
- 4 Passende Kontakte siehe K-Zeichnung 1488571
SUITABLE TERMINALS SEE C-DRAWING 1488571
- 5 TE Teile Nummer siehe Tabelle
TE PART NUMBER SEE TABLE

ITEM NO	TE PART NUMBER	REV	KEY CODE	COLOUR	DESCRIPTION	QTY	SUITABLE FOR
E3	1-1452584-4		N	traffic purple/4006	1 WAY RETAINER	1	1-1452581-4
				green/6019	1 WAY PLUG HSG.	1	
E3	1-1452584-3		M	traffic purple/4006	1 WAY RETAINER	1	1-1452581-3
				orange/2003	1 WAY PLUG HSG.	1	
E3	1-1452584-2		L	traffic purple/4006	1 WAY RETAINER	1	1-1452581-2
				red/3002	1 WAY PLUG HSG.	1	
E3	1-1452584-1		Z	traffic purple/4006	1 WAY RETAINER	1	1-1452581-1
				water blue/5021	1 WAY PLUG HSG.	1	
E3	1-1452584-0		K	traffic purple/4006	1 WAY RETAINER	1	1-1452581-0
				curry/1027	1 WAY PLUG HSG.	1	
E3	0-1452584-9		I	traffic purple/4006	1 WAY RETAINER	1	0-1452581-9
				beige/1001	1 WAY PLUG HSG.	1	
E3	0-1452584-8		H	traffic purple/4006	1 WAY RETAINER	1	0-1452581-8
				violett/4003	1 WAY PLUG HSG.	1	
E3	0-1452584-7		G	traffic purple/4006	1 WAY RETAINER	1	0-1452581-7
				blue grey/7031	1 WAY PLUG HSG.	1	
E3	0-1452584-6		F	traffic purple/4006	1 WAY RETAINER	1	0-1452581-6
				brown/8011	1 WAY PLUG HSG.	1	
E3	0-1452584-5		E	traffic purple/4006	1 WAY RETAINER	1	0-1452581-5
				green/6002	1 WAY PLUG HSG.	1	
E3	0-1452584-4		D	traffic purple/4006	1 WAY RETAINER	1	0-1452581-4
				claret violett/4004	1 WAY PLUG HSG.	1	
E3	0-1452584-3		C	traffic purple/4006	1 WAY RETAINER	1	0-1452581-3
				blue/5005	1 WAY PLUG HSG.	1	
E3	0-1452584-2		B	traffic purple/4006	1 WAY RETAINER	1	0-1452581-2
				cream/9001	1 WAY PLUG HSG.	1	
E3	0-1452584-1		A	traffic purple/4006	1 WAY RETAINER	1	0-1452581-1
				black/9005	1 WAY PLUG HSG.	1	

THIS DRAWING IS A CONTROLLED DOCUMENT. OWN: G.HO/TEA 26FEB2003
 CHG: H. RIPPER 26FEB2003
 APVD: E. MUMMER 27FEB2003

TE Connectivity

NAME: Steckergehause (Buchse), Zusammenbau
 PLUG HOUSING (FEMALE) ASSEMBLY
 1-polig, 1WAY, FAKRA 2

SIZE: 114-18609-1
 CAGE CODE: 00779
 DRAWING NO: 1452584

SCALE: 5:1 SHEET: 1 OF 1 REV: E3

Looking for pricing, stock, or lifecycle information?

Click below to explore more details on WIN SOURCE:

 [View 1452584-3 on WIN SOURCE](#)

 [TE Connectivity](#) Information

Optimize Your Supply Chain with WIN SOURCE Solutions

-  Global Sourcing Solution
-  Obsolete Management
-  Cost Control Management
-  Shortage Management
-  Alternative Solution
-  Excess Inventory Management