

6-Bit Bi-directional Level Shifter for SD 3.0-SDR104 Compliant Memory Card Application

Features

- Supports up to 208 MHz clock rate
- Supports 1.2V to 1.8V host side interface voltage
- Voltage translation supports SDR104, SDR50, DDR50, SDR25, SDR12, High-Speed and Default-Speed modes and comply SD 3.0 specification
- Automatic enable and disable through VSD supply pin
- Built-in 100mA Low dropout voltage regulator to supply the voltage of memory card I/Os
- Integrated pull-up and pull-down resistors
- Integrated EMI filters for digital I/Os
- On card side, supports 8 kV ESD protection(IEC 61000-4-2, level 4)
- Level shifting buffers keep ESD stress away from the host
- Totally Lead-Free & Fully RoHS Compliant (Notes 1 & 2)
- Halogen- and Antimony-Free. "Green" Device (Note 3)
- For automotive applications requiring specific change control (i.e. parts qualified to AEC-Q100/101/200, PPAP capable, and manufactured in IATF 16949 certified facilities), please [contact us](#) or your local Diodes representative.
<https://www.diodes.com/quality/product-definitions/>
- Packaging (Pb-free & Green):
 - 20-ball (WLCSP), pitch 0.4 mm

Description

The device is an SD 3.0-compliant bidirectional dual voltage level translator without direction pin control. It can translate the memory card voltage to 1.8V or 3.0V signal levels from 1.2V to 1.8V of host side and supports SD 3.0 SDR104(208Mhz), SDR50(100Mhz), DDR50(50Mhz), SDR25(50Mhz), SDR12(25Mhz) and SD 2.0 High-Speed (50 MHz) and Default-Speed (25 MHz) modes.

To supply the memory card I/Os, the device has an integrated voltage selectable regulator and an auto-enable/disable function that connects to the VSD supply pin. The device also has built-in EMI filters and ESD protections.

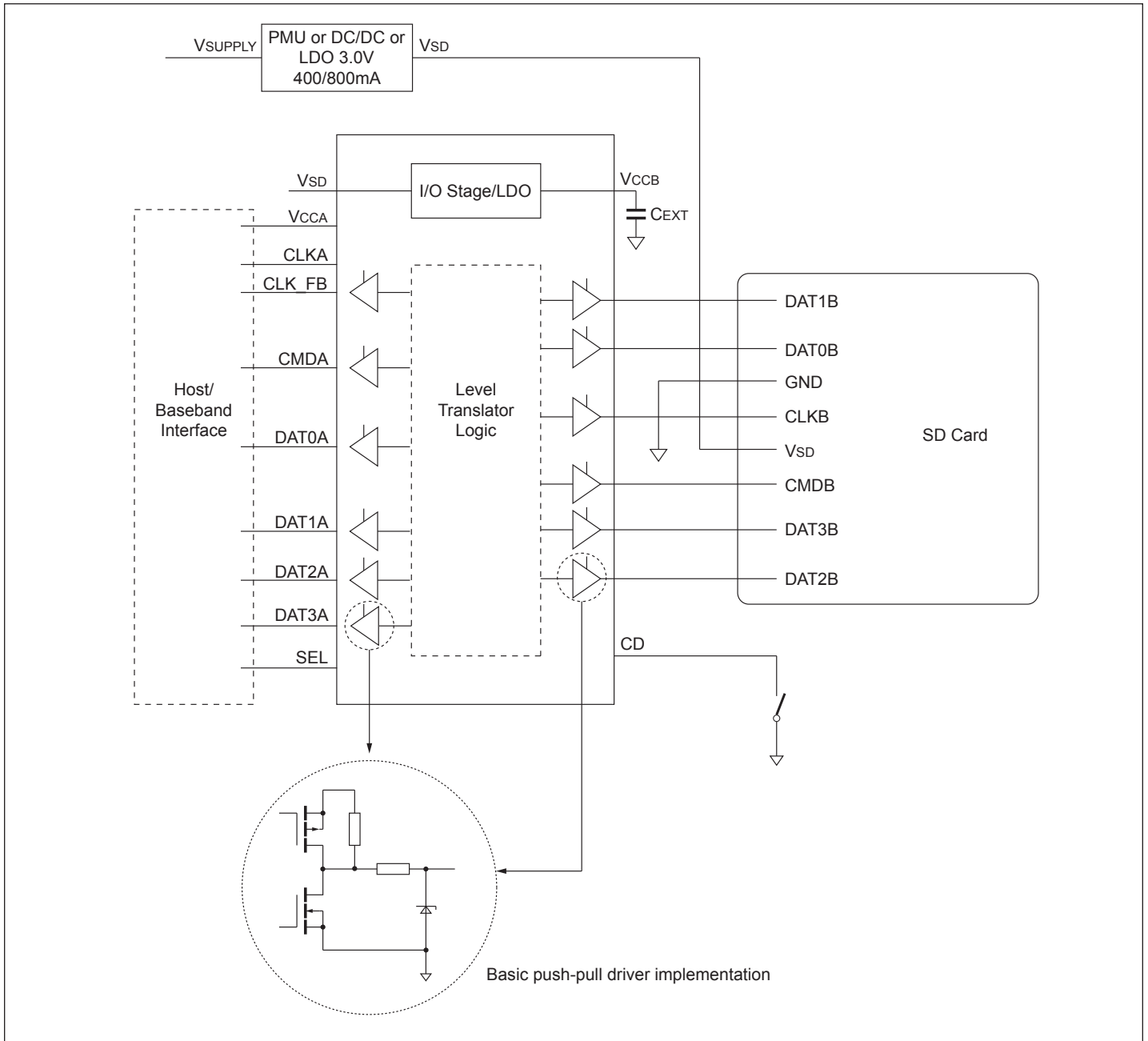
Applications

- Smart phones
- Mobile handsets
- Digital cameras
- Tablet PCs
- Laptop computers
- SD, MMC or microSD card readers

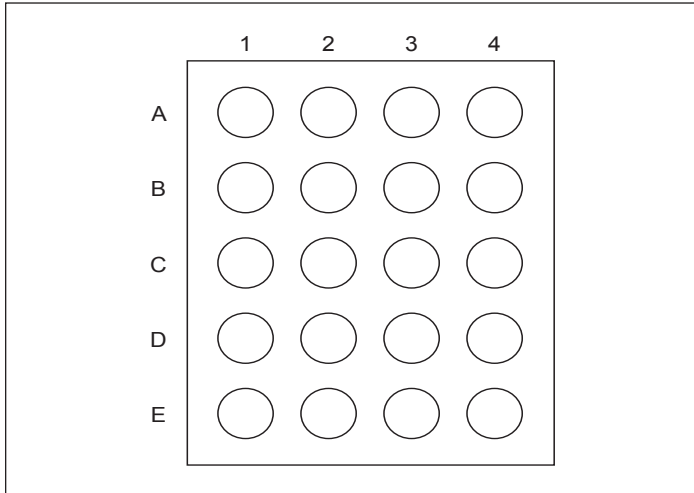
Notes:

1. No purposely added lead. Fully EU Directive 2002/95/EC (RoHS), 2011/65/EU (RoHS 2) & 2015/863/EU (RoHS 3) compliant.
2. See <https://www.diodes.com/quality/lead-free/> for more information about Diodes Incorporated's definitions of Halogen- and Antimony-free, "Green" and Lead-free.
3. Halogen- and Antimony-free "Green" products are defined as those which contain <900ppm bromine, <900ppm chlorine (<1500ppm total Br + Cl) and <1000ppm antimony compounds.

Block Diagram



Pin Configuration (Top-Side View)



Pin Description

Pin #	Pin Name	Type	Description
A1	DAT2A	I/O	Data 2 input or output on host side
A2	V _{CCA}	Pwr	Supply voltage from host side
A3	V _{SD}	Pwr	Supply voltage
A4	DAT2B	I/O	Data 2 input or output on memory card side
B1	DAT3A	I/O	Data 3 input or output on host side
B2	CD	O	High voltage output (refer to V _{CCA})
B3	V _{CCB}	Pwr	Internal supply decoupling (V _{LDO})
B4	DAT3B	I/O	Data 3 input or output on memory card side
C1	CMDA	I/O	Command input or output on host side
C2	GND	Pwr	Supply ground
C3	GND	Pwr	Supply ground
C4	CMDB	I/O	Command input or output on memory card side
D1	DAT0A	I/O	Data 0 input or output on host side
D2	CLKA	I	Clock signal input on host side
D3	CLKB	O	Clock signal output on memory card side
D4	DAT0B	I/O	Data 0 input or output on memory card side
E1	DAT1A	I/O	Data 1 input or output on host side
E2	CLK_FB	O	Clock feedback output on host side
E3	SEL	I	Card side I/O voltage level select
E4	DAT1B	I/O	Data 1 input or output on memory card side

Note:

1. The pin names relate particularly to SD memory cards, but also apply to microSD and MMC memory cards.
2. I = input, O = output, I/O = input and output, S = power supply

Maximum Ratings

(Above which useful life may be impaired. For user guidelines, not tested.)

Storage Temperature	-55°C to +150°C
Junction Temperature	125°C max
Supply Voltage to Ground Potential	-0.5V to +4.6V
Host Side Input Voltage	-0.5V to +2.2V
Card Side Input Voltage	-0.5V to +4.6V
Power Dissipation Continuous	1000mW
I/O Latch-up Current	-100mA to +100mA
ESD, HBM	-2000V to +2000V

Note:

Stresses greater than those listed under MAXIMUM RATINGS may cause permanent damage to the device. This is a stress rating only and functional operation of the device at these or any other conditions above those indicated in the operational sections of this specification is not implied. Exposure to absolute maximum rating conditions for extended periods may affect reliability.

Limiting Values

Symbol	Parameter	Conditions	Min.	Max.	Units	
V _{CC}	Supply voltage	4ms transient	On pin V _{SD}	-0.5	+4.6	V
			On pin V _{CCA}	-0.5	+2.2	V
V _I	Input voltage	4ms transient at I/O pins, port A max. = 2.2V	-0.5	+4.6	V	
P _{tot}	Total power dissipation	T _{amb} = -40 °C to +85 °C		1000	mW	
T _{stg}	Storage temperature		-55	150	°C	
V _{ESD}	Electrostatic discharge voltage	IEC 61000-4-2, level 4, all memory card-side pins, V _{SD} and CD to ground ⁽¹⁾	Contact discharge	-8	8	kV
			Air discharge	-15	15	kV
			Human Body Model (HBM) JEDEC JESD22-A114F; all pins	-2000	2000	V
			Charge Device Model (CDM) JEDEC JESD22-C101E; all pins	-500	500	V
I _{Iu(IO)}	Input/output latch-up current	JESD 78B: -0.5 x V _{CC} < V _I < 1.5 x V _{CC} ; T _j < 125 °C	-100	100	mA	

Note: 1. All system level tests are performed with the application-specific capacitors connected to the supply pins V_{SUPPLY}, V_{LDO} and V_{CCA}.

Recommended Operating Conditions

Operating Conditions

Symbol	Parameter	Conditions	Min.	Typ.	Max.	Units
V _{CC}	Supply voltage	On pin V _{SD}	2.9 ⁽¹⁾		3.6	V
		On pin V _{CCA}	1.1		2.0	V
V _I	Input voltage	Host side	-0.3 ⁽²⁾		V _{CCA} + 0.3	V
		Memory card side	-0.3		V _{O(LDO)} + 0.3	V
C _{ext}	External capacitance	Recommended capacitor at pin V _{CCB}		2.2		μF
ESR	Equivalent series resistance	At pin V _{LDO}	0		50	mΩ
C _{ext}	External capacitance	Recommended capacitor at pin V _{SD}		0.1		μF
		Recommended capacitor at pin V _{CCA}		0.1		μF

Note:

- By minimum value the device is still fully functional, but the voltage on pin V_{LDO} might drop below the recommended memory card supply voltage.
- The voltage must not exceed 3.6 V.

Integrated Resistors

T_{amb} = 25°C; unless otherwise specified.

Symbol	Parameter	Conditions	Min.	Typ.	Max.	Units
R _{pd}	Pull-down resistance	R3; tolerance ±30 %	70	100	130	Ω
		R5	200	350	500	kΩ
R _{pu}	Pull-up resistance	All data lines and CMDx	21	30	39	kΩ
		R4	70	100	130	kΩ
R _s	Series resistance	Host side; R1; tolerance ±30 %	(1)	22.5		Ω
		Card side; R2; tolerance ±30 %	(1)	15		Ω

Note:

1. Guaranteed by design.

Static Characteristics

At recommended operating conditions; T_{amb} = 40°C to +85°C; voltages are referenced to GND (ground = 0 V); C_{ext} = 2.2 μF at pin V_{CCB}; unless otherwise specified.

Symbol	Parameter	Conditions	Min.	Typ. ⁽²⁾	Max.	Units
Automatic Enable Feature: V_{SD}						
V _{SDen}	Device enable voltage level	V _{CCA} ≥ 1.0V, V _{SD} rising edge	2.05	2.25	2.45	V
V _{SDisable}	Device disable voltage level	V _{CCA} ≥ 1.0V, V _{SD} rising edge	2.0	2.2	2.4	V
ΔV _{SDen}	V _{SDen} hysteresis voltage			50		mV
Supply Voltage Regulator for Card-side I/O Pin: V_{CCB}						
V _{O(LDO)}	Regulator/switch output voltage	SEL = LOW; 3.0V ≤ V _{SD} ≤ 3.6V; I _O < 100mA	V _{SD} -0.2	V _{SD} -0.1	V _{SD}	V
		SEL = HIGH; V _{SD} ≥ 2.9V; I _O < 100mA	1.7	1.8	1.95	V
I _{O(LDO)}	Regulator/switch output current				100	mA
Host-side Input Signals: CMDA and DAT0A to DAT3A, CLKA; 1.1V ≤ V_{CCA} ≤ 2.0V						
V _{IH}	High level input voltage		0.75 x V _{CCA}		V _{CCA} + 0.3	V
V _{IL}	Low level input voltage		-0.3		0.25 x V _{CCA}	V
Host-side Control Signals; 1.1V ≤ V_{CCA} ≤ 2.0V – SEL						
V _{IH}	High level input voltage		0.75 x V _{CCA}		V _{CCA} + 0.3	V
V _{IL}	Low level input voltage		-0.3		0.25 x V _{CCA}	V
Host-side Output Signals: CLK_FB, CMDA and DAT0A to DAT3A; 1.1V ≤ V_{CCA} ≤ 2.0V						
V _{OH}	High level output voltage for CLK_FB	I _O = 2mA; V _I = V _{IH} (card side)	0.8 x V _{CCA}			V
	High level output voltage for CMDA, DATxA	I _O = 2μA; V _I = V _{IH} (card side)	0.8 x V _{CCA}			V

Static Characteristics Cont.

Symbol	Parameter	Conditions	Min.	Typ. ⁽²⁾	Max.	Units	
V _{OL}	Low level output voltage	I _O = 2mA; V _I = V _{IL} (card side)			0.15 x V _{CCA}	V	
Card-side Input Signals: CMDB and DAT0B to DAT3B							
V _{IH}	High level input voltage	SEL = LOW (3.0V card interface)	0.625 x V _{O(LDO)}		V _{O(LDO)} + 0.3	V	
		SEL = HIGH (1.8V card interface)	0.625 x V _{O(LDO)}		V _{O(LDO)} + 0.3	V	
V _{IL}	Low level input voltage	SEL = LOW (3.0V card interface)	-0.3		0.3 x V _{O(LDO)}	V	
		SEL = HIGH (1.8V card interface)	-0.3		0.3 x V _{O(LDO)}	V	
Card-side Output Signal – CMDB and DAT0B to DAT3B, CLKB							
V _{OH}	High level output voltage for CLKB only	I _O = 4mA; V _I = V _{IH} (host side); SEL = LOW (3.0V card interface)	0.85 x V _{O(LDO)}		V _{O(LDO)} + 0.3	V	
		I _O = 2mA; V _I = V _{IH} (host side); SEL = HIGH (1.8V card interface)	0.85 x V _{O(LDO)}		2.0	V	
	High level output voltage for CMDB, DATxB	I _O = 2μA; V _I = V _{IH} (host side); SEL = HIGH (1.8V card interface)	0.85 x V _{O(LDO)}		2.0	V	
V _{OL}	Low level output voltage	I _O = -4mA; V _I = V _{IL} (host side); SEL = LOW (2.9V card interface)	-0.3		0.125 x V _{O(LDO)}	V	
		I _O = -2mA; V _I = V _{I card L} (host side); SEL = HIGH (1.8V interface)	-0.3		0.125 x V _{O(LDO)}	V	
Card-side Output Signal – Bus Signal Equivalent Capacitance							
C _{ch}	Channel capacitance	V _I = 0V; f _i = 1 MHz; V _{SD} = 3.0V; V _{CCA} = 1.8V	Host side	⁽³⁾	7		pF
			Card side			15	
Current Consumption							
I _{CC(stat)}	Static supply current	V _{SD} ≥ V _{SDen} (active mode); All inputs = HIGH	SEL = LOW (3.0V card interface)			100	μA
			SEL = HIGH (1.8V card interface)			100	μA
I _{CC(stb)}	Standby supply current	V _{SD} ≤ V _{SDen} and V _{CCA} ≥ 1.0V (Inactive mode); All host side inputs = HIGH				7	μA

Note:

1. Guaranteed by design and characterization.
2. Typical values are measured at T_{amb} = 25°C.
3. EMI filter line capacitance per data channel from I/O driver to pin; C_{ch} is guaranteed by design.

Dynamic Characteristics

Voltage Regulator

($T_{amb} = 25^{\circ}C$; unless otherwise specified.)

Symbol	Parameter	Conditions	Min.	Typ.	Max.	Units
Voltage Regulator Output Pin: V_{CCB}						
$t_{startup(LDO)}$	Regulator start-up time	$V_{CCA} = 1.8V$; $V_{SD} = 3.0V$; $C_{ext} = 2.2\mu F$; see Figure 2			400	μs
$t_{f(o)}$	Output fall time	$V_{O(LDO)} = 3.0V$ to $1.8V$; SEL = LOW to HIGH; see Figure 1			1	ms
$t_{r(o)}$	Output rise time	$V_{O(LDO)} = 1.8V$ to $3.0V$; SEL = HIGH to LOW; see Figure 5			100	μs

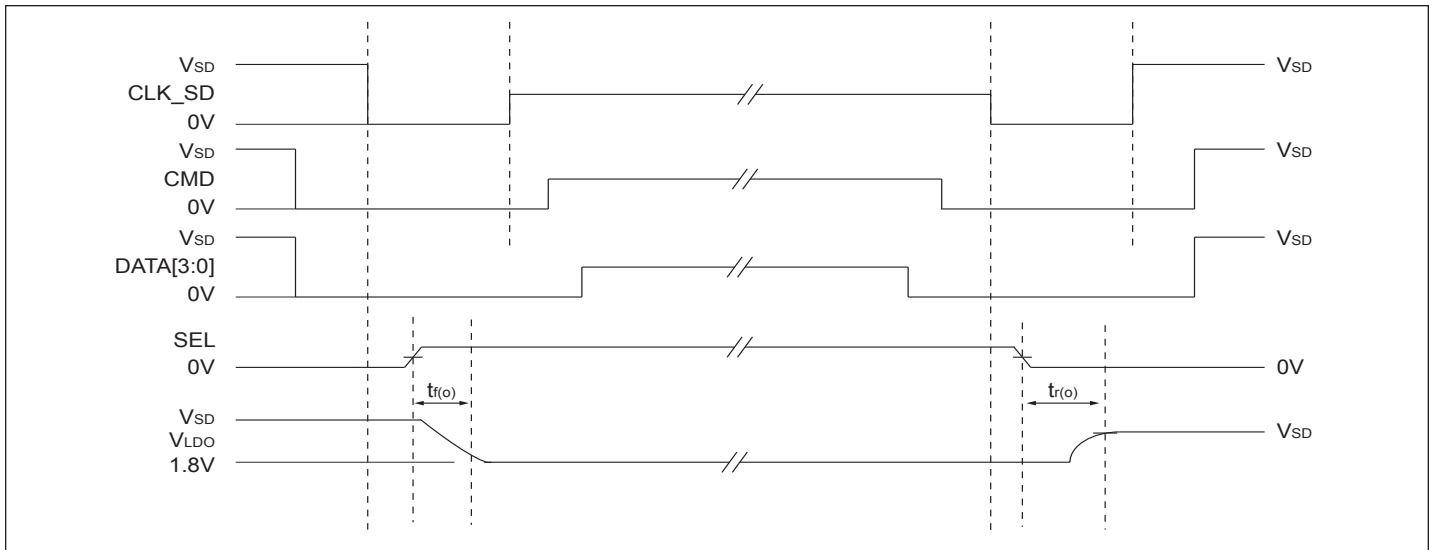


Figure 1. Regulator Mode Change Timing

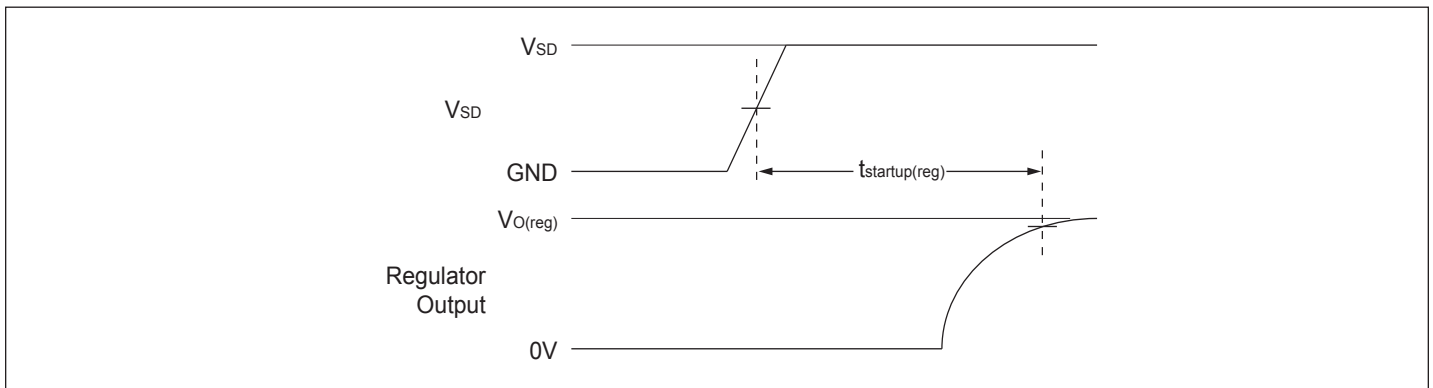


Figure 2. Regulator Start-up Time

Level Translator Dynamic Characteristics

At recommended operating conditions; $V_{CCA} = 1.2V$; $T_{amb} = 25^{\circ}C$; unless otherwise specified.

Symbol	Parameter	Conditions	Min.	Typ.	Max.	Units
Host Side Transition Times						
t_r	Rise time	SEL = HIGH (1.8V card interface); $V_{CCA} = 1.8V$	(1)	0.4	1.0	ns
t_f	Fall time		(1)	0.4	1.0	ns
t_r	Rise time	SEL = HIGH (1.8V card interface); $V_{CCA} = 1.2V$	(1)	0.4	1.0	ns
t_f	Fall time		(1)	0.4	1.0	ns
Card Side Transition Times						
t_r	Rise time	SEL = HIGH (1.8V card interface); $-40^{\circ}C \leq T_{amb} \leq +85^{\circ}C$	0.4 ⁽²⁾	0.88	1.32	ns
t_f	Fall time		0.4 ⁽²⁾	0.88	1.32	ns
Card Input Transition Times						
t_r	Rise time	SEL = HIGH (1.8 V card interface); $-40^{\circ}C \leq T_{amb} \leq +85^{\circ}C$	0.2 ⁽³⁾	0.5	0.96	ns
t_f	Fall time		0.2 ⁽³⁾	0.45	0.96	ns
Host to Card Propagation Delay – DATxA to DATxB, CMDA to CMDB, CLKA to CLKB						
t_{pd}	Propagation delay	SEL = HIGH (1.8V card interface); $V_{CCA} = 1.2V$		3.0	5.5	ns
Host to Card Propagation Delay – CLKA to CLK_FB						
t_{pd}	Propagation delay	SEL = HIGH (1.8V card interface); $V_{CCA} = 1.2V$		5.5	10	ns
Card to Host Propagation Delay – DATxB to DATxA, CMDB to CMDA						
t_{pd}	Propagation delay	SEL = HIGH (1.8V card interface); $V_{CCA} = 1.2V$		2.5	4.5	ns

Note:

1. Transition between $V_{OL} = 0.35 * V_{CCA}$ and $V_{OH} = 0.65 * V_{CCA}$
2. Transition between $V_{OL} = 0.45V$ and $V_{OH} = 1.4V$
3. Guaranteed by design; transition between $V_{IL} = 0.58V$ and $V_{IH} = 1.27V$ with $C_{trace} = 3.5 pF$ and $C_{card+CRADLE} = 12pF$, trace length = 11mm

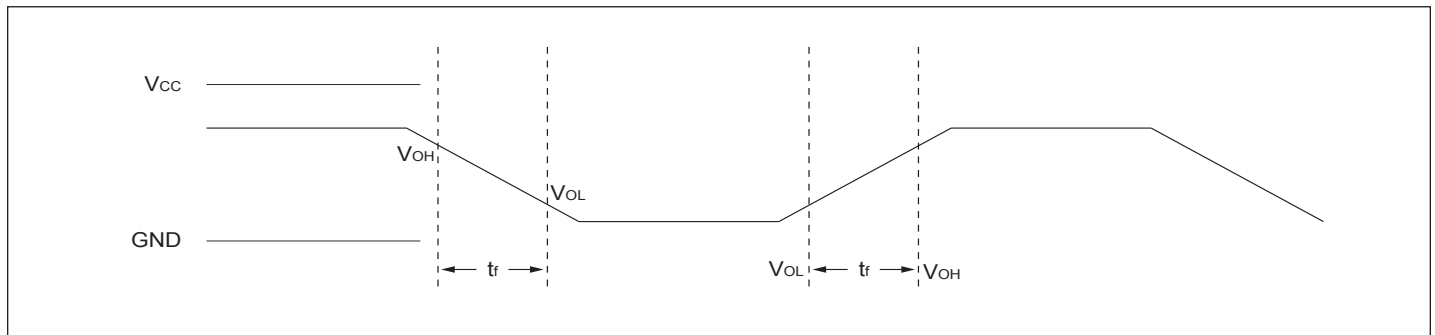


Figure 3. Output Rise and Fall Times

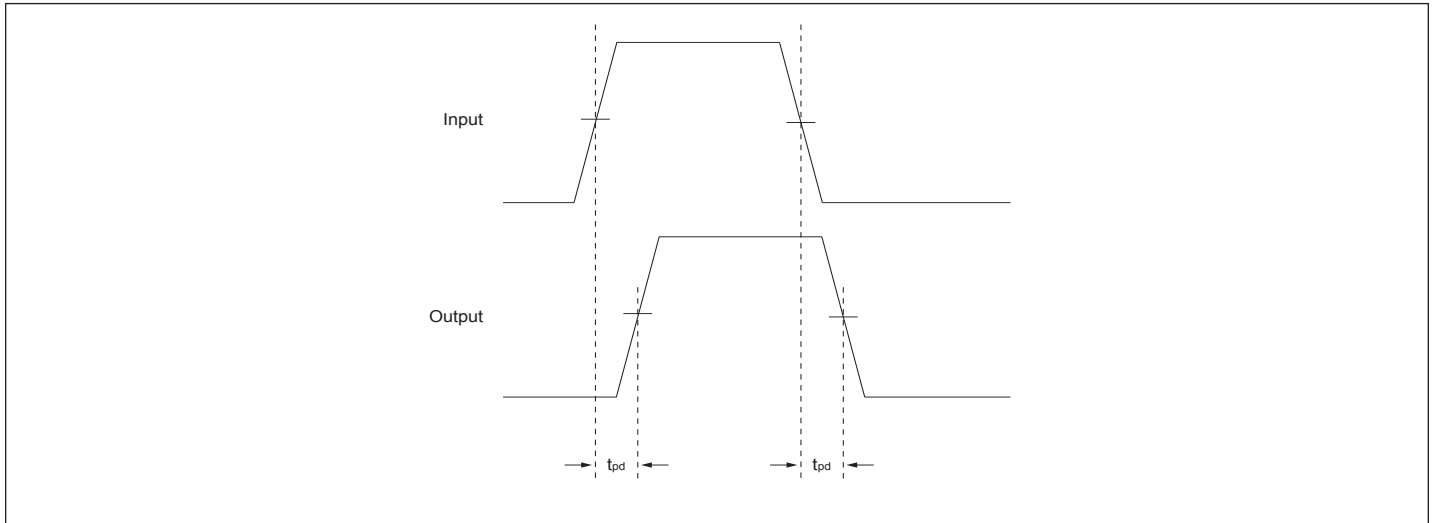


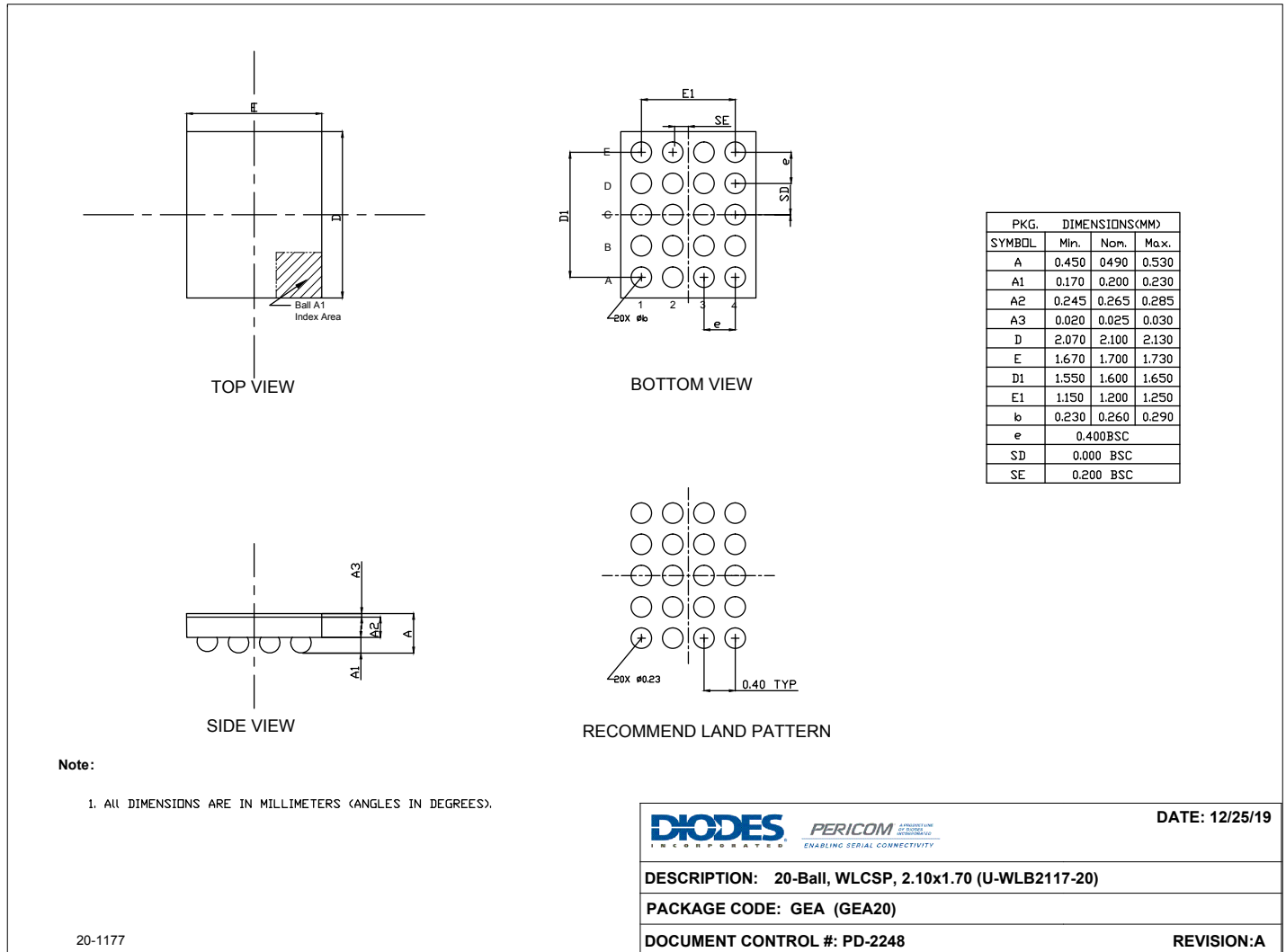
Figure 4. Output Delay Timing

Part Marking

Top mark not available at this time. To obtain advance information regarding the top mark, please contact your local sales representative.

PI4ULS3V4857

Package Mechanical: 20-WLCSP



For latest package information:

See <http://www.diodes.com/design/support/packaging/pericom-packaging/packaging-mechanicals-and-thermal-characteristics/>.

Ordering Information

Ordering Number	Package Code	Package Description
PI4ULS3V4857GEAEX	GEA	20-Ball, 2.10x1.70 (WLCSP) (U-WLB2117-20)

Notes:

1. No purposely added lead. Fully EU Directive 2002/95/EC (RoHS), 2011/65/EU (RoHS 2) & 2015/863/EU (RoHS 3) compliant.
2. See <https://www.diodes.com/quality/lead-free/> for more information about Diodes Incorporated's definitions of Halogen- and Antimony-free, "Green" and Lead-free.
3. Halogen- and Antimony-free "Green" products are defined as those which contain <900ppm bromine, <900ppm chlorine (<1500ppm total Br + Cl) and <1000ppm antimony compounds.
4. E = Pb-free and Green
5. X suffix = Tape/Reel

IMPORTANT NOTICE

DIODES INCORPORATED MAKES NO WARRANTY OF ANY KIND, EXPRESS OR IMPLIED, WITH REGARDS TO THIS DOCUMENT, INCLUDING, BUT NOT LIMITED TO, THE IMPLIED WARRANTIES OF MERCHANTABILITY AND FITNESS FOR A PARTICULAR PURPOSE (AND THEIR EQUIVALENTS UNDER THE LAWS OF ANY JURISDICTION).

Diodes Incorporated and its subsidiaries reserve the right to make modifications, enhancements, improvements, corrections or other changes without further notice to this document and any product described herein. Diodes Incorporated does not assume any liability arising out of the application or use of this document or any product described herein; neither does Diodes Incorporated convey any license under its patent or trademark rights, nor the rights of others. Any Customer or user of this document or products described herein in such applications shall assume all risks of such use and will agree to hold Diodes Incorporated and all the companies whose products are represented on Diodes Incorporated website, harmless against all damages.

Diodes Incorporated does not warrant or accept any liability whatsoever in respect of any products purchased through unauthorized sales channel.

Should Customers purchase or use Diodes Incorporated products for any unintended or unauthorized application, Customers shall indemnify and hold Diodes Incorporated and its representatives harmless against all claims, damages, expenses, and attorney fees arising out of, directly or indirectly, any claim of personal injury or death associated with such unintended or unauthorized application.

Products described herein may be covered by one or more United States, international or foreign patents pending. Product names and markings noted herein may also be covered by one or more United States, international or foreign trademarks.

This document is written in English but may be translated into multiple languages for reference. Only the English version of this document is the final and definitive format released by Diodes Incorporated.

LIFE SUPPORT

Diodes Incorporated products are specifically not authorized for use as critical components in life support devices or systems without the express written approval of the Chief Executive Officer of Diodes Incorporated. As used herein:

A. Life support devices or systems are devices or systems which:

1. are intended to implant into the body, or
 2. support or sustain life and whose failure to perform when properly used in accordance with instructions for use provided in the labeling can be reasonably expected to result in significant injury to the user.
- B. A critical component is any component in a life support device or system whose failure to perform can be reasonably expected to cause the failure of the life support device or to affect its safety or effectiveness.

Customers represent that they have all necessary expertise in the safety and regulatory ramifications of their life support devices or systems, and acknowledge and agree that they are solely responsible for all legal, regulatory and safety-related requirements concerning their products and any use of Diodes Incorporated products in such safety-critical, life support devices or systems, notwithstanding any devices- or systems-related information or support that may be provided by Diodes Incorporated. Further, Customers must fully indemnify Diodes Incorporated and its representatives against any damages arising out of the use of Diodes Incorporated products in such safety-critical, life support devices or systems.

Copyright © 2020, Diodes Incorporated
www.diodes.com

Looking for pricing, stock, or lifecycle information?

Click below to explore more details on WIN SOURCE:

 [View PI4ULS3V4857GEAEX on WIN SOURCE](#)

 [Diodes Incorporated](#) Information

Optimize Your Supply Chain with WIN SOURCE Solutions

-  Global Sourcing Solution
-  Obsolete Management
-  Cost Control Management
-  Shortage Management
-  Alternative Solution
-  Excess Inventory Management