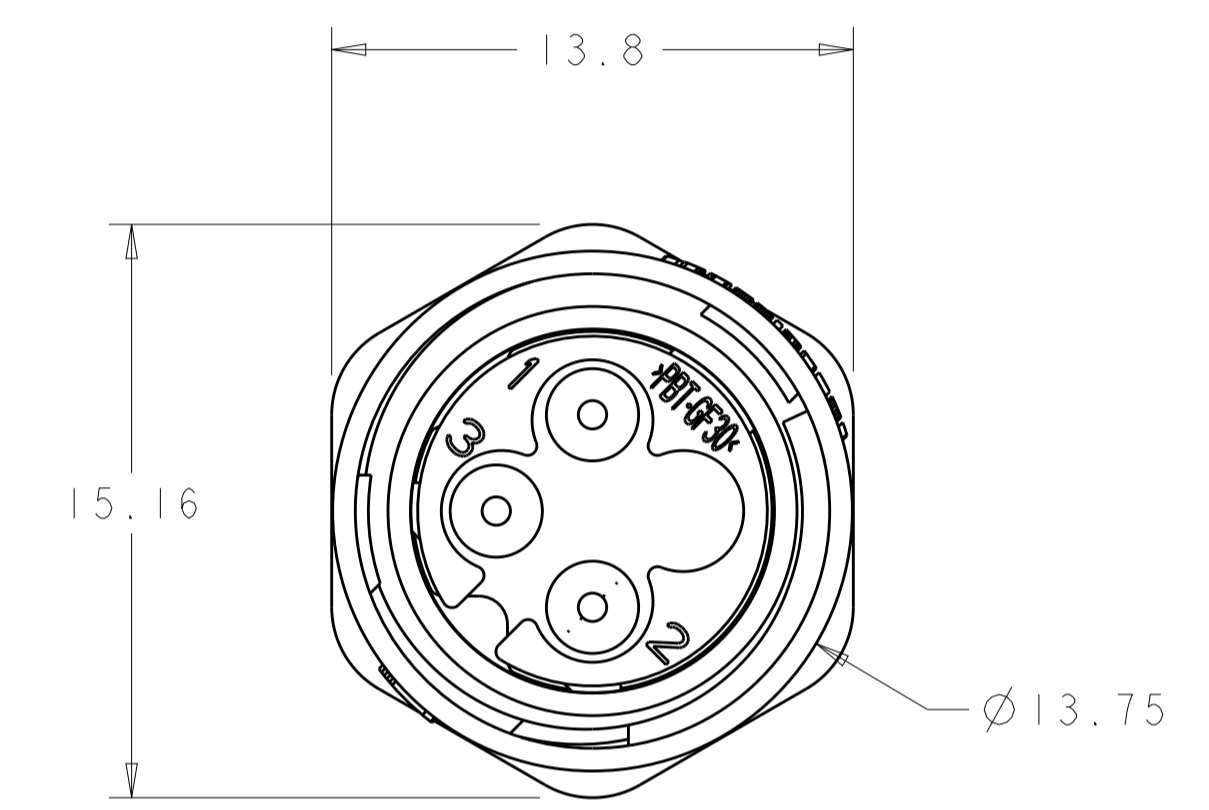
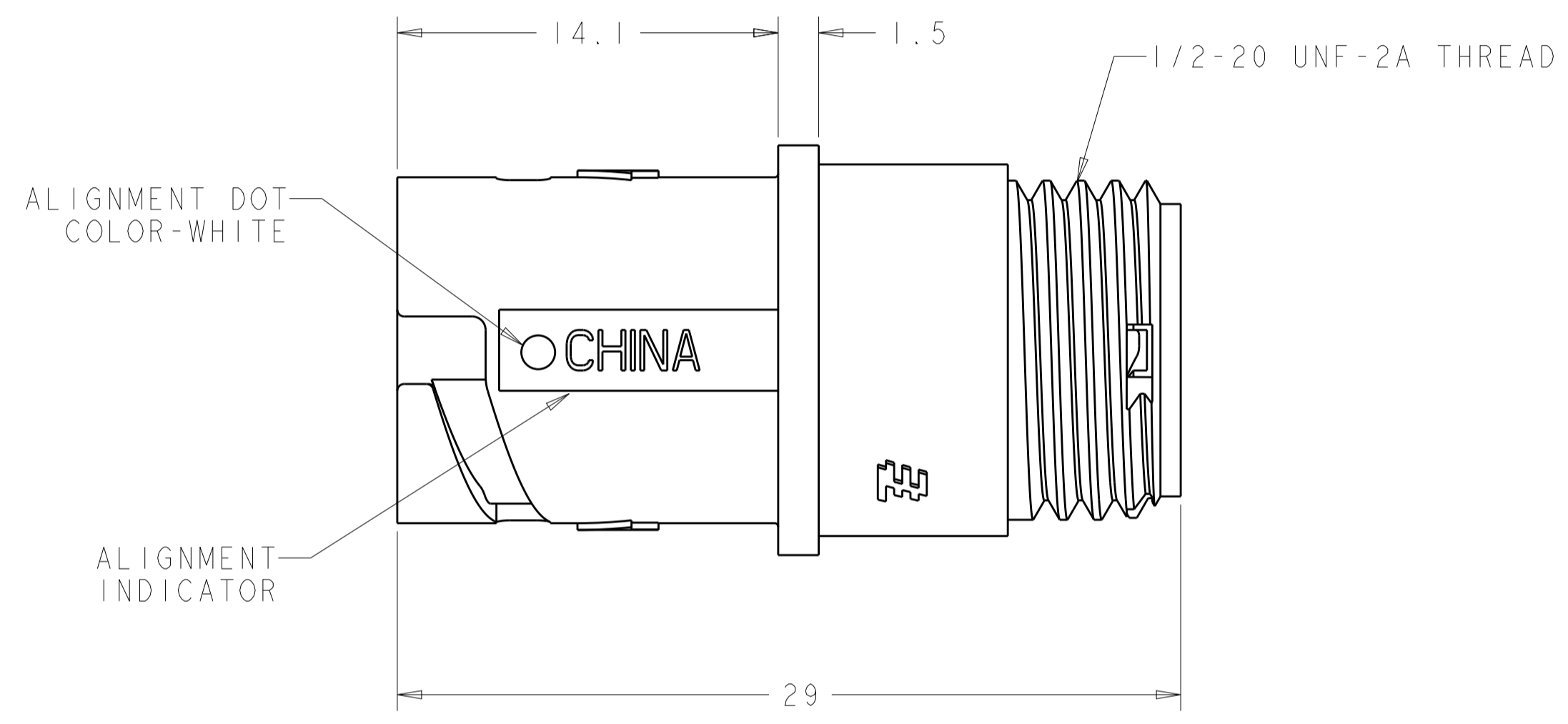
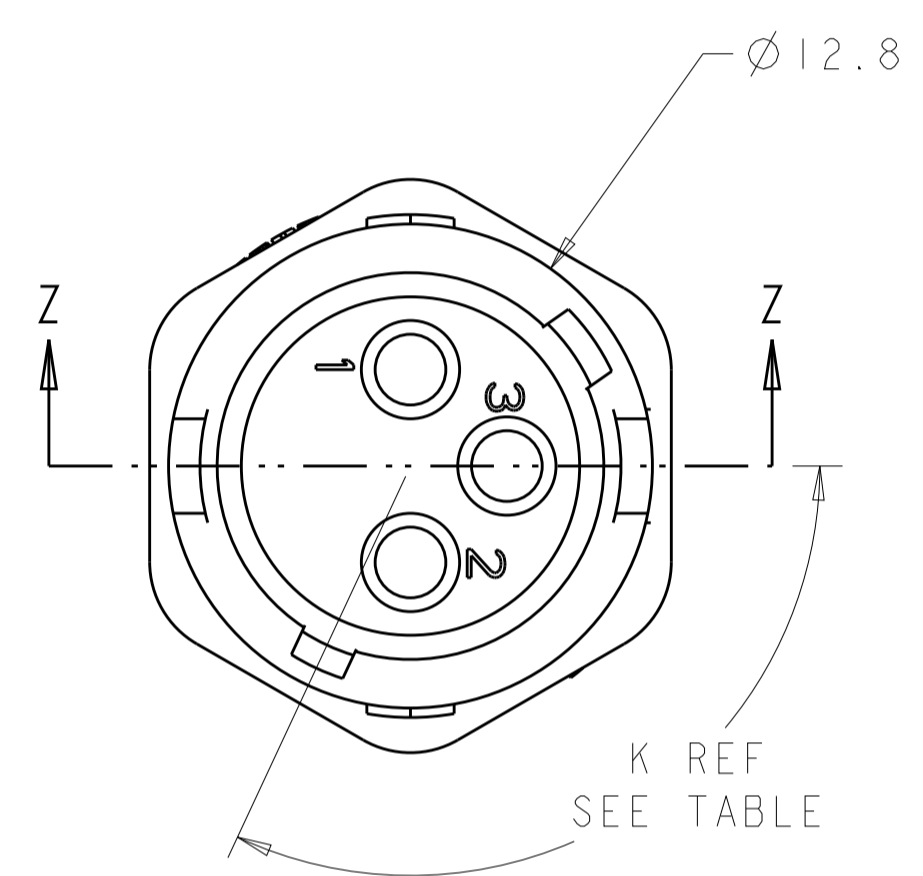
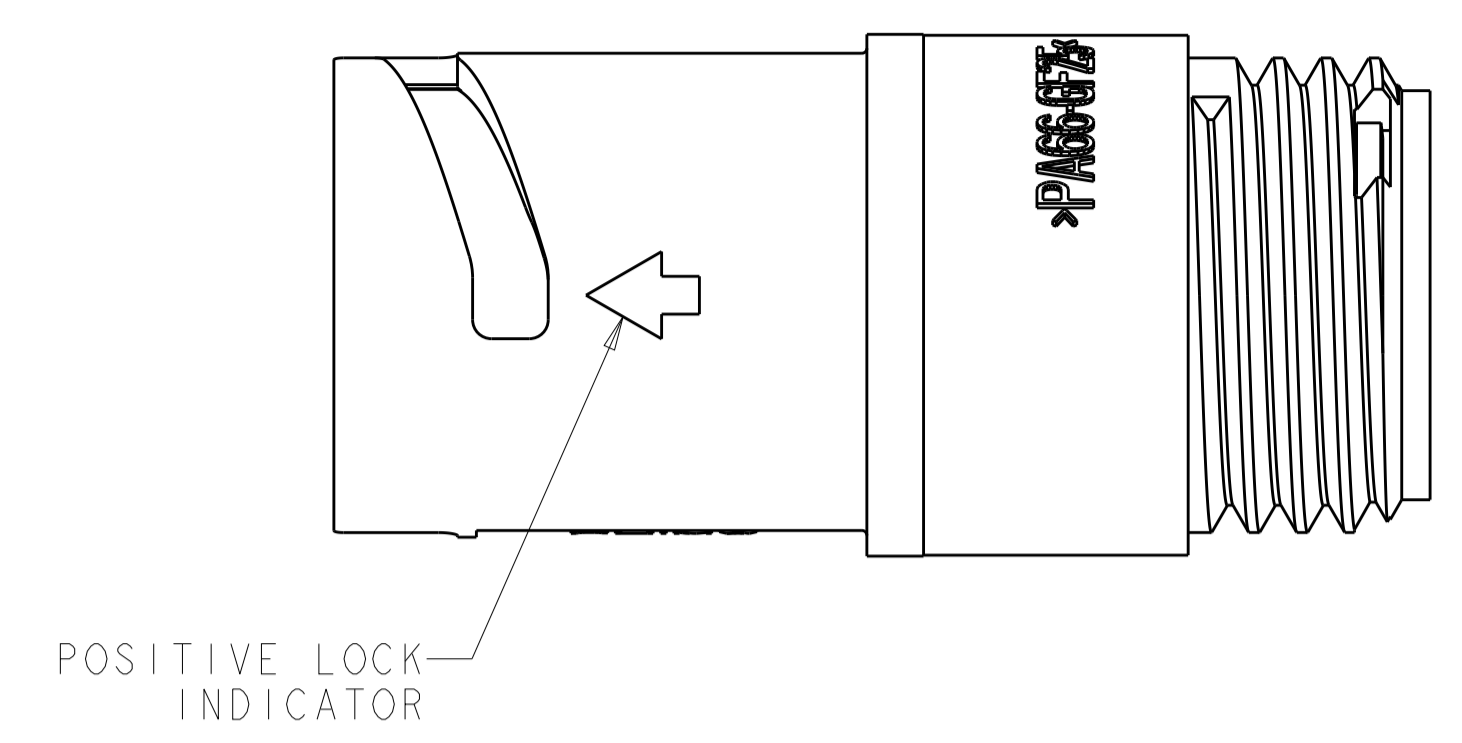
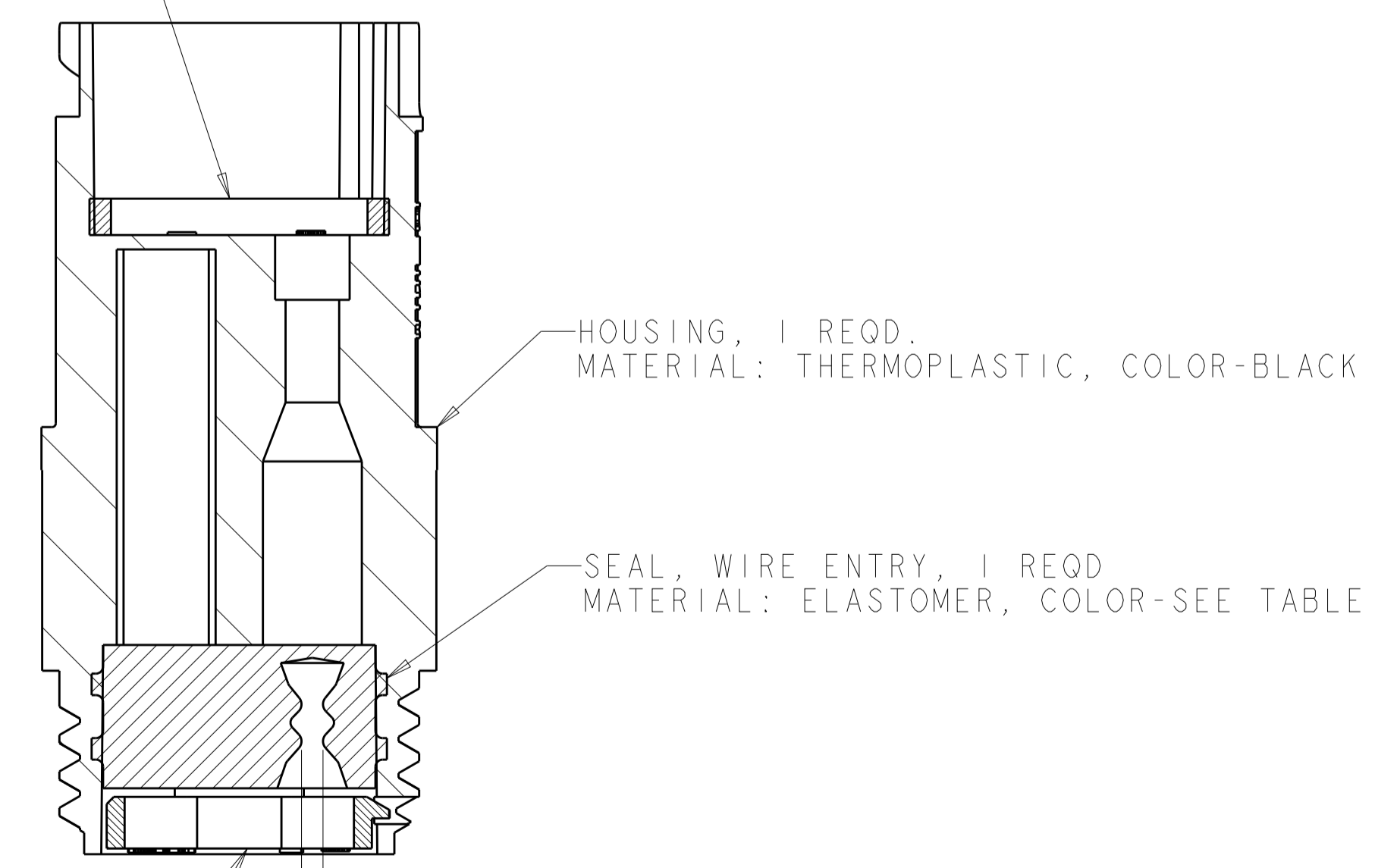


| REVISIONS | | | | |
|-----------|-----|---------------------------|-----------|-------|
| P. | LTN | DESCRIPTION | DATE | APVD |
| B2 | | REVISED PER ECO-15-010004 | 11JUL2015 | NK MZ |
| C | | REVISED PER ECO-16-018352 | 24MAR2017 | RS MZ |



SEAL, PERIPHERAL, 1 REQD.
MATERIAL: ELASTOMER, COLOR-GRAY



RETAINER, SEAL, 1 REQD.
MATERIAL: THERMOPLASTIC, COLOR-BLACK

Ø X REF SEE TABLE

SECTION Z-Z

| | | | | |
|----------|------------------------|---------|-------|-------------|
| OBSOLETE | YELLOW | Ø 0.75 | 130° | 1445510-04 |
| | NATURAL | Ø 1.5 | 115° | 1445510-03 |
| OBSOLETE | NATURAL | Ø 1.5 | 130° | 1445510-02 |
| | YELLOW | Ø 0.75 | 115° | 1445510-01 |
| | SEAL, WIRE ENTRY COLOR | Ø X REF | K REF | PART NUMBER |

| | | | |
|--|--|---------------------------|--|
| THIS DRAWING IS A CONTROLLED DOCUMENT. | | OWN: S. WIEST 01MAY2001 | STE TE Connectivity |
| DIMENSIONS: mm | | CHK: G. DOUITY 01MAY2001 | |
| TOLERANCES UNLESS OTHERWISE SPECIFIED: | | APVD: H. WAKEEM 12JUN2003 | NAME: ASSEMBLY, RECEPTACLE, SIZE 8, 3 POSITION, FREE HANGING, SEALED, MINI CPC |
| 0 PLC ±0.5 | | PRODUCT SPEC | SIZE: A100779 C=1445510 |
| 1 PLC ±0.13 | | APPLICATION SPEC | RESTRICTED TO |
| 2 PLC ±0.13 | | WEIGHT | SCALE: 5:1 SHEET 1 OF 1 REV C |
| 3 PLC ±0.13 | | CUSTOMER DRAWING | |
| 4 PLC ±0.0001 | | | |
| ANGLES ±0.0001 | | | |
| FINISH | | | |
| MATERIAL: SEE CALLOUT | | | |
| FINISH: SEE CALLOUT | | | |

Looking for pricing, stock, or lifecycle information?

Click below to explore more details on WIN SOURCE:

 [View 1445510-3 on WIN SOURCE](#)

 [TE Connectivity](#) Information

Optimize Your Supply Chain with WIN SOURCE Solutions

-  Global Sourcing Solution
-  Obsolete Management
-  Cost Control Management
-  Shortage Management
-  Alternative Solution
-  Excess Inventory Management