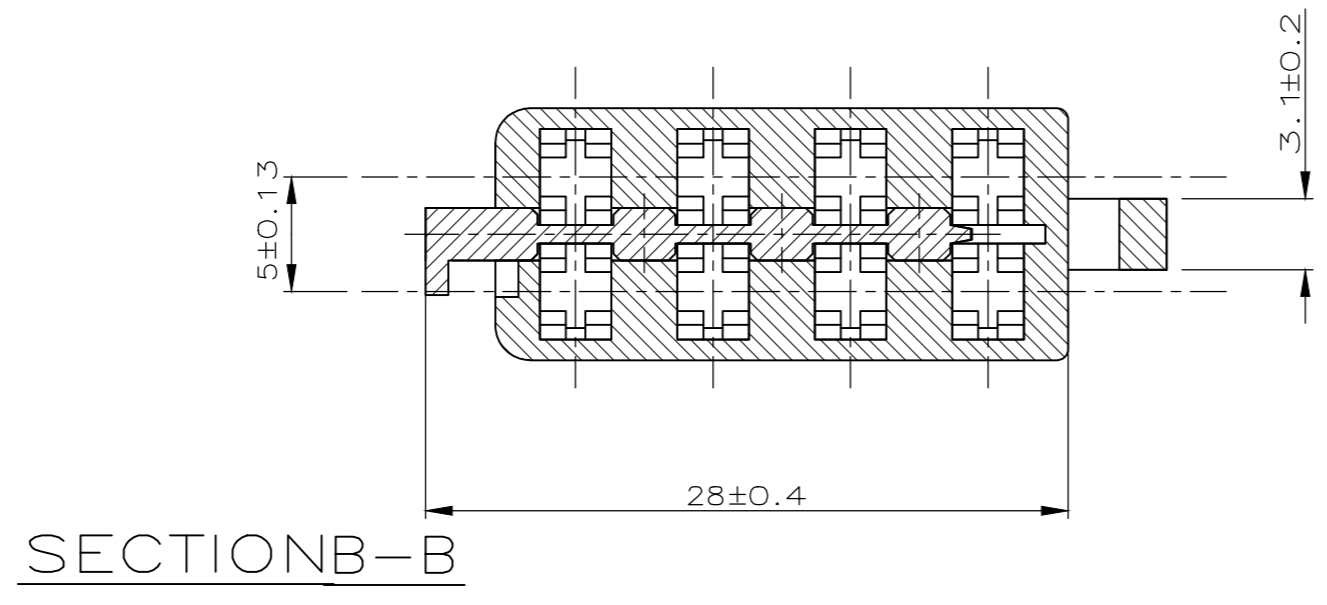
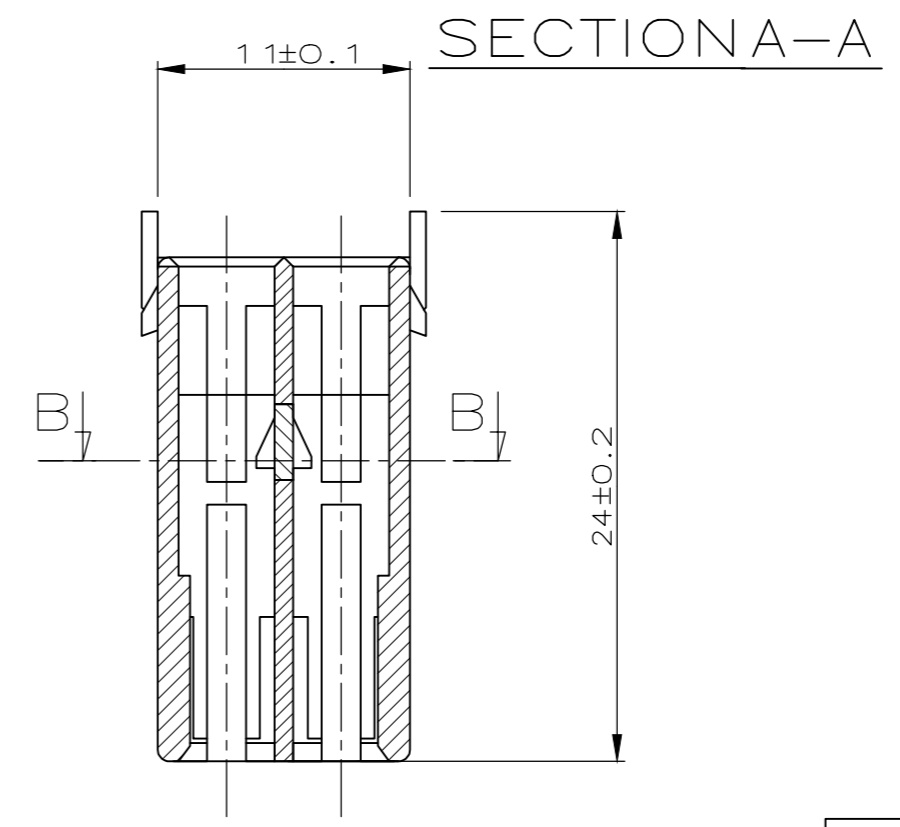
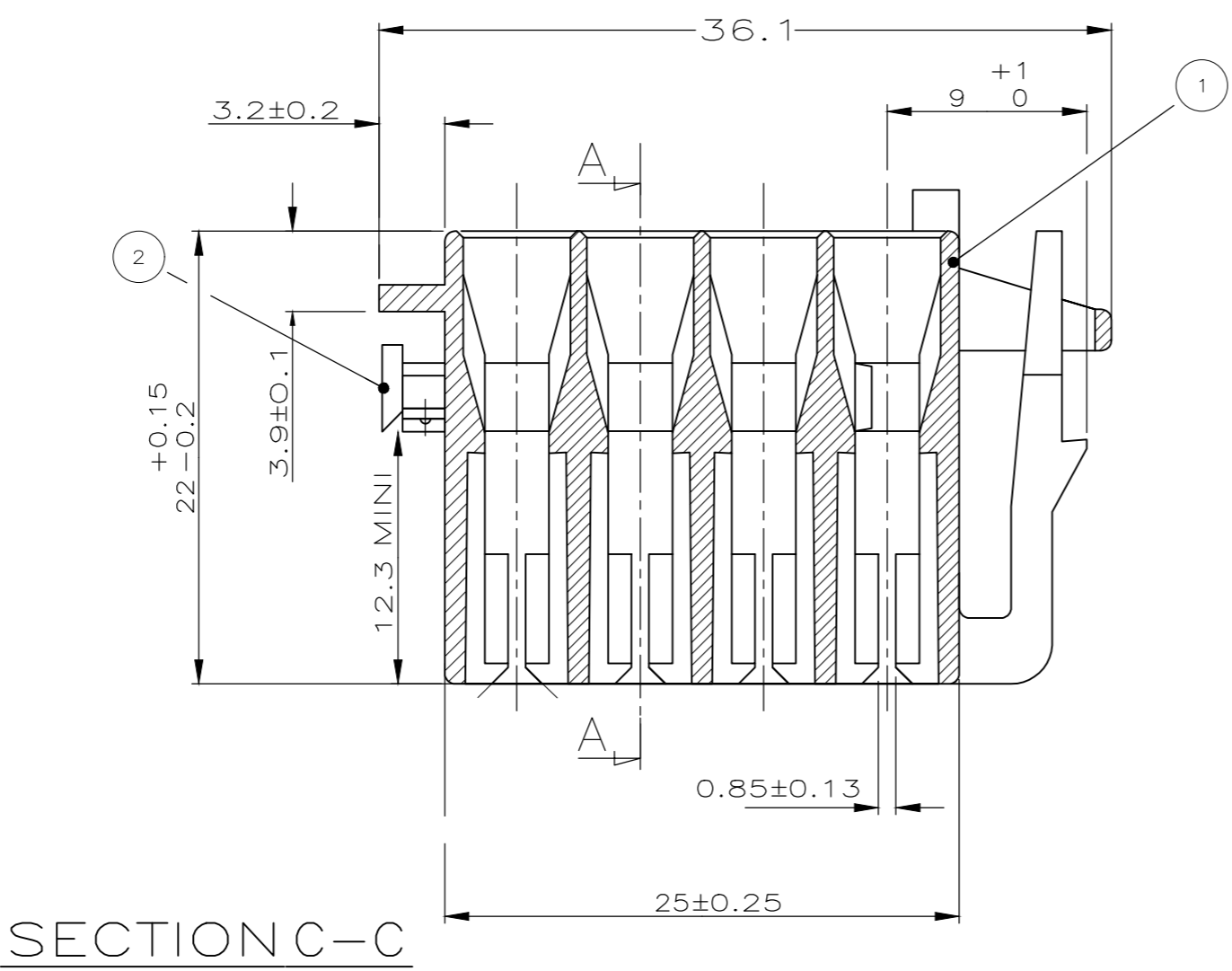
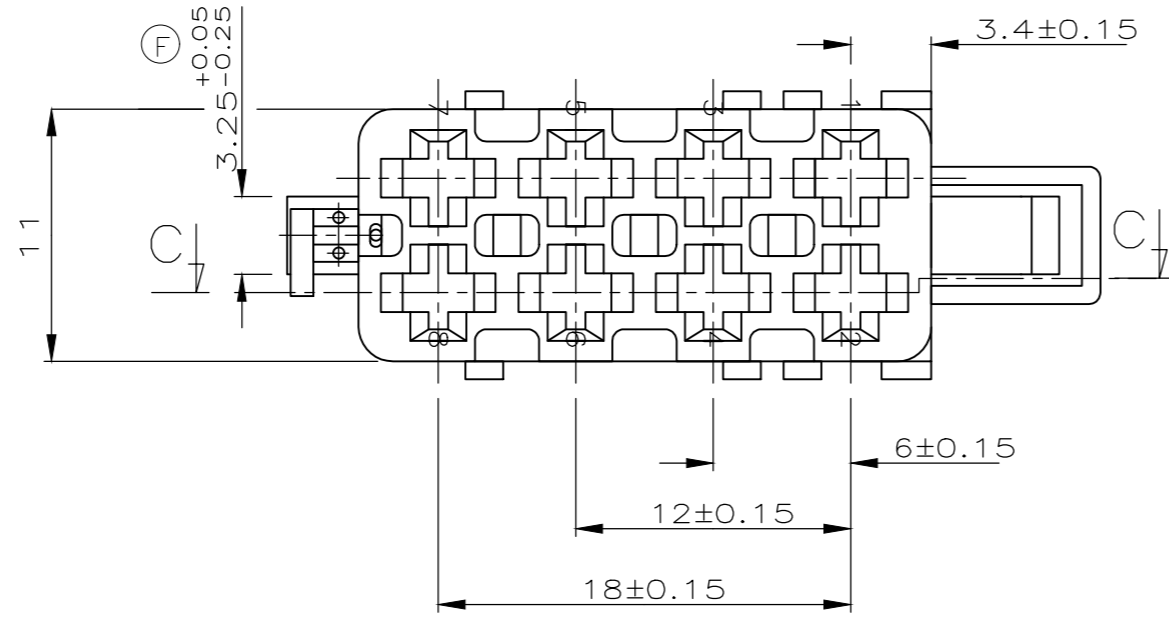
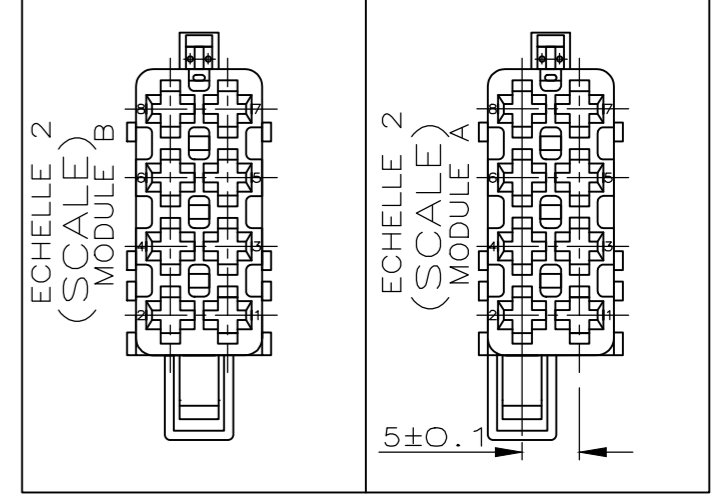


THIS DRAWING IS UNPUBLISHED.
 DIFFUSION RESEINTE AMP
 (C) COPYRIGHT 19 BY AMP INCORPORATED. ALL RIGHTS RESERVED.
 TOUS DROITS RESERVES.

LOC F		DIST 7		REVISIONS			
P	LTR REV	DESCRIPTION MODIFICATIONS	DATE	DWN DESS.	APVD APP.		
A		AJOUT 1-144172-X	14-OCT-97	RB	-		
B		TRADUCTION ANGLAISE AJOUTEE	04-FEB-98	RP	-		
C		VOIR FEUILLE 2	14-MAR-00	RP	JPP		
E		REVISED PER ECR-05-008448	04-AUG-05	RP	JPP		
F		COTE 3.4 DEVIENT 3.25	03APR2018	CS	XR		



CODE	0-144172-2	0-144172-1
	0-144172-4	0-144172-3
	0-144172-6	0-144172-5
	0-144172-8	0-144172-7



0-144172-X	FEUILLE 1 (SHEET)
1-144172-X	FEUILLE 2 (SHEET)

0-144172-X COMME DESSINE (AS DRAWN)


POUR STANDARD ISO
 FOR ISO STANDARD

SPECIFICATION PARTICULIERE AMP 108-15063
 UTILISABLE AVEC COUVERCLE: 144170
 (PARTICULAR AMP SPECIFICATION 108-15063)
 (USABLE WITH COVER: 144170)

THIS DRAWING IS A CONTROLLED DOCUMENT. CE PLAN EST UN DOCUMENT CONTROLE.		DWN/DESSINE 24OCT1996 Olivier PAMART	STE TE Connectivity
DIMENSIONS: mm		CHK/VERIFIE 18FEB1998 JP.PICAUD	
TOLERANCES UNLESS OTHERWISE SPECIFIED: TOLERANCES NON SPECIFIEES (SUIV NB DE DECIMALES):		APVD/APPROUVE 18FEB1998 JJ.REV11	NAME TITRE
0=PLC/DEC± 1=PLC/DEC±0.2 2=PLC/DEC± 3=PLC/DEC± 4=PLC/DEC±		PRODUCT SPEC. 108-15063	MODULE 8 VOIES AUTO-RADIO (MODULE 8 POS. RADIO CAP)
FINISH: ANGLE ±5° FINITION -		APPLICATION SPEC. APPLICATION	CAGE CODE DRAWING NO 00779 C-144172
MATERIAL MATIERE PA 6-6 / GF	WEIGHT MASSE APPROX. 0.0036Kg	RESTRICTED TO	UNIQUEMENT CLIENT POUR REFERENCE
CUSTOMER DRAWING/PLAN		SCALE ECHELLE 3:1	SHEET FEUILLE 1 OF DE 2 REV F

Looking for pricing, stock, or lifecycle information?

Click below to explore more details on WIN SOURCE:

 [View 144172-1 on WIN SOURCE](#)

 [TE Connectivity](#) Information

Optimize Your Supply Chain with WIN SOURCE Solutions

-  Global Sourcing Solution
-  Obsolete Management
-  Cost Control Management
-  Shortage Management
-  Alternative Solution
-  Excess Inventory Management