

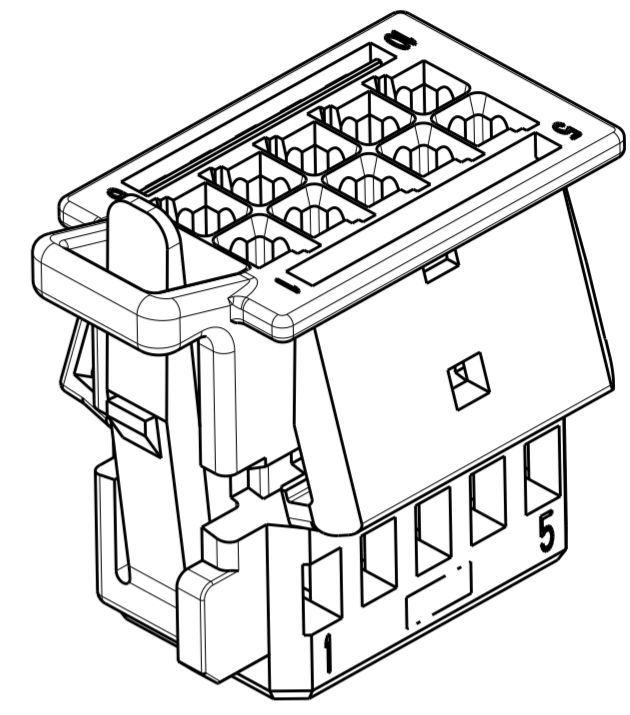
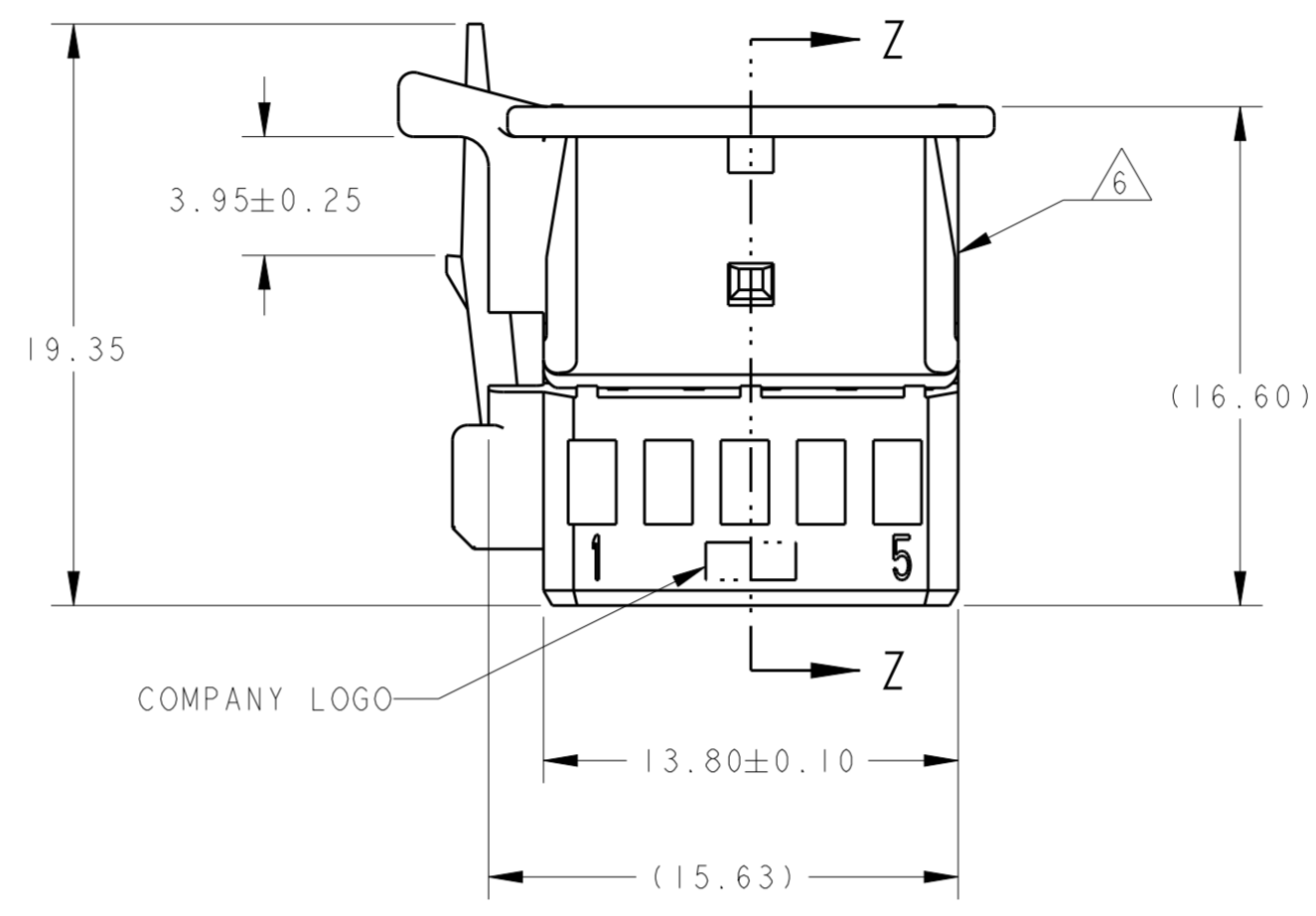
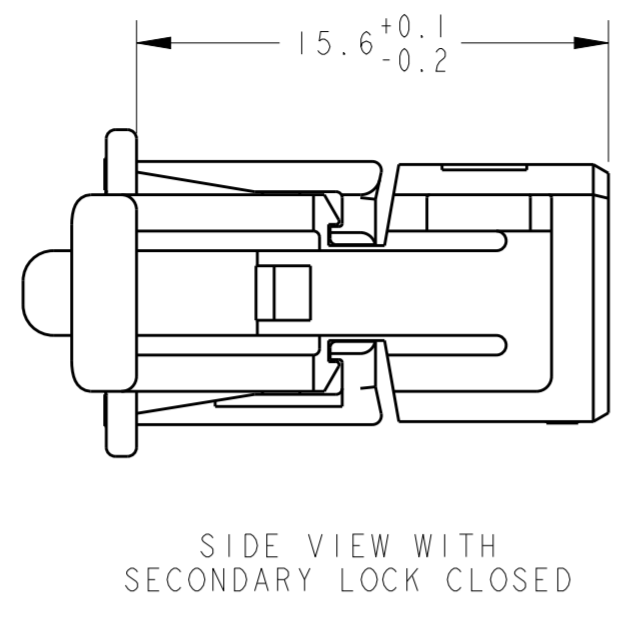
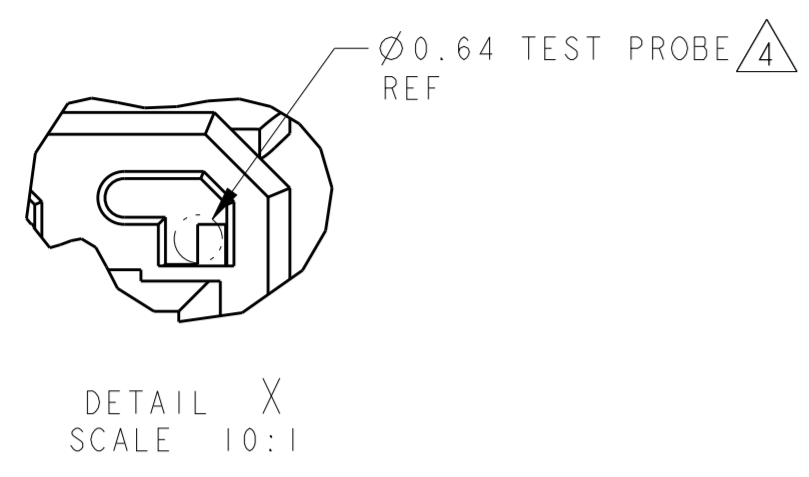


THE DATASHEET OF
1488973-2

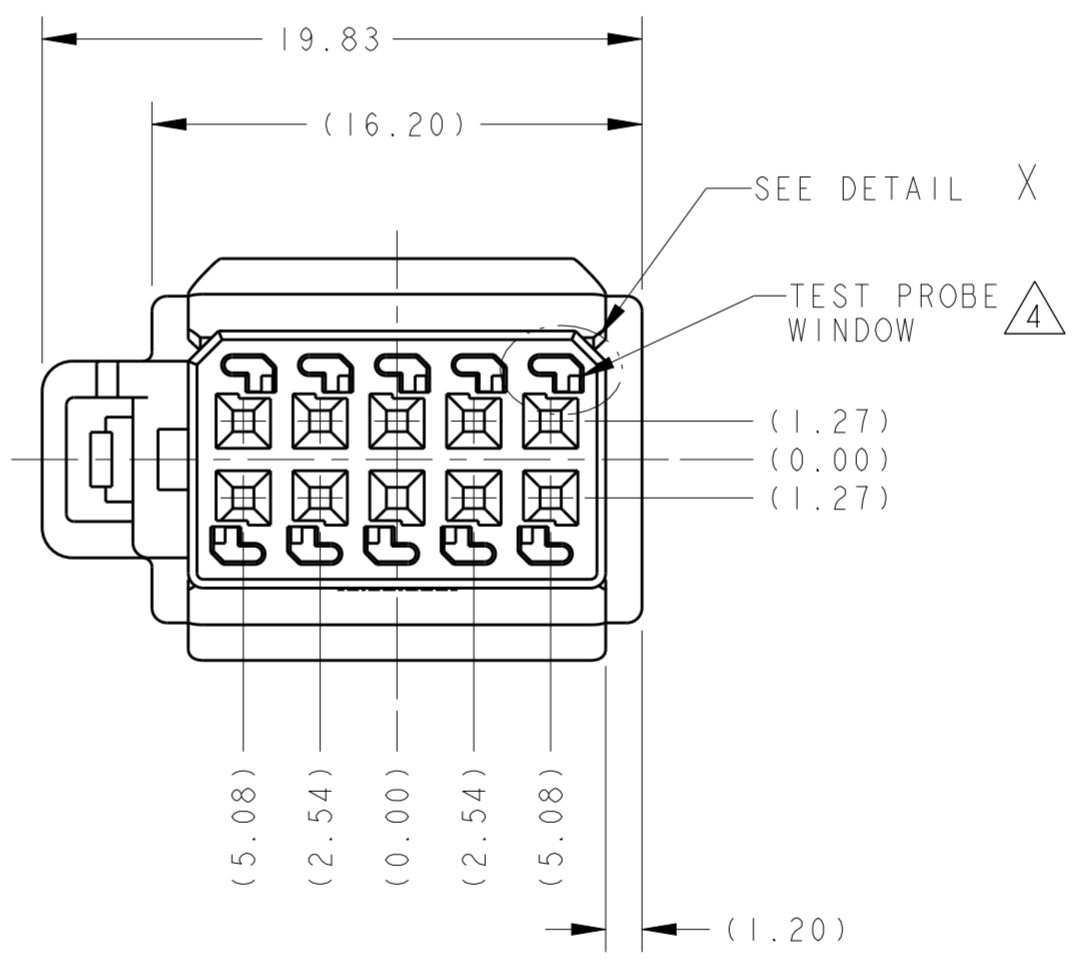
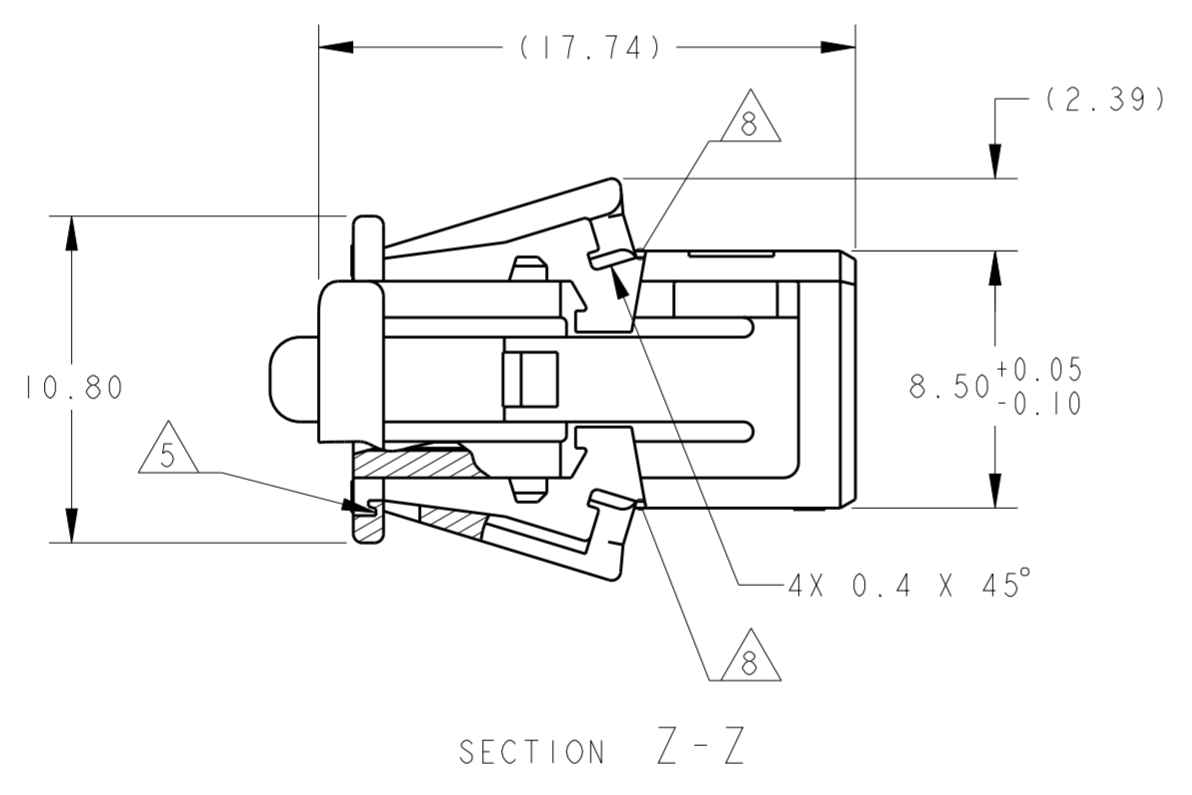


THIS DRAWING IS UNPUBLISHED. RELEASED FOR PUBLICATION 20
 © COPYRIGHT 20 BY - ALL RIGHTS RESERVED.

REVISIONS				
P	LTR	DESCRIPTION	DATE	APVD
B3		REVISED PER ECO-16-014102	28SEP2016	DD AH



APPLICABLE TERMINALS & WIRE SIZES			
DESCRIPTION	TE P/N	WIRE SIZE	WIRE SIZE (MM ²)
TERMINAL - FEMALE (Sn)	928999-1	20-22 AWG	0.22-0.5
TERMINAL - FEMALE (Au)	928999-5	20-22 AWG	0.22-0.5
TERMINAL - FEMALE (Sn)	963715-1	18 AWG	0.75
TERMINAL - FEMALE (Au)	963715-5	18 AWG	0.75



GRAY		1488973-3
BLACK		1488973-2
BLACK		1488973-1
COLOR	KEYING ARRANGEMENTS	TE PART NUMBER

- 1 MATERIAL: PBT, 15% GLASS FILLED, SEE TABLE.
- 2 1488973-1 SHOWN
- 3 REFER TO PRODUCT GROUP DRAWING 929454 FOR TERMINAL CONTACT INFORMATION. THIS PLUG WILL NOT WORK WITH TERMINALS DESIGNED FOR INDIVIDUAL WIRE SEALS.
- 4 SEE APPLICATION SPEC. 114-13143 FOR TEST PROBE LOCATION LAYOUT.
- 5 WHEN SECONDARY LOCK IS TRANSITIONED FROM THE OPEN TO THE CLOSED POSITION THE PLASTIC ATTACHING THE SECONDARY LOCK IS ALLOWED/ASSUMED TO BREAK AWAY IN THE AREA SHOWN (TYPICAL).
- 6 FOUR DIGIT DATE CODE (MMYY), LOCATED IN APPROXIMATE AREA SHOWN.
- 7 REFERENCE TE CONNECTIVITY DRAWING NUMBER 1488974 FOR MATING INTERFACE DESIGN DETAILS.
- 8 DURING SHIPPING THESE WEBS MAY BE FRACTURED, AND UP TO 1% OF PARTS MAY HAVE ONE OR BOTH SECONDARY LOCKS IN THE CLOSED POSITION. REFER TO APPLICATION SPEC 114-13143 FOR INSTRUCTION ON USING PARTS IN THIS CONDITION.

THIS DRAWING IS A CONTROLLED DOCUMENT.		DWN 22DEC2003 J. R. SHUEY	TE Connectivity	
DIMENSIONS: mm		CHK 22JUN2004 F. KINSEY		
TOLERANCES UNLESS OTHERWISE SPECIFIED:		APVD 22JUN2004 F. KINSEY	NAME	
0 PLC ±		PRODUCT SPEC	SOCKET HOUSING, 10 POSITION 2 X 5, MDS CONNECTOR	
1 PLC ±		108-18590-0	SIZE CAGE CODE DRAWING NO	
2 PLC ±0.20		APPLICATION SPEC	A200779 C-1488973	
3 PLC ±		114-13143	RESTRICTED TO	
4 PLC ±		WEIGHT 1.7 g	-	
ANGLES ±		CUSTOMER DRAWING	SCALE 4:1 SHEET 1 OF 1 REV B3	
FINISH -				

Looking for pricing, stock, or lifecycle information?

Click below to explore more details on WIN SOURCE:

 [View 1488973-2 on WIN SOURCE](#)

 [TE Connectivity](#) Information

Optimize Your Supply Chain with WIN SOURCE Solutions

-  Global Sourcing Solution
-  Obsolete Management
-  Cost Control Management
-  Shortage Management
-  Alternative Solution
-  Excess Inventory Management