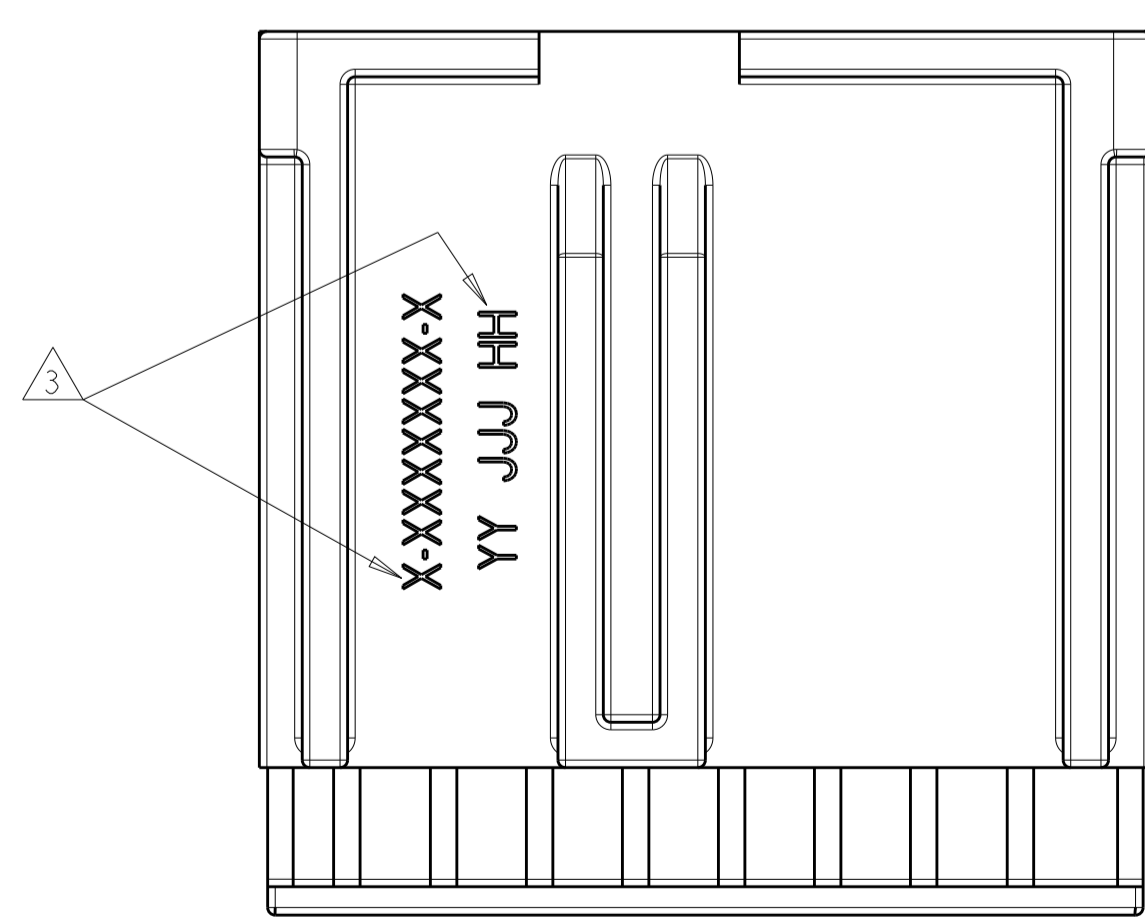
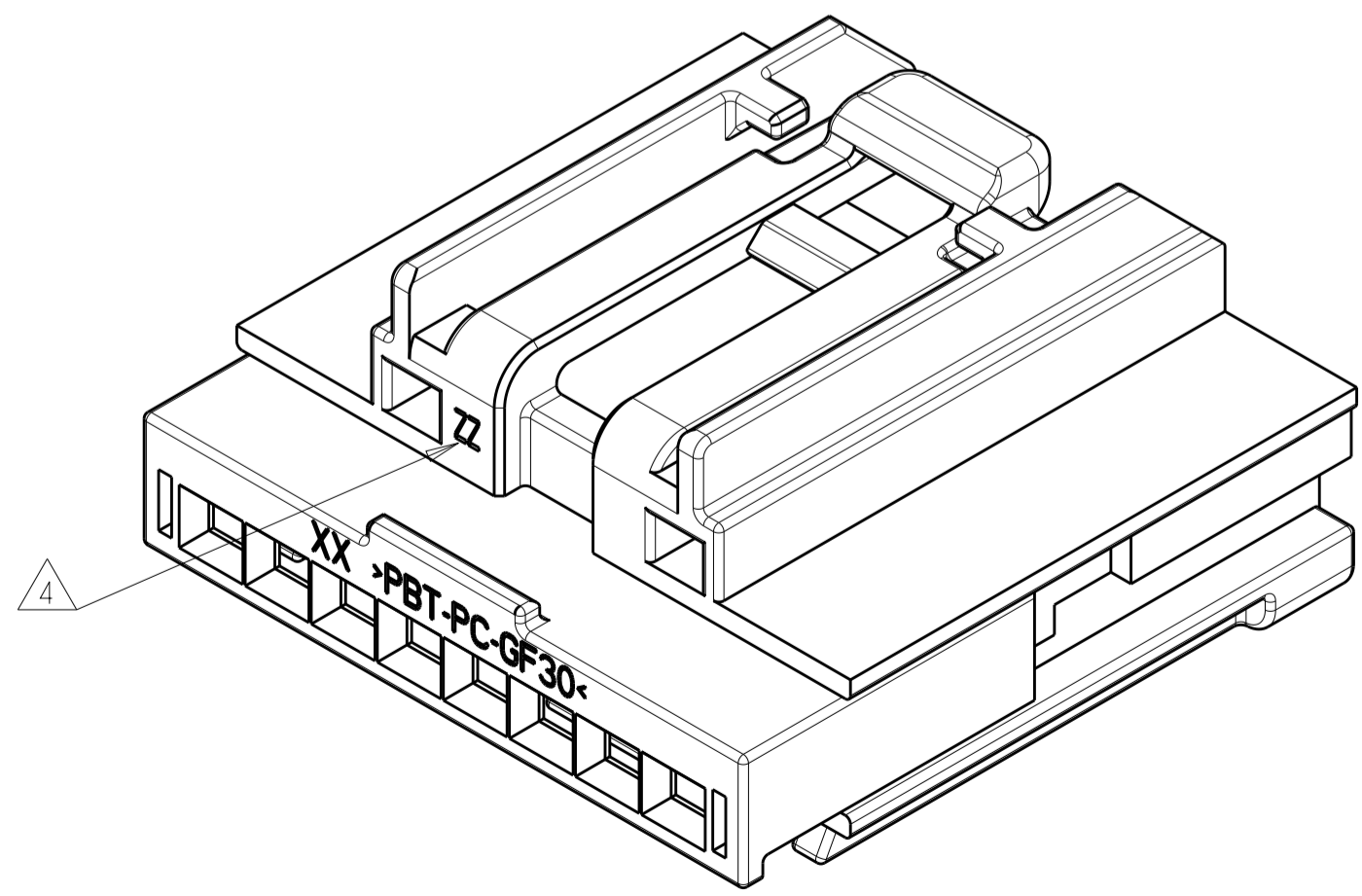
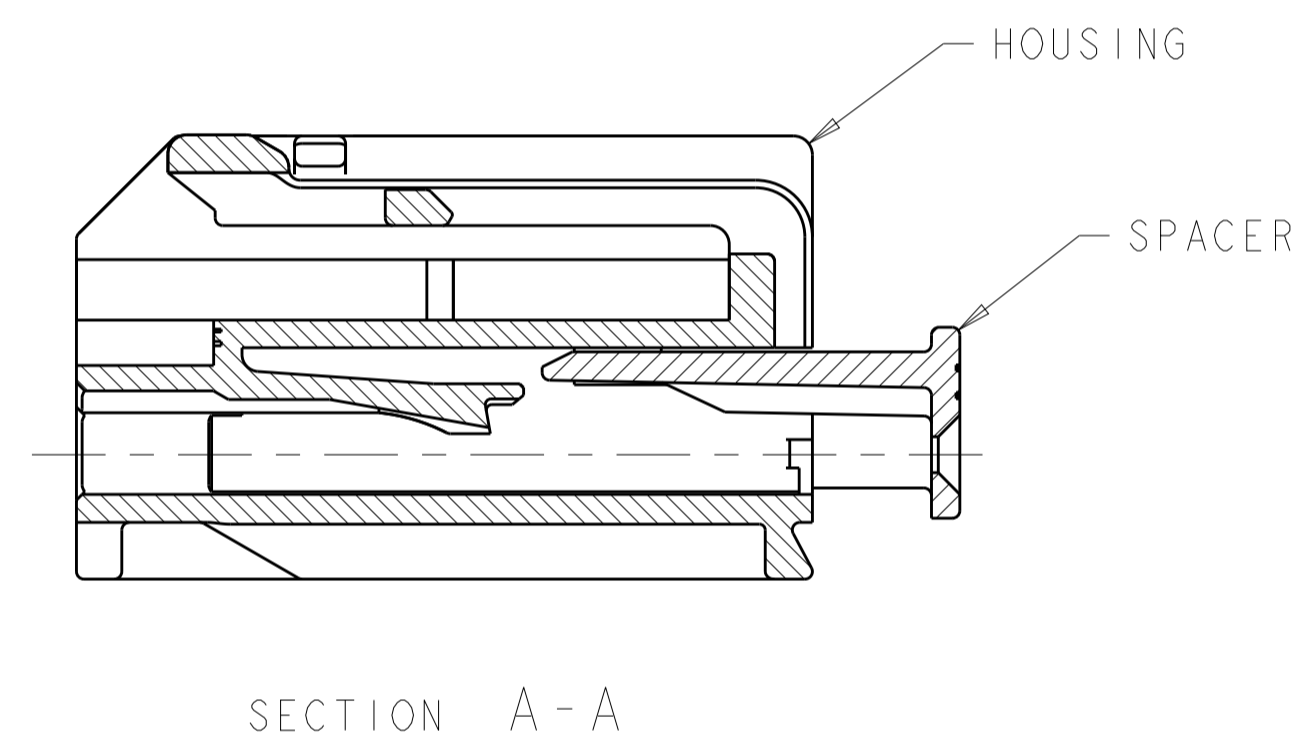
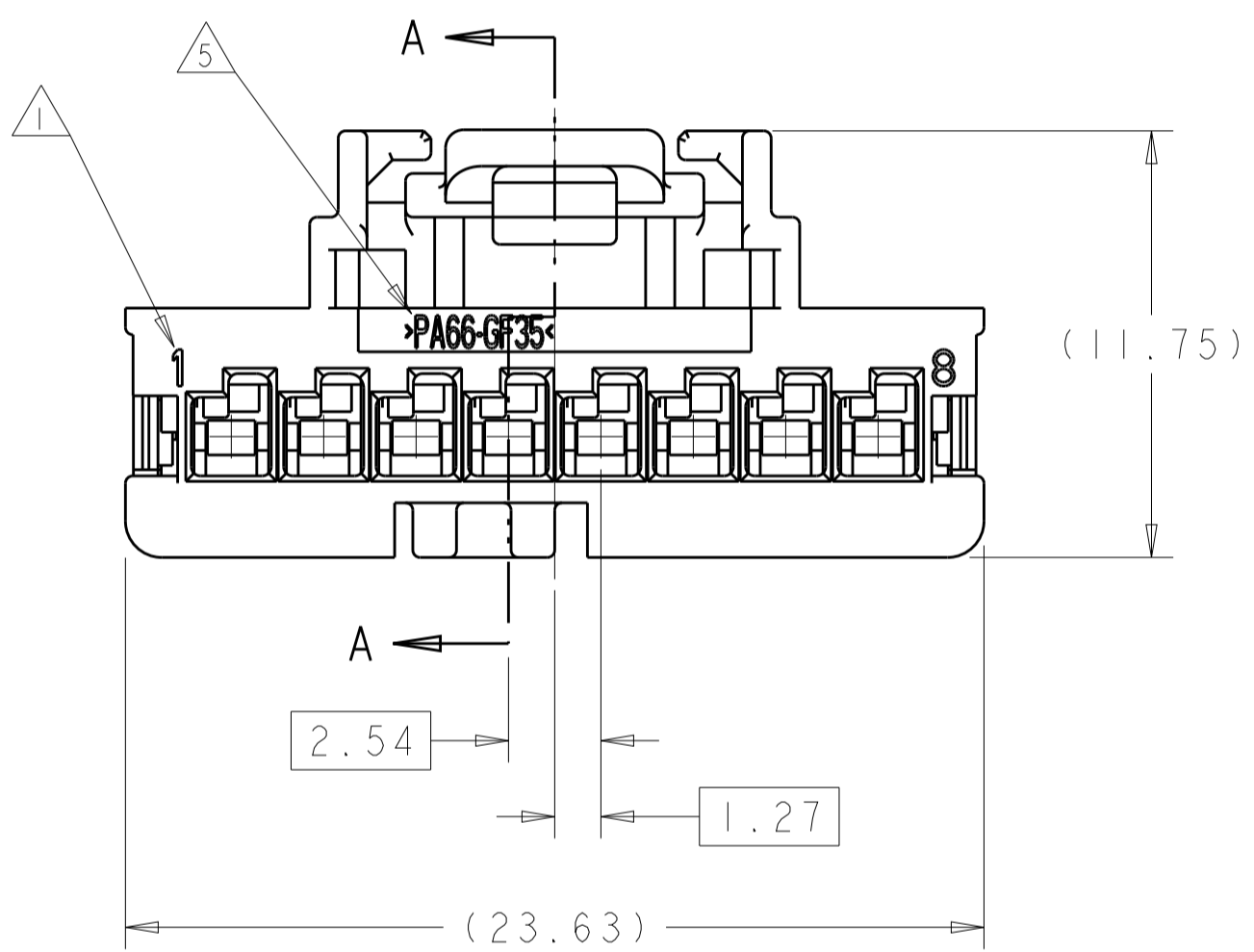
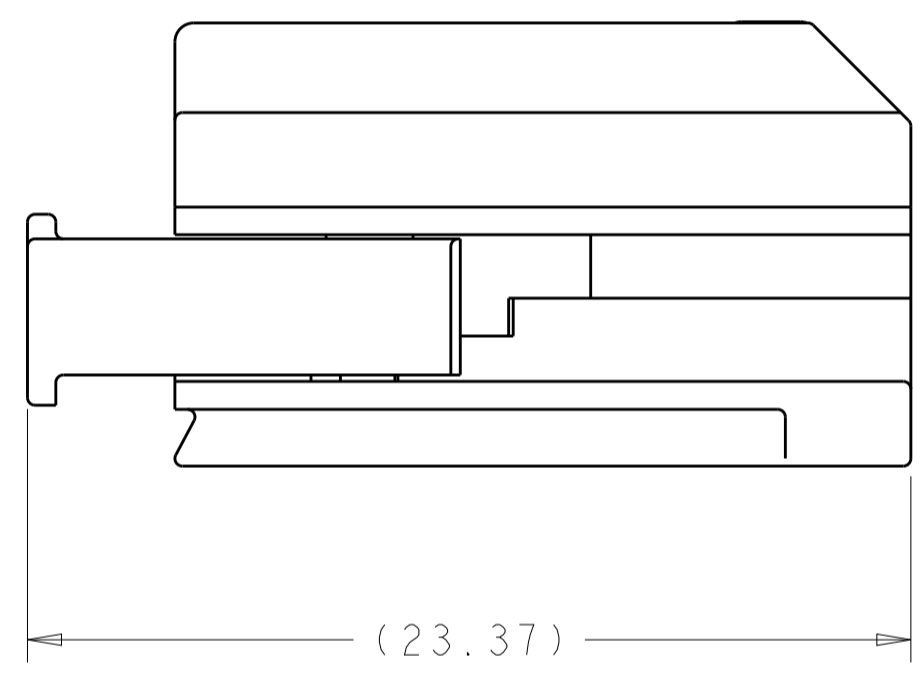
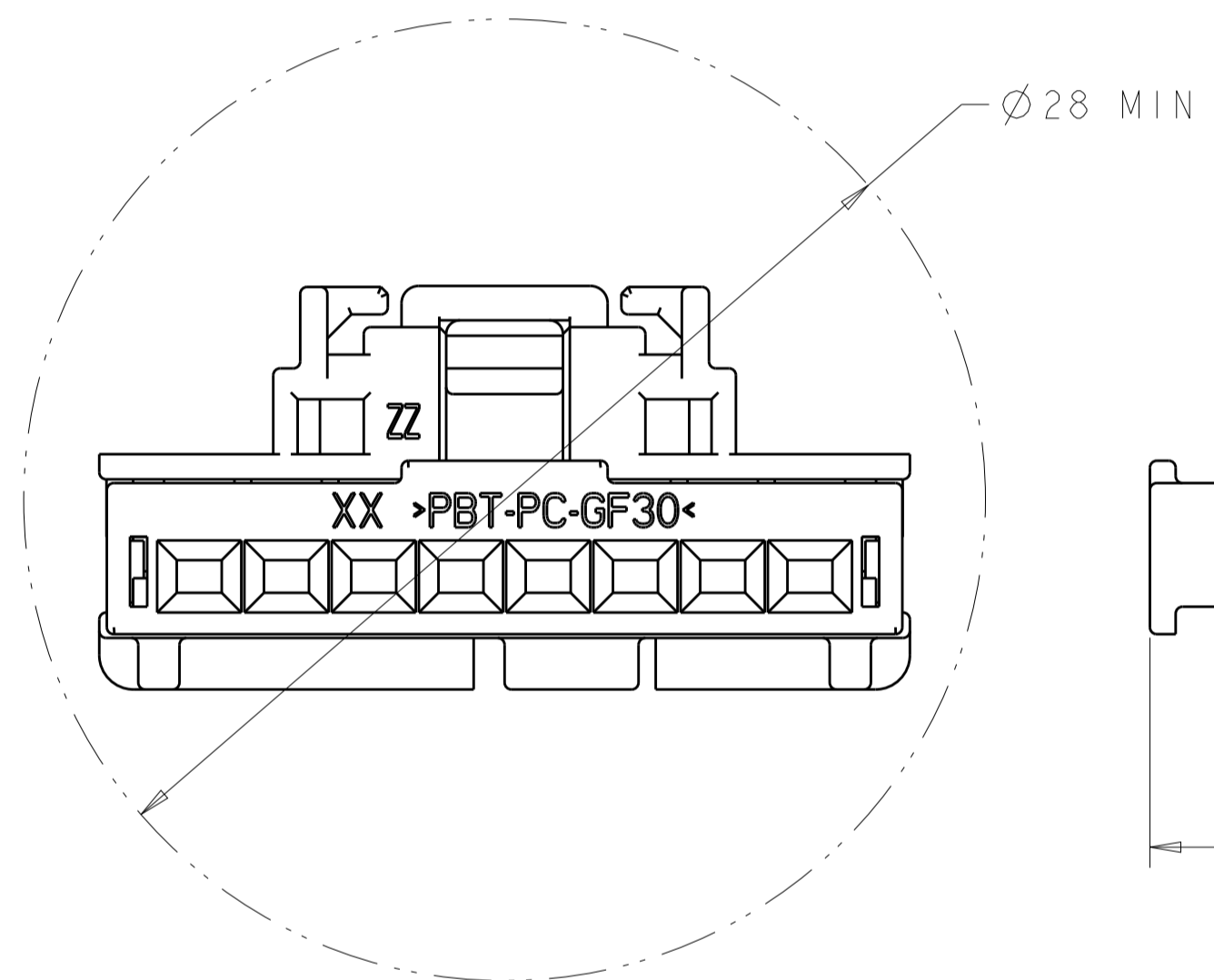
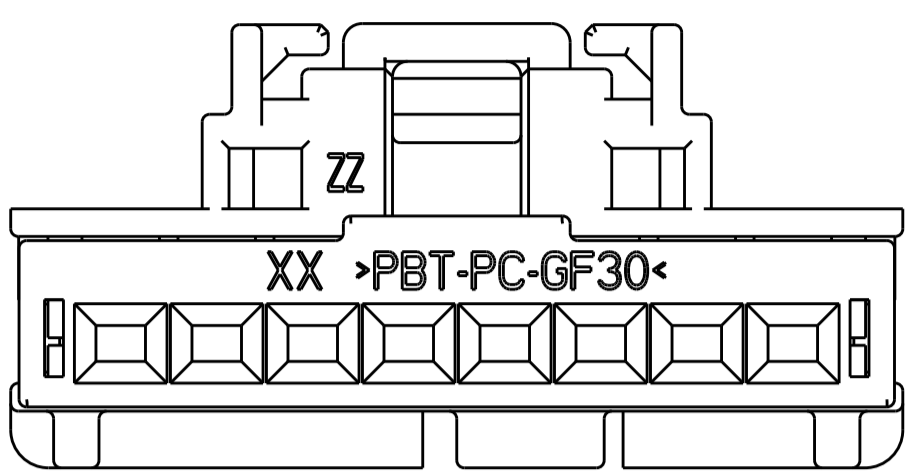
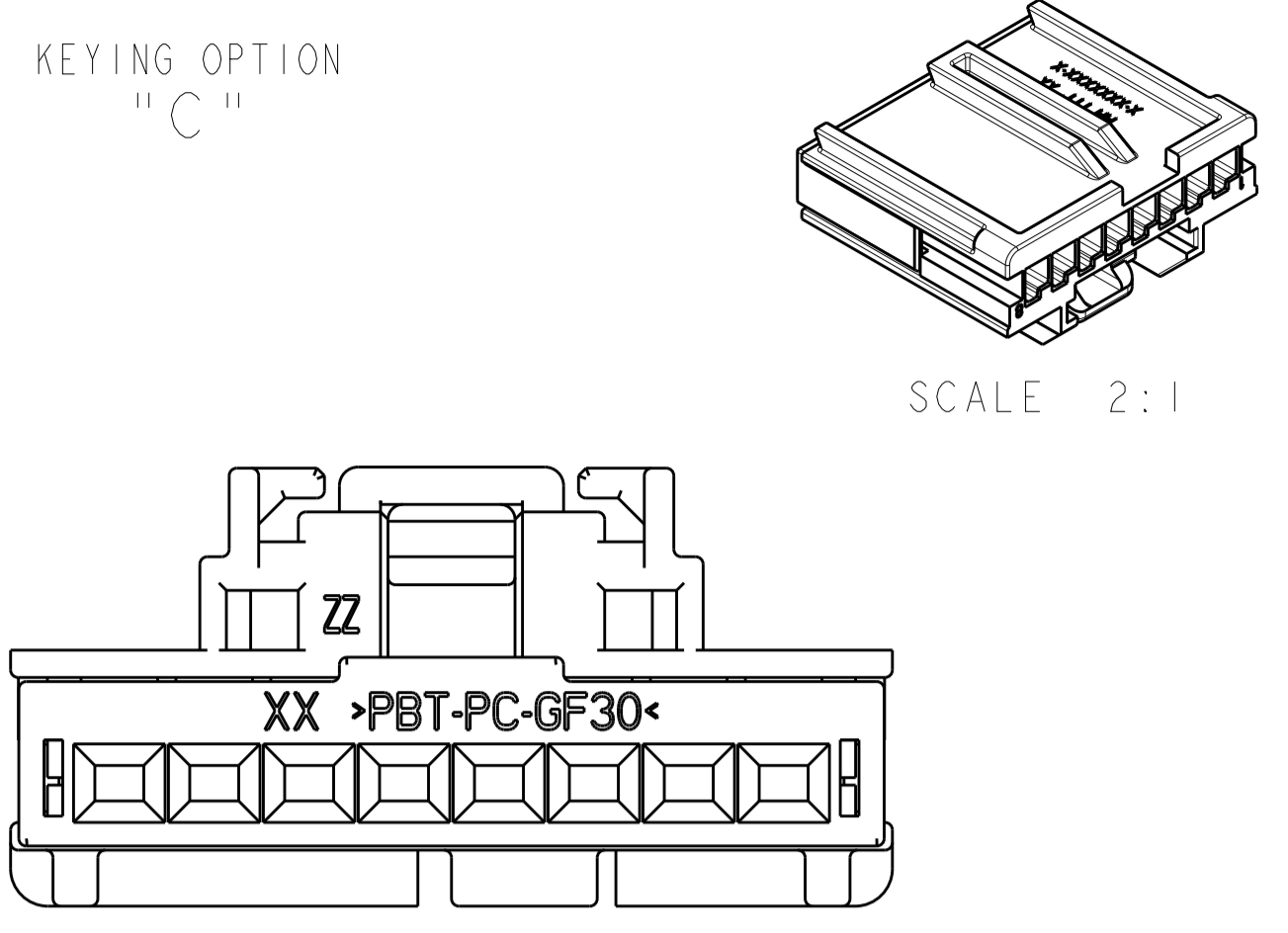




THE DATASHEET OF
1488903-1



REVISIONS				
P.	LTN	DESCRIPTION	DATE	DWN APVD
B		REVISED PER ECR 07-029464	04JAN2008	DD DZ
BI		REVISED PER ECO 15-006720	07MAY2015	DD RL



- △ TERMINAL CAVITY ID.
- 2. SPACER IS SHIPPED IN PRE-ASSEMBLY POSITION.
- △ 3. PART NUMBER AND DATE CODE.
- △ 4. MOLD CAVITY ID.
- △ 5. MATERIAL IDENTIFICATION.
- 6. PACKAGING: CONNECTOR ASSEMBLIES BULK PACKED IN CARDBOARD BOX.
- 7. DURING SHIPPING AND HANDLING THE TPA MAY BE DISPLACED TO IT'S LOCKED POSITION. THE CONNECTOR CAN BE RETURNED TO IT'S PROPER FUNCTION USING IS SHEET 408-10104.
- 8. APPLICABLE TERMINAL PART NUMBERS (SOLD SEPARATELY) GOLD APPLICATIONS 1393364 AND 1393365. TIN APPLICATIONS 1393366 AND 1393367 FOR TERMINATION AND REELING OPTIONS, SEE DRAWINGS: 1393364, 1393365, 1393366 AND 1393367.

"C"	PBT	RED	NYLON	BLACK	1488903-1
KEY	MATERIAL	COLOR	MATERIAL	COLOR	PART NUMBER
	SPACER		HOUSING		

THIS DRAWING IS A CONTROLLED DOCUMENT.		DWN	A. SHUMAN	13NOV2003	STE TE Connectivity
DIMENSIONS:		CHK	D. REVAK	10FEB2004	
TOLERANCES UNLESS OTHERWISE SPECIFIED:		APVD	D. REVAK	10FEB2004	
mm		PRODUCT SPEC		NAME	
0 PLC	±	APPLICATION SPEC		1X8 GET, UNSEALED, PLUG ASSEMBLY WITH MODIFIED THUMBPAD	
1 PLC	±	WEIGHT		SIZE	
2 PLC	±	CUSTOMER DRAWING		CAGE CODE	
3 PLC	±	SCALE		DRAWING NO	
4 PLC	±	SHEET		REV	
ANGLES	±	REV		BI	
FINISH	-	SCALE		5:1	
		SHEET		1 OF 1	
		REV		BI	

Looking for pricing, stock, or lifecycle information?

Click below to explore more details on WIN SOURCE:

 [View 1488903-1 on WIN SOURCE](#)

 [TE Connectivity](#) Information

Optimize Your Supply Chain with WIN SOURCE Solutions

-  Global Sourcing Solution
-  Obsolete Management
-  Cost Control Management
-  Shortage Management
-  Alternative Solution
-  Excess Inventory Management