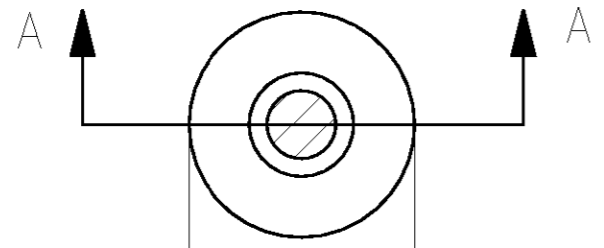


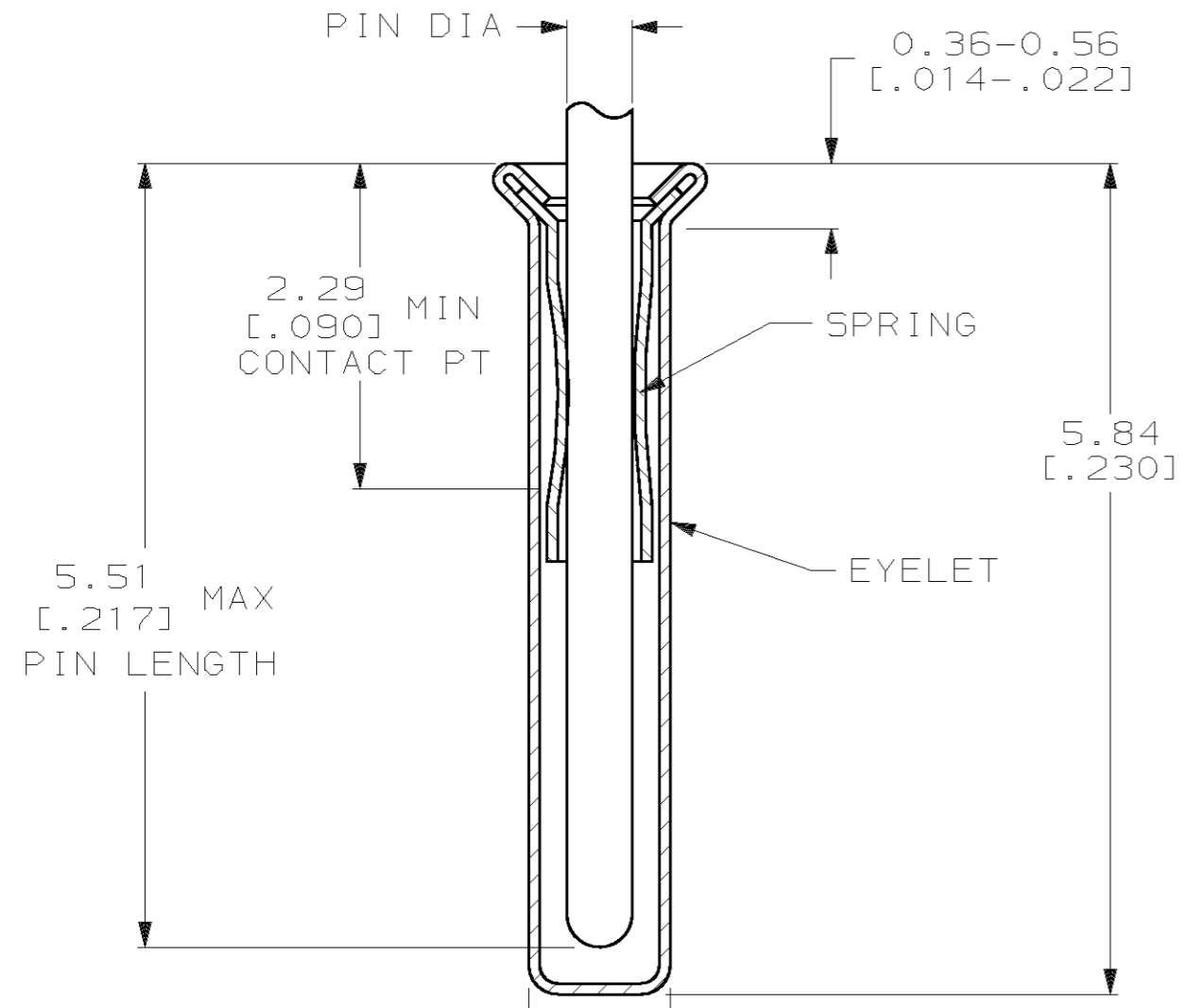
THIS DRAWING IS UNPUBLISHED. RELEASED FOR PUBLICATION .19 .
 © COPYRIGHT 19 BY AMP INCORPORATED. ALL RIGHTS RESERVED.

LOC	DIST	REVISIONS			
P	LTR	DESCRIPTION	DATE	DWN	APVD
AD	0	0	REV PER 063C-0214-00	18MAY00	BH HW



$\phi 1.50$ MAX
 $[\phi .059]$

- 1 SPRING: BERYLLIUM COPPER PER QQ-C-533.
EYELET: COPPER PER QQ-C-576.
- 2 GOLD PER MIL-G-45204, TYPE II, 0.00076 $[\text{.000030}]$ MIN THK OVER NICKEL PER QQ-N-290 0.00028 $[\text{.000011}]$ MIN THK ON CONTACT AREA.
- 3 GOLD FLASH PER MIL-G-45204, TYPE II, 0.13 μm $[\text{.000005}]$ MIN THK. OVER NICKEL PLATE PER QQ-N-290 0.51 μm -1.52 μm $[\text{.000020}-\text{.000060}]$ EXT THK.
- 4. RECOMMENDED HOLE SIZE, PLATED OR UNPLATED:
 HAND INSERTION: $1.02^{+0.10}_{-0.00}$ $[\text{.040}^{+.004}_{-.000}]$
- 5 TO INSURE PROPER SPRING TENSION DO NOT EXCEED A 0.10 $[\text{.004}]$ DIFFERENCE IN PIN DIA WHEN CHANGING TO A SMALLER PIN.



$\phi 0.97^{+0.05}_{-0.03}$
 $[\phi .038^{+.002}_{-.001}]$


SECTION A-A

CLOSED	0.33-0.51 [.013-.020]	GOLD 3	GOLD 2	147444-1
BOTTOM TYPE	RECOMMENDED PIN DIA 5	EYELET	SPRING	PART NUMBER
FINISH				

THIS DRAWING IS A CONTROLLED DOCUMENT.		DWN R. TALLEY 04 APR 00	AMP Incorporated Harrisburg, PA 17105-3608	
DIMENSIONS: mm [INCHES]		CHK W. WYNKOOP 04 APR 00		
TOLERANCES UNLESS OTHERWISE SPECIFIED:		APVD W. WYNKOOP 04 APR 00	NAME SOCKET ASSEMBLY, SERIES 1, MINIATURE SPRING SOCKET	
0 PLC ±- 1 PLC ±- 2 PLC ±0.20 [.008] 3 PLC ±- 4 PLC ±- ANGLES ±-		PRODUCT SPEC -	SIZE A3	
MATERIAL 1		APPLICATION SPEC -	CAGE CODE 00779	DRAWING NO C- 147444
FINISH SEE TABLE		WEIGHT -	RESTRICTED TO -	
CUSTOMER DRAWING			SCALE 20:1	SHEET 1 OF 1
			REV 0	

Looking for pricing, stock, or lifecycle information?

Click below to explore more details on WIN SOURCE:

 [View 147444-1 on WIN SOURCE](#)

 [TE Connectivity](#) Information

Optimize Your Supply Chain with WIN SOURCE Solutions

-  Global Sourcing Solution
-  Obsolete Management
-  Cost Control Management
-  Shortage Management
-  Alternative Solution
-  Excess Inventory Management