



**THE DATASHEET OF  
PM-DB2762**

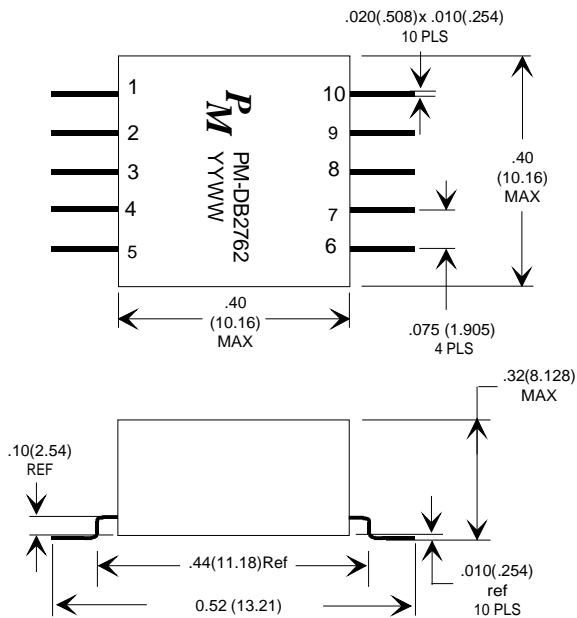


**TABLE 1: ELECTRICAL SPECIFICATIONS AT 25°C**

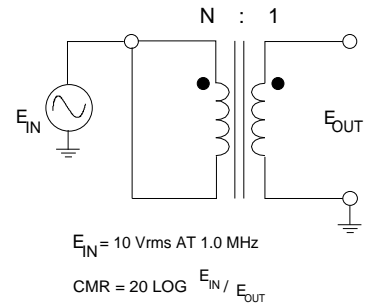
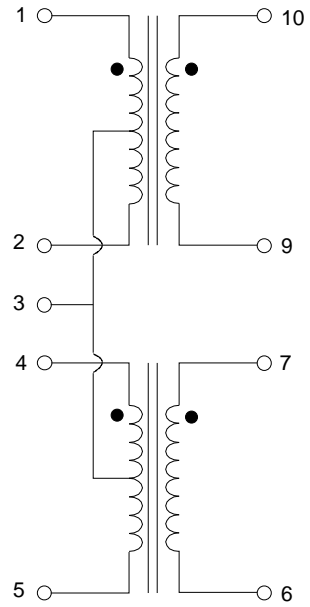
PARAMETER	SPEC LIMITS			UNITS
	MIN.	TYP.	MAX.	
TURNS RATIO'S: FREQUENCY: 10 KHZ VOLTAGE: 1.0 VRMS (1-2) : (10-9) (4-5) : (7-6)	-----	1 : 2.5	-----	± 3%
DC RESISTANCE 1-2, 4-5 10-9, 7-6	-----	-----	1.5 3.5	Ω Ω
IMPEDANCE: 10-9 & 7-6 FREQUENCY: 75 KHZ TO 249KHZ FREQUENCY: 250 KHZ TO 1 MHZ	3000 4000	----- -----	----- -----	Ω Ω
COMMON MODE REJECTION	45	-----	-----	dB
HI-POT: 1-10, 4-7	100	-----	-----	VRMS
INSULATION RESISTANCE 250Vdc BETWEEN 1 -10, 4-7	1000	-----	-----	MΩ

**NOTE1:**  
DESIGNED TO MEET MIL-STD-1553A/B AND MIL-PRF-21038.

**FIGURE 2: PHYSICAL DIMENSIONS IN INCHES (mm)**



**FIGURE 1: SCHEMATIC DIAGRAM**



REV.	DESCRIPTION OF CHANGES	BY
05/07/10	UPDATE RELEASE, ADD TABLE 2, GENERAL SPECIFICATION	PP
07/27/10	CORRECT PINS WIDTH	PP



UNLESS OTHERWISE SPECIFIED DIMENSIONS ARE IN INCHES  
 DIMENSIONAL TOLERANCES ARE:  
 DECIMALS ANGLES  
 .XX ± .04 ± 0° 30'  
 .XXX ± .020  
 DO NOT SCALE DRAWING

TRANSFORMER CONTROL DRAWING	
PREMIER P/N: PM-DB2762	REVISION: 07/27/10
ENGR: PETER PHAM	REF: 21038/27
SCALE: NONE	SHEET: 1 OF 2

**TABLE 2: GENERAL SPECIFICATIONS**

PARAMETER	VALUE	UNIT	REMARKS
Case			Flame Resistant, Diallyl Phthalate
Weight	gm	3.0 Max	
Terminals			Solderable, meet RoHS
Terminal Strength	lbs	2	2 pounds applied force, Mil-Std-202, Method 211, Condition A
Dielectric Withstanding Voltage	Vrms	100	Mil-Std-202, Method 301
Insulation Resistance	MΩ	1,000	Mil-Std-202, Method 302, Condition B, At 250Vdc
Life (Expectancy "X")	Hrs	10,000 Min	Mil-Prf-21038
Pulse Width	μS	2	Mil-Prf-21038, Figure 3 & 4
Overshoot & Ringing	V	± 1 Max	Mil-Prf-21038, Figure 3 & 4
Droop	%	20%Max	Mil-Prf-21038, Figure 3 & 4
Rise Time	ns	250 Max	Mil-Prf-21038, Figure 3 & 4
Common Mode Rejection	dB	45	Mil-Prf-21038, Figure 2
Operation Temperature	°C	-55°C to +130°C	
Turns Ratio			See Table 1
DC Resistance			See Table 1
Impedance			See Table 1



UNLESS OTHERWISE SPECIFIED  
 DIMENSIONS ARE IN INCHES  
 DIMENSIONAL TOLERANCES ARE:  
 DECIMALS ANGLES  
 .XX ± .04 ± 0° 30'  
 .XXX ± .020  
 DO NOT SCALE DRAWING

**TRANSFORMER CONTROL DRAWING**

PREMIER P/N: PM-DB2762	REVISION: 07/27/10
ENGR: PETER PHAM	REF: 21038/27
SCALE: NONE	SHEET: 2 OF 2

## Looking for pricing, stock, or lifecycle information?

Click below to explore more details on WIN SOURCE:

- ⊖ [View PM-DB2762 on WIN SOURCE](#)
- ⊖ [Holt Integrated Circuits Inc. Information](#)

## Optimize Your Supply Chain with WIN SOURCE Solutions

- ✓ Global Sourcing Solution
- ✓ Obsolete Management
- ✓ Cost Control Management
- ✓ Shortage Management
- ✓ Alternative Solution
- ✓ Excess Inventory Management