



# TP0702

## SMD Hard Ferrite Mechanically Improved Transponder Inductor

7.7x3x2.5x2.2mm (2.38mH - 10.8mH)

SINGLE AXIS TRANSPONDERS INDUCTORS



### FEATURES

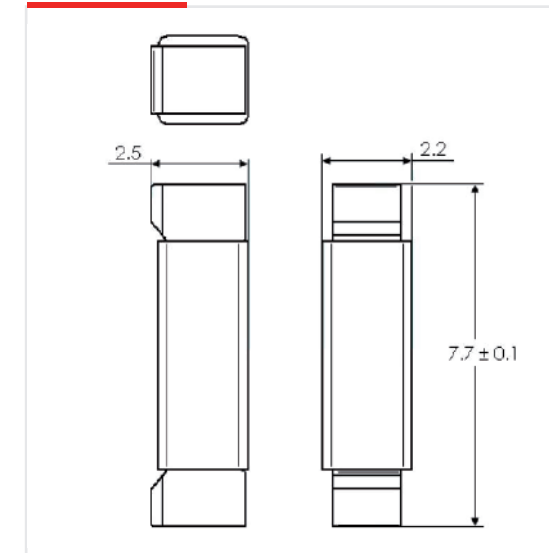
This TP0702 Series of Surface Mountable ferrite wound inductor is a stronger solution in very small dimensions performing very good electrical properties, **a very good solution for RTPMS, Keyless Go and Keyless entry systems.**

## 01 CHARACTERISTICS

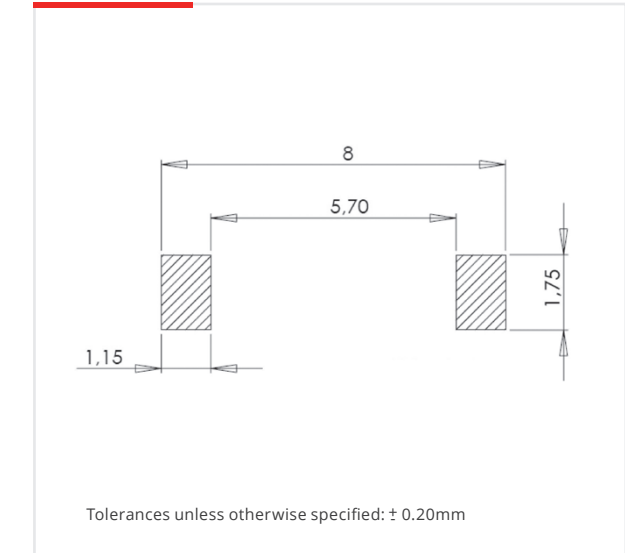
- › Size: 7.7 x 3 x 2.2 mm.
- › Very good mechanical performance.
- › High sensitivity in the smallest volume.
- › Very stable electrical properties in full operational temperature range (-40 g +125 °C).
- › Good performance in thermal shock.
- › Good performance in thermal shock.
- › Big metallised pad area Pb free.
- › Good cost/performance ratio.
- › Due to its small dimensions, it's a suitable design for other applications working at lower frequencies.
- › This component is also functional to 20kHz and 134kHz.

## 02 SPECIFICATIONS

### DIMENSIONS (mm)



### RECOMMENDED PAD-LAYOUT



### ELECTRICAL SPECIFICATIONS | 125kHz

P/N	L (mH)	Tolerance	Cres (pF)	Q@125 kHz	SRF Min (kHz)	Sensitivity (mVpp/App/m) min
TP0702-0238J	2.38	±5%	680	>20	>750	>25
TP0702-0491J	4.91	±5%	330	>22	>500	>50
TP0702-0720J	7.20	±5%	225	>18	>450	>47
TP0702-0900J	9.00	±5%	180	>18	>400	>47


This chart is a reference guide for the most common required values at **working frequency of 125 kHz**. Any other inductance value at LF or tighter tolerances can be provided. Please contact our sales department for any inquiry. Sensitivity measured with Helmholtz coils H=8.36 App/m @125 kHz. Contact us for measurement specification.  
**SRF:** Self Resonant Frequency of the coil.  
**Cres:** Capacitor for tuning circuits (125 kHz).

- › Terminals: Ag-Ni-Sn100.
- › Wire: H, 180 °C. Solderable.
- › Refer to the General Features of SMD transponder inductors page.

## Looking for pricing, stock, or lifecycle information?

Click below to explore more details on WIN SOURCE:

 [View TP0702-0720J on WIN SOURCE](#)

 [Premo Information](#)

## Optimize Your Supply Chain with WIN SOURCE Solutions

-  Global Sourcing Solution
-  Obsolete Management
-  Cost Control Management
-  Shortage Management
-  Alternative Solution
-  Excess Inventory Management