



THE DATASHEET OF
827050-1





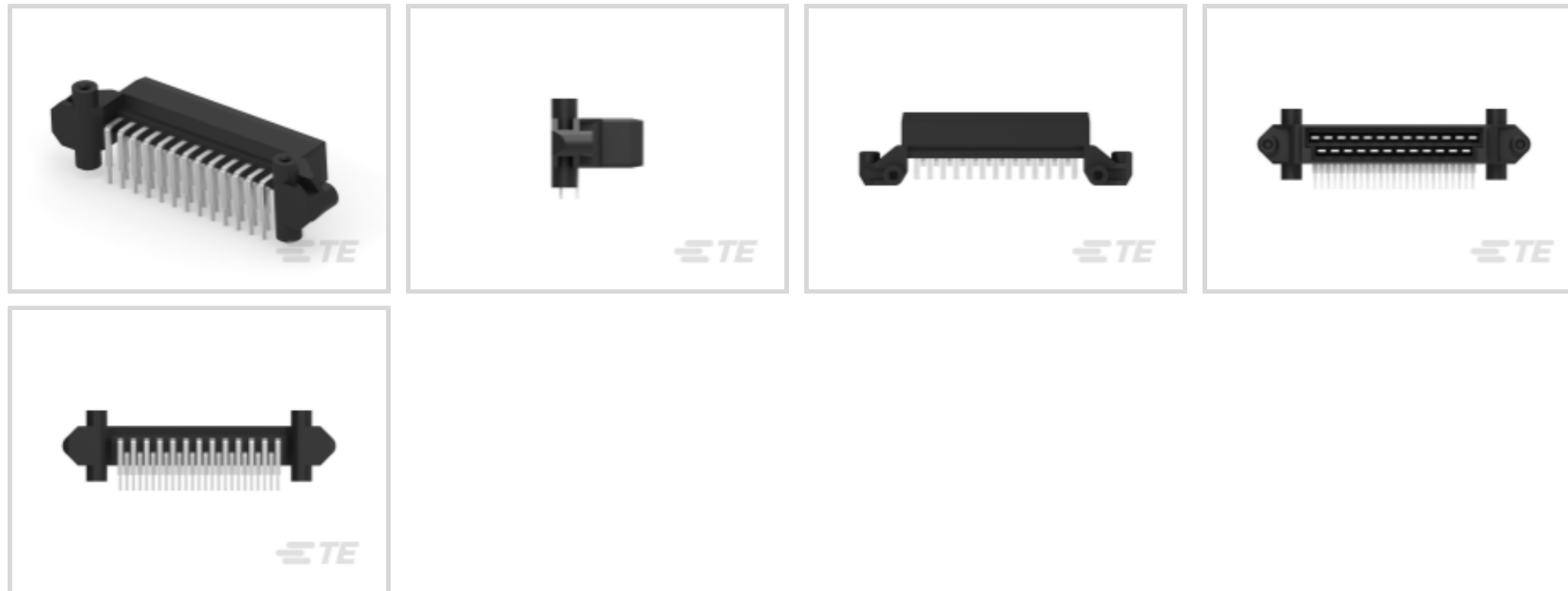
Timer Connector System

TE Internal #: 827050-1

TE Internal Description: 25 POS TAB HSG

Low & Medium Power Header

[View on TE.com >](#)



All Low & Medium Power Header (103)

Product Compliance

[For compliance documentation, visit the product page on TE.com>](#)

EU RoHS Directive 2011/65/EU	Compliant
EU ELV Directive 2000/53/EC	Compliant
China RoHS 2 Directive MIIT Order No 32, 2016	No Restricted Materials Above Threshold
EU REACH Regulation (EC) No. 1907/2006	Current ECHA Candidate List: JUNE 2024 (241) Candidate List Declared Against: JUNE 2022 (224) Does not contain REACH SVHC
Halogen Content	Low Halogen - Br, Cl, F, I < 900 ppm per homogenous material. Also BFR/CFR/PVC Free
Solder Process Capability	Not applicable for solder process capability

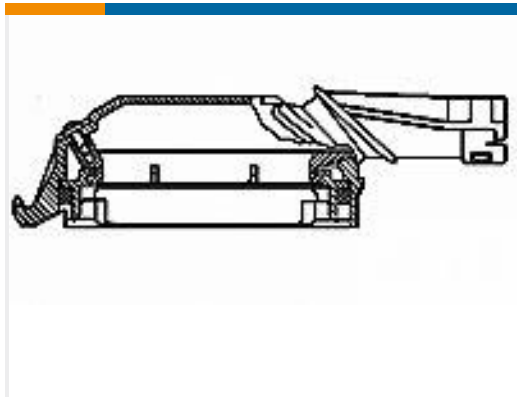
Product Compliance Disclaimer

This information is provided based on reasonable inquiry of our suppliers and represents our current actual knowledge based on the information they provided. This information is subject to change. The part numbers that TE has identified as EU RoHS compliant have a maximum concentration of 0.1% by weight in homogenous materials for lead, hexavalent chromium, mercury, PBB, PBDE, DBP, BBP, DEHP, DIBP, and 0.01% for cadmium, or qualify for an exemption to these limits as defined in the Annexes of Directive 2011/65/EU (RoHS2). Finished electrical and electronic equipment products will be CE marked as required by Directive 2011/65/EU. Components may not be CE marked. Additionally, the part numbers that TE has identified as EU ELV compliant have a maximum concentration of 0.1% by weight in homogenous materials for lead, hexavalent chromium, and mercury, and 0.01% for cadmium, or qualify for an exemption to these limits as defined in the Annexes of Directive 2000/53/EC (ELV). Regarding the REACH Regulation, the information TE provides on SVHC in articles for this part number is based on the latest European Chemicals Agency (ECHA) 'Guidance on requirements for substances in articles' posted at this URL: <https://echa.europa.eu/guidance-documents/guidance-on-reach>

Compatible Parts



TE Part # CAT-T4827-CH8172
Timer Connector Housing

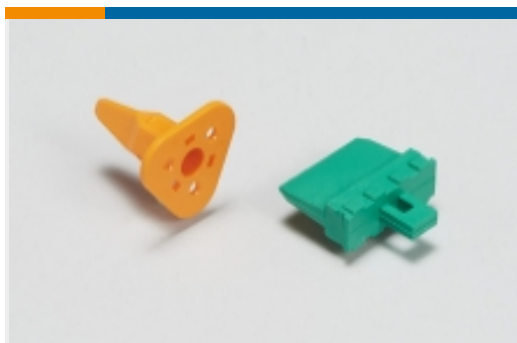


TE Part # 827249-1
25 POS. MINI SPRING RECPT. HSG

Also in the Series | Timer Connector System



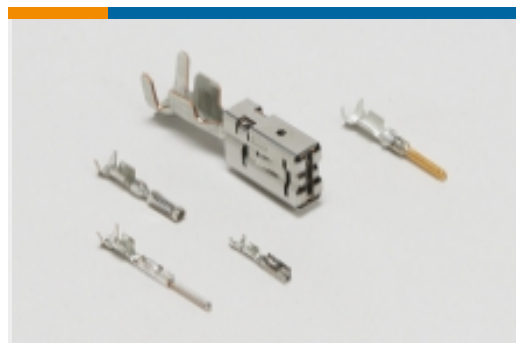
Automotive Connector Caps & Covers
(14)



Automotive Connector Locks &
Position Assurance(15)



Automotive Housings(215)



Automotive Terminals(135)



Connector Seals & Cavity Plugs(38)



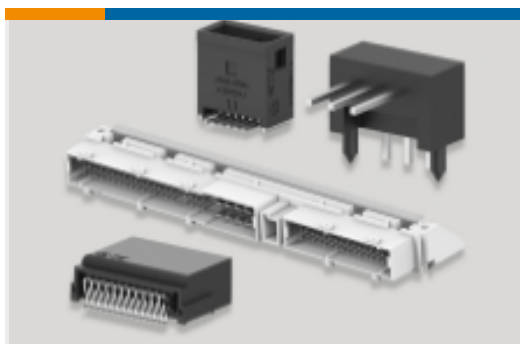
Crimp Terminal Housings(13)



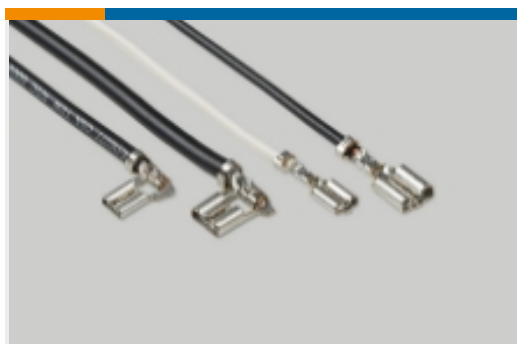
Insertion & Extraction Tools(18)



Other Automotive Connector
Accessories(1)

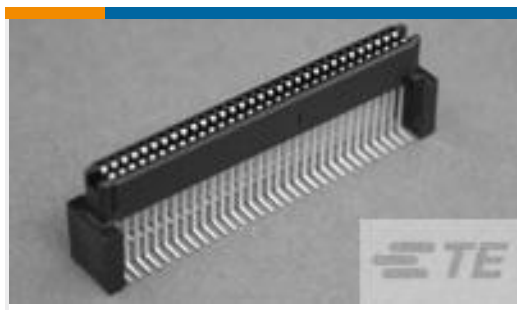


PCB Headers & Receptacles(40)



Quick Disconnects(4)

Customers Also Bought



TE Part #5146896-1
1FHR,64,30A/S,S,C,S14,15



TE Part #2309411-1
DDR4 SODIMM 260P 8.0H STD



TE Part #5-102202-2
05 MODII HDR SRST SHRD LF



TE Part #3-2176371-7
RQ 0603 11K 0.1% 10PPM 5K RL



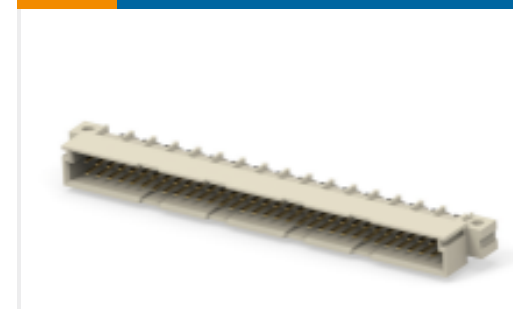
TE Part #DT15-6P
HDR, 6P, GRY, ST, NI/CU



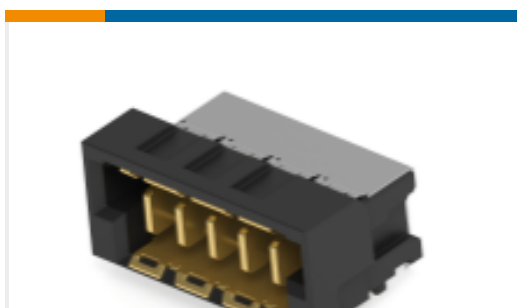
TE Part #114711-E
MICROS STV 6 407 188 * 0007 J 3
114711 M



TE Part #254699-E
SRCA 2,54 6 M 1 SMD 137 E1 094 *
GURT *



TE Part #384241-E
STVB 64 M AB VV 4-00 0606 * * 247
E007 1



TE Part #394572-E
MSPPM 5 M THR * 90B A V 137 094 *
E008 J



TE Part #BAT-HLD-003-SMT-TR
Holder 2016 2020 2025 2032 SMT T&R
Pack

Documents

Product Drawings

25 POS TAB HSG

English

CAD Files

3D PDF

English

Customer View Model

[ENG_CVM_827050-1_G1.3d_igs.zip](#)

English

Customer View Model

[ENG_CVM_827050-1_G1.3d_stp.zip](#)

English

Customer View Model

[ENG_CVM_827050-1_G1.2d_dxf.zip](#)

English

3D PDF

3D



Customer View Model

[ENG_CVM_CVM_827050-1_G.2d_dxf.zip](#)

English

Customer View Model

[ENG_CVM_CVM_827050-1_G.3d_igs.zip](#)

English

Customer View Model

[ENG_CVM_CVM_827050-1_G.3d_stp.zip](#)

English

By downloading the CAD file I accept and agree to the [Terms and Conditions](#) of use.

Product Specifications

[Product Specification](#)

English

Looking for pricing, stock, or lifecycle information?

Click below to explore more details on WIN SOURCE:

[View 827050-1 on WIN SOURCE](#)

[TE Connectivity Information](#)

Optimize Your Supply Chain with WIN SOURCE Solutions

- ✓ Global Sourcing Solution
- ✓ Obsolete Management
- ✓ Cost Control Management
- ✓ Shortage Management
- ✓ Alternative Solution
- ✓ Excess Inventory Management