



**THE DATASHEET OF  
R222M00720**

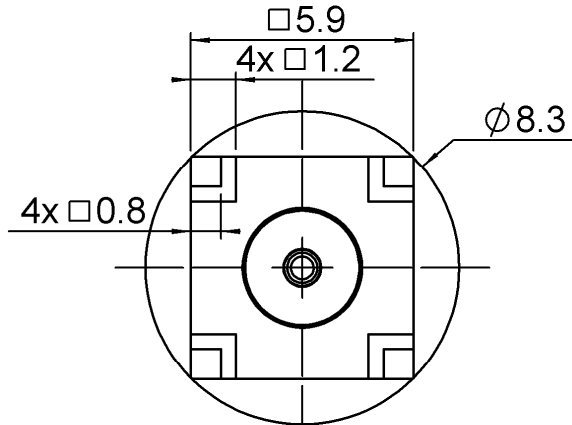


**STRAIGHT MALE RECEPTACLE FOR PCB**

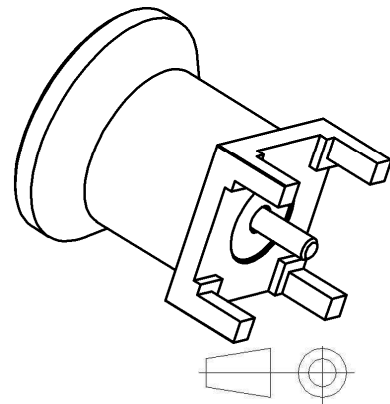
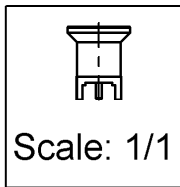
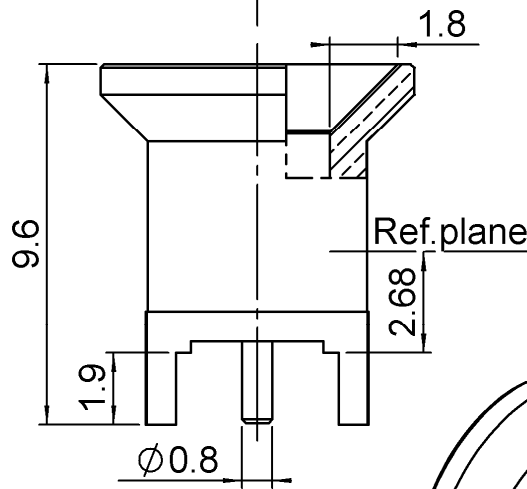
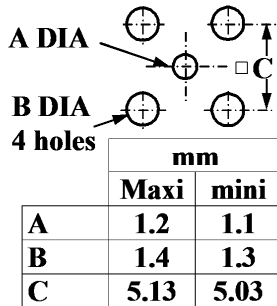
**R222.M00.720**

**SLIDE TYPE - SOLDER LEGS**

Series : SMP-MAX



**PANEL CUT OUT**



All dimensions are in mm.

COMPONENTS	MATERIALS	PLATING (µm)
BODY	BRASS	NPGR
CENTER CONTACT	BRASS	NPGR
OUTER CONTACT		
INSULATOR	PTFE	
GASKET		
OTHERS PARTS		
-	-	-
-	-	-

Issue : 1107 B

In the effort to improve our products, we reserve the right to make changes judged to be necessary.



**STRAIGHT MALE RECEPTACLE FOR PCB**

**R222.M00.720**

**SLIDE TYPE - SOLDER LEGS**

Series : **SMP-MAX**

**PACKAGING**

**SPECIFICATION**

Standard	Unit	Other
<b>100</b>	<b>'W' option</b>	<b>Contact us</b>

**ELECTRICAL CHARACTERISTICS**

**ENVIRONMENTAL**

Impedance	<b>50</b>	$\Omega$
Frequency	<b>0-6</b>	GHz
VSWR	<b>1.25* + 0,0000</b>	x F(GHz) Maxi
Insertion loss	<b>0.15*</b>	$\sqrt{F}$ (GHz) dB Maxi
RF leakage	- ( <b>NA</b> )	- F(GHz)) dB Maxi
Voltage rating	<b>335</b>	Veff Maxi
Dielectric withstanding voltage	<b>1000</b>	Veff mini
Insulation resistance	<b>5000</b>	M $\Omega$ mini

Operating temperature	<b>-55/+165</b>	$^{\circ}$ C
Hermetic seal	<b>NA</b>	Atm.cm3/s
Panel leakage	<b>NA</b>	

**OTHER CHARACTERISTICS**

Assembly instruction

Others :

\*VSWR: up to 3GHz; 3-6GHz, 1.35max

\*Coaxial Transmission Line Only

\*Slide type receptacle+Bullet+Snap type receptacle

Typical VSWR(Board to Board connection):

0-3GHz, 1.2max

Power handling (typical) :

>300W@2.7GHz at 25 $^{\circ}$ C: >200W@2.7GHz at 85 $^{\circ}$ C

Radial working angle: 3 $^{\circ}$ min

Axial working range: 2mm

**MECHANICAL CHARACTERISTICS**

Center contact retention		
Axial force – Mating end	<b>7</b>	N mini
Axial force – Opposite end	<b>7</b>	N mini
Torque	<b>NA</b>	N.cm mini
Recommended torque		
Mating	<b>NA</b>	N.cm
Panel nut	<b>NA</b>	N.cm
Mating life	<b>100</b>	Cycles mini
Weight	<b>1,3100</b>	g

Issue : 1107 B

In the effort to improve our products, we reserve the right to make changes judged to be necessary.



## Looking for pricing, stock, or lifecycle information?

Click below to explore more details on WIN SOURCE:

 [View R222M00720 on WIN SOURCE](#)

 [Radiall USA, Inc. Information](#)

## Optimize Your Supply Chain with WIN SOURCE Solutions

-  Global Sourcing Solution
-  Obsolete Management
-  Cost Control Management
-  Shortage Management
-  Alternative Solution
-  Excess Inventory Management