



THE DATASHEET OF
2302452-1



THIS DRAWING IS UNPUBLISHED.
VERTRAULICHE UNVERÖFFENTLICHTE ZEICHNUNG
© COPYRIGHT 2020 TE Connectivity Germany GmbH

RELEASED FOR PUBLICATION
FREI FUER VERÖFFENTLICHUNG
ALL RIGHTS RESERVED.
ALLE RECHTE VORBEHALTEN.

MATED WITH:
PASSEND ZU:

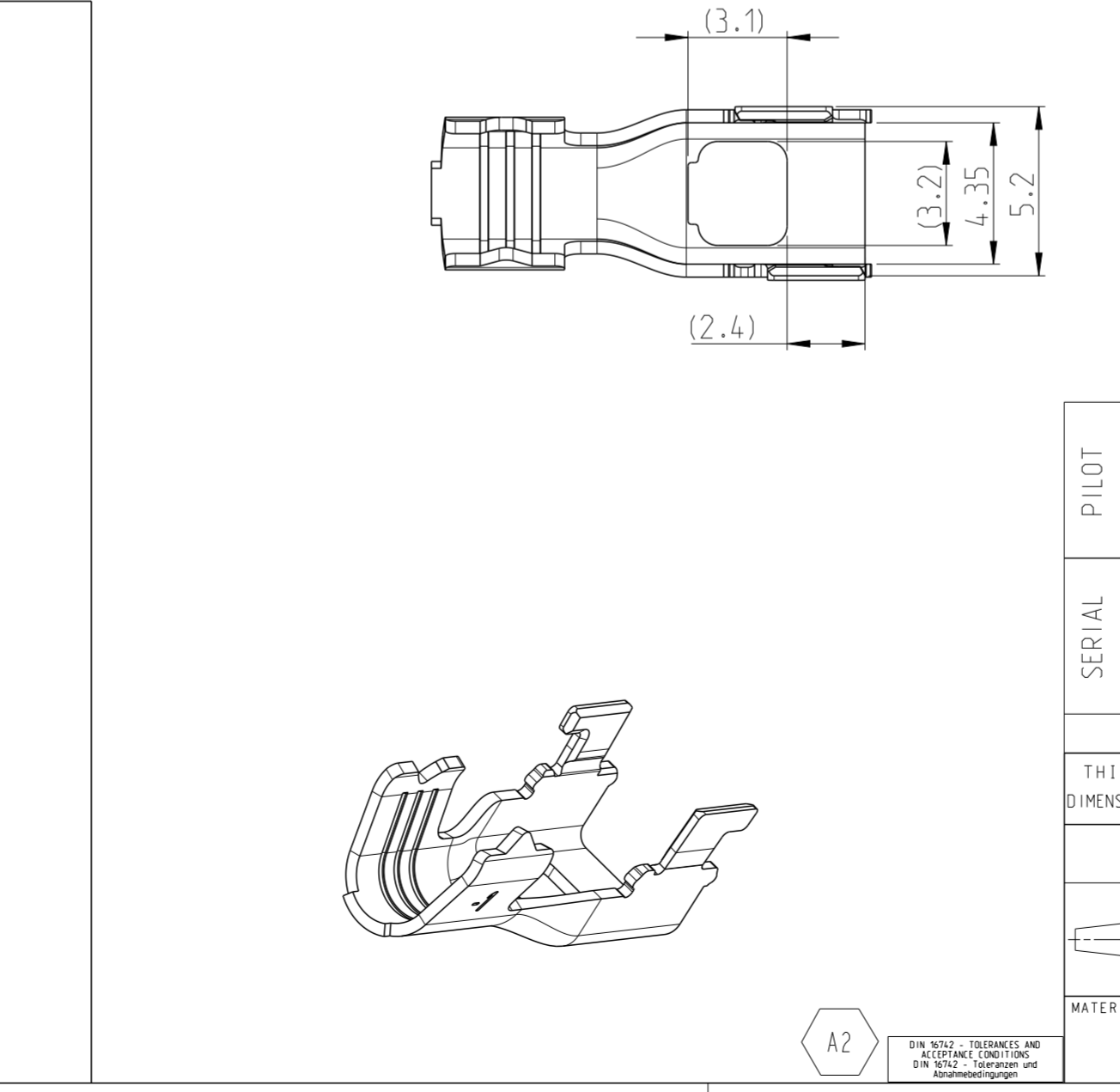
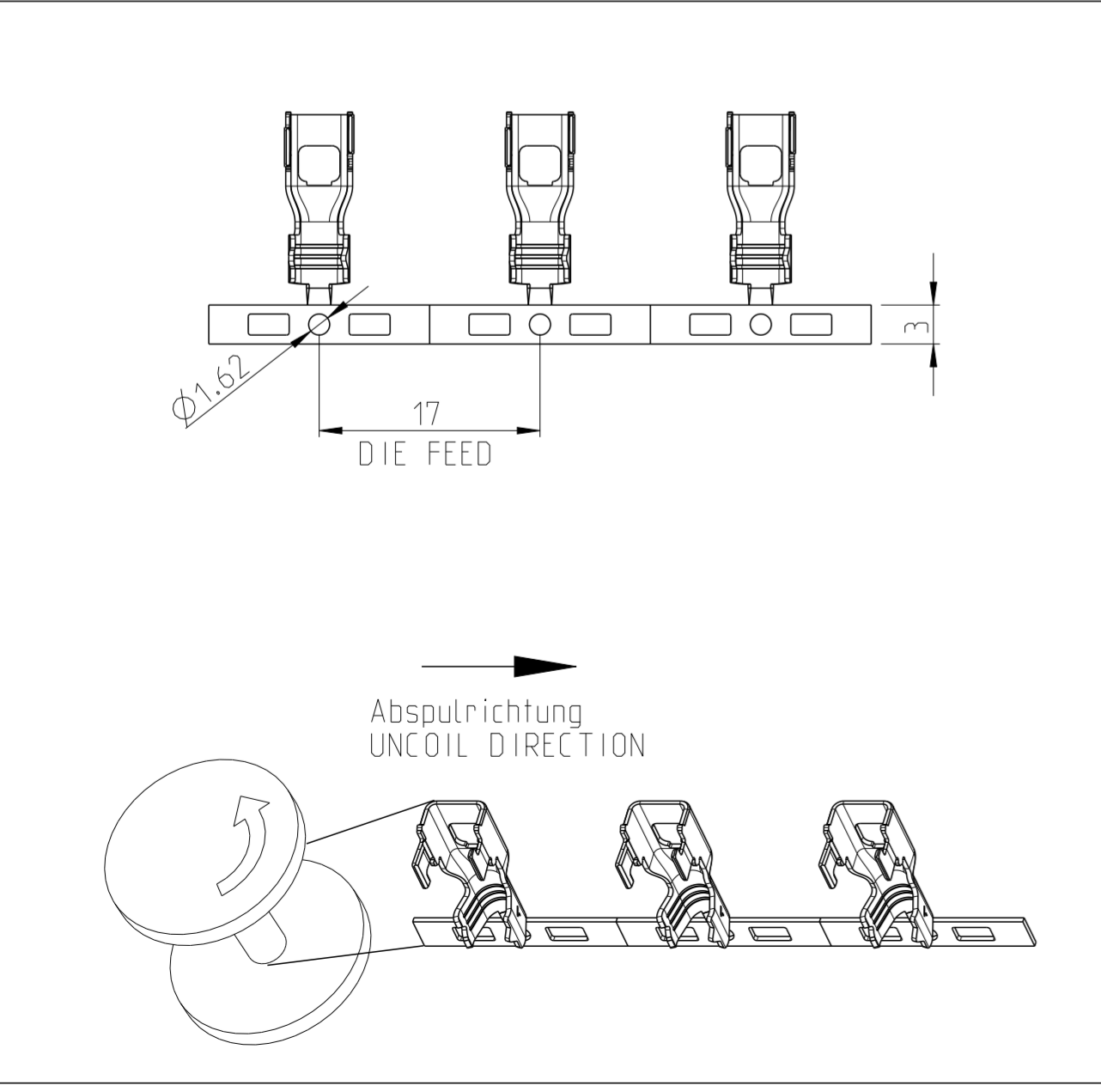
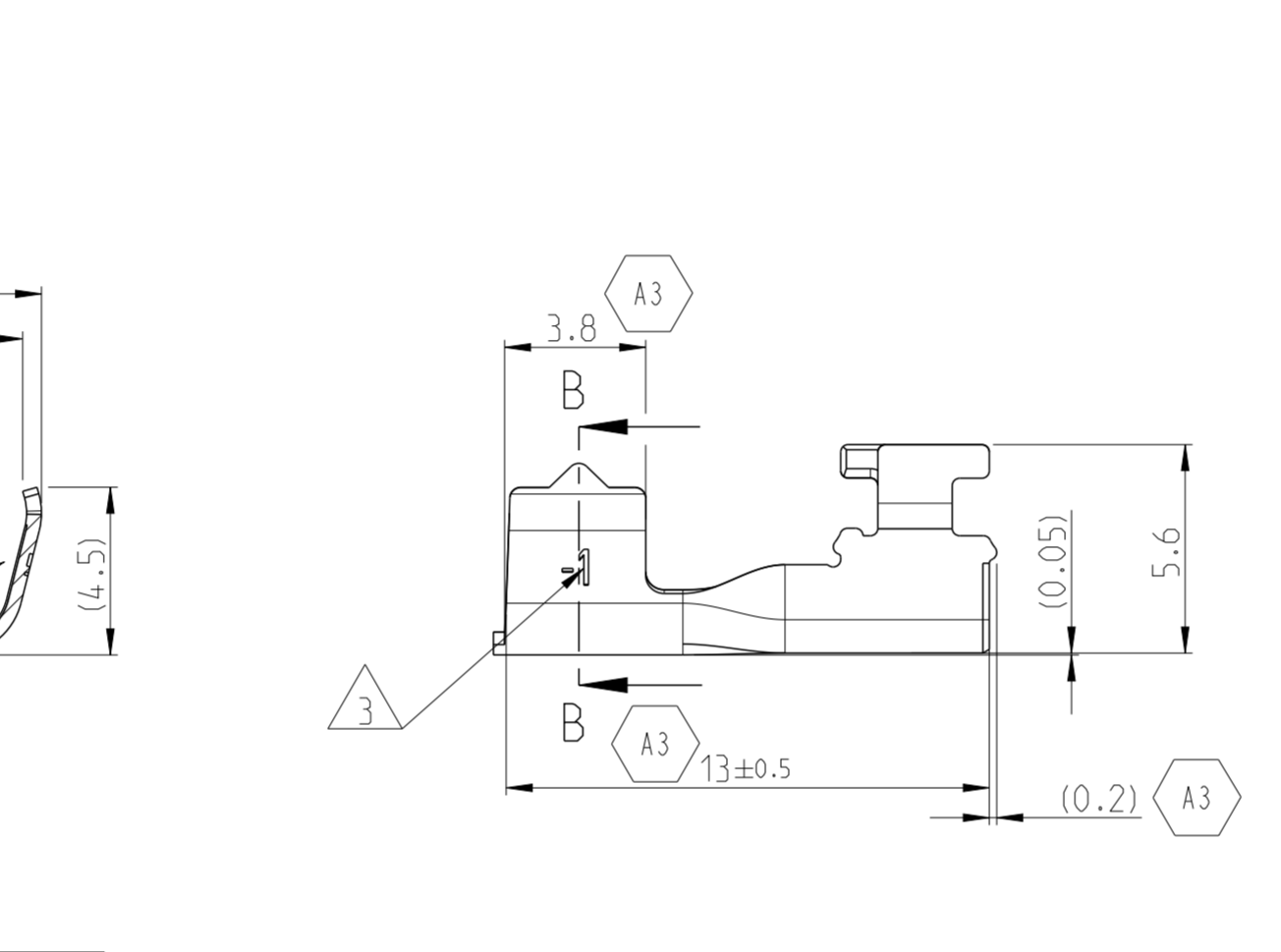
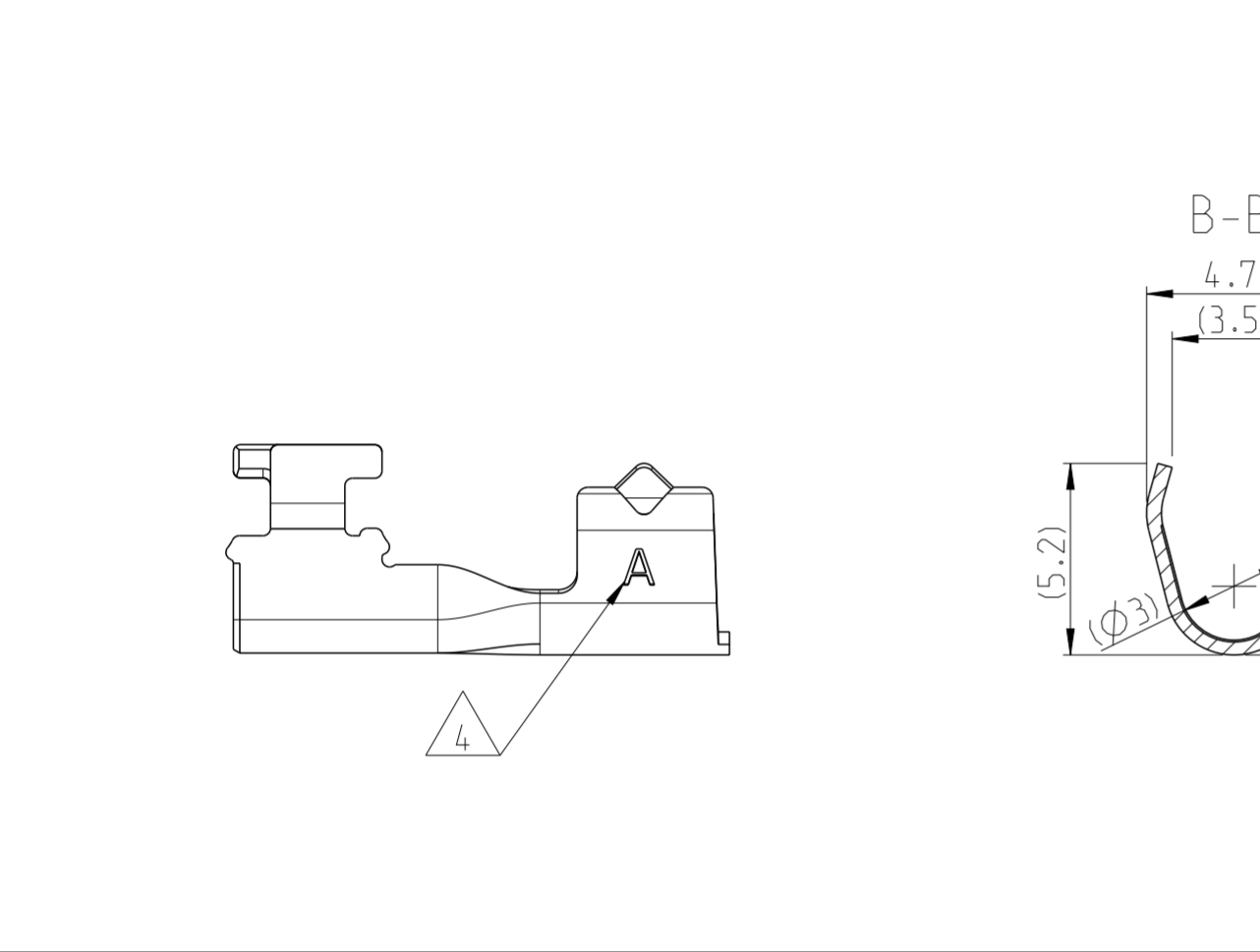
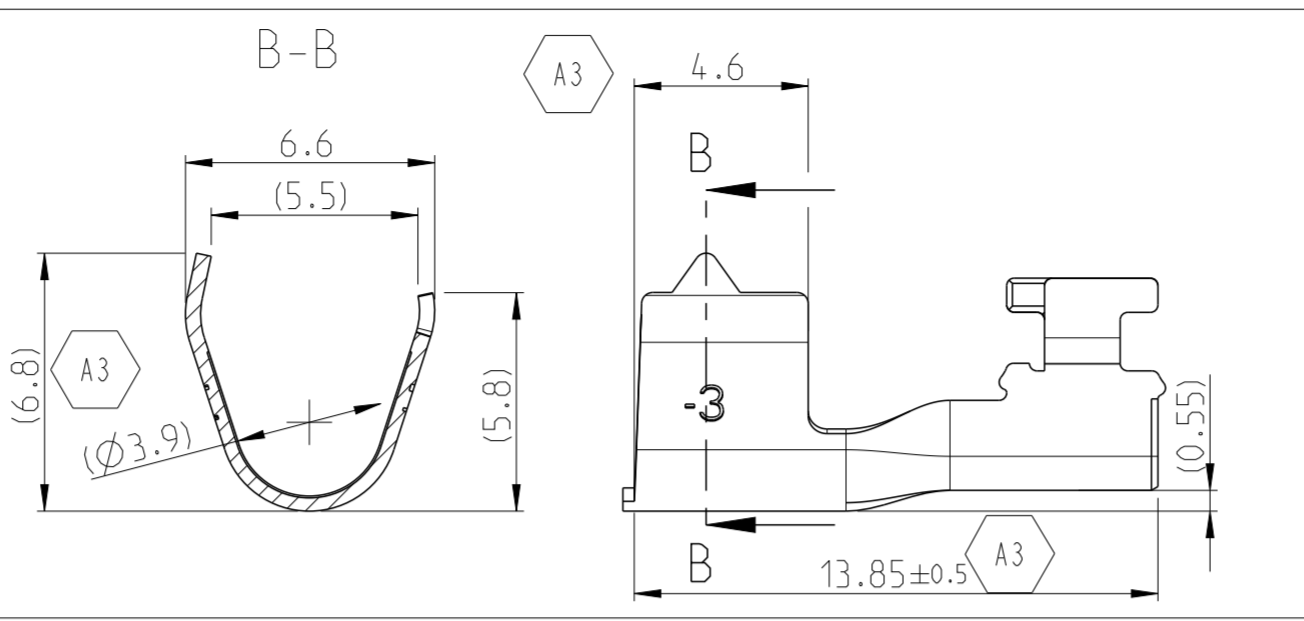
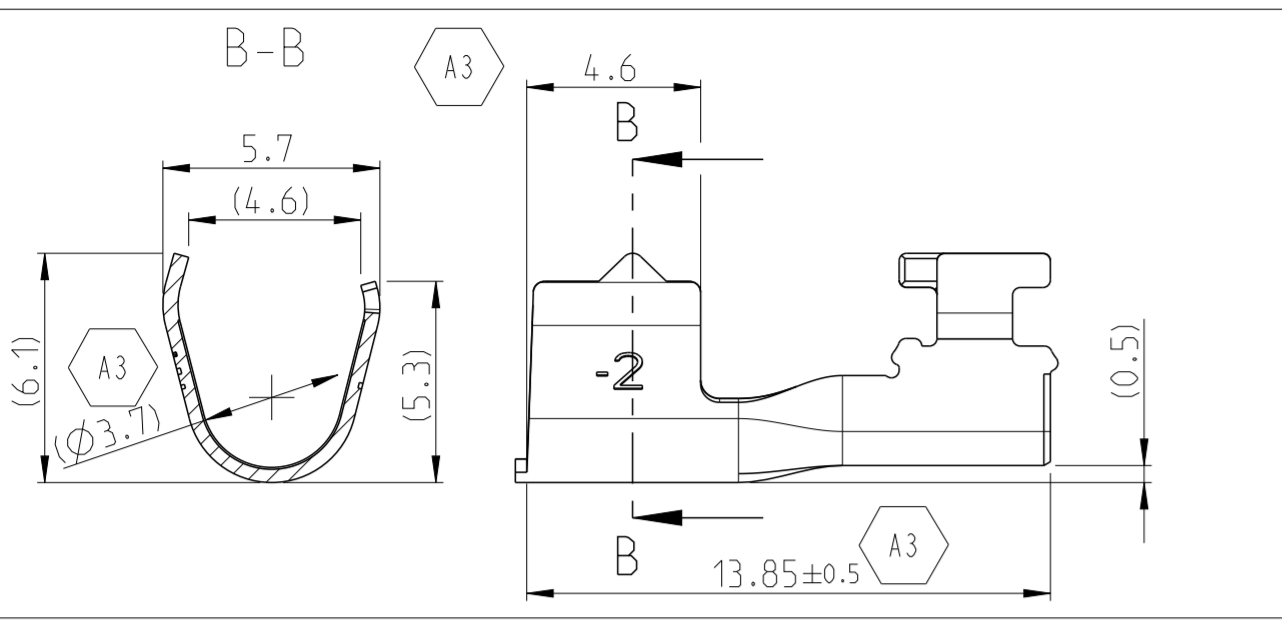
PROJEKT NR.:

REVISIONS
ÄNDERUNGEN

0-2302452-2 / 9-2302452-2

0-2302452-3 / 9-2302452-3

P	LTR	DESCRIPTION BESCHREIBUNG	DATE	DWN	APVD
A		New Drawing	21OCT2016	KIJ	AK
A1		E-17-011574 - added Serial Parts	09AUG2017	RW	AK
A2		E-20-002703 - corrected Note 5	26FEB2020	RW	AK
A3		E-20-008801 - Dimension clarification	19JUN2020	RW	AK



- Bemerkungen / NOTES:
- 0-2302452-1 wie gezeigt
0-2302452-1 AS SHOWN
 - Abmessungen in Klammern sind nur zur Information
DIMENSIONS IN BARCKETS ARE FOR INFORMATION OLNLY
 - Variantenindex.
INDEX OF VARIANT.
 - Änderungsindex
REVISION
 - Verpackung: Am Traegerstreifen auf Spule
PACKAGING: CARRIER-STRIP ON REEL

PILOT	9-2302452-3	A	STP 0.13mm ²	CuSn6	TIN 1.0-3.0 μm (pre-plated)	0.53
		9-2302452-2	A			UTP 0.35mm ² , with Ø4.0mm sheath
	9-2302452-1	A	UTP 0.13mm ² , with Ø3.2mm sheath			0.42
SERIAL	0-2302452-3	A	STP 0.13mm ²	CuSn6	TIN 1.0-3.0 μm (pre-plated)	0.53
	0-2302452-2	A	UTP 0.35mm ² , with Ø4.0mm sheath			0.50
	0-2302452-1	A	UTP 0.13mm ² , with Ø3.2mm sheath			0.42
PART NO		REV	FOR CABLE TYPE	MATERIAL	FINISH	WEIGHT LP [g]
THIS DRAWING IS A CONTROLLED DOCUMENT. DIMENSIONING AND TOLERANCING PER GPS (ISO STANDARDS)			DWN J. Kießwetter 21OCT2016	TE Connectivity Fixierelement f. MATenet Inserts FIXATION ELEMENT f. MATenet INSERTS		
DIMENSIONS: MASSEINHEITEN: (MM)			CHK R. Wuerker 01NOV2016	NAME		
TOLERANCES UNLESS OTHERWISE SPECIFIED: ALLGEMEINTOLERANZEN			APVD A. Kettler 03NOV2016	SIZE		
0 PLC ±0.2 1 PLC ±0.1 2 PLC ±0.1 3 PLC ± 4 PLC ±			PRODUCT SPEC 108-94568	DRAWING NO C-2302452		
ANGLES/WINKEL ±2°			APPLICATION SPEC 114-94431	CAGE CODE 00779		
FINISH/OBERFLAECHE/FARBE			VERARBEITUNGSSPEZ. 114-94431	SHEET 5:1		
MATERIAL see table			WEIGHT see table	OF VON 1		
			CUSTOMER DRAWING	REV A3		

Looking for pricing, stock, or lifecycle information?

Click below to explore more details on WIN SOURCE:

 [View 2302452-1](#) on WIN SOURCE

 [TE Connectivity](#) Information

Optimize Your Supply Chain with WIN SOURCE Solutions

-  Global Sourcing Solution
-  Obsolete Management
-  Cost Control Management
-  Shortage Management
-  Alternative Solution
-  Excess Inventory Management