

THIS DRAWING IS UNPUBLISHED.
VERTRAULICHE UNVERÖFFENTLICHTE ZEICHNUNG

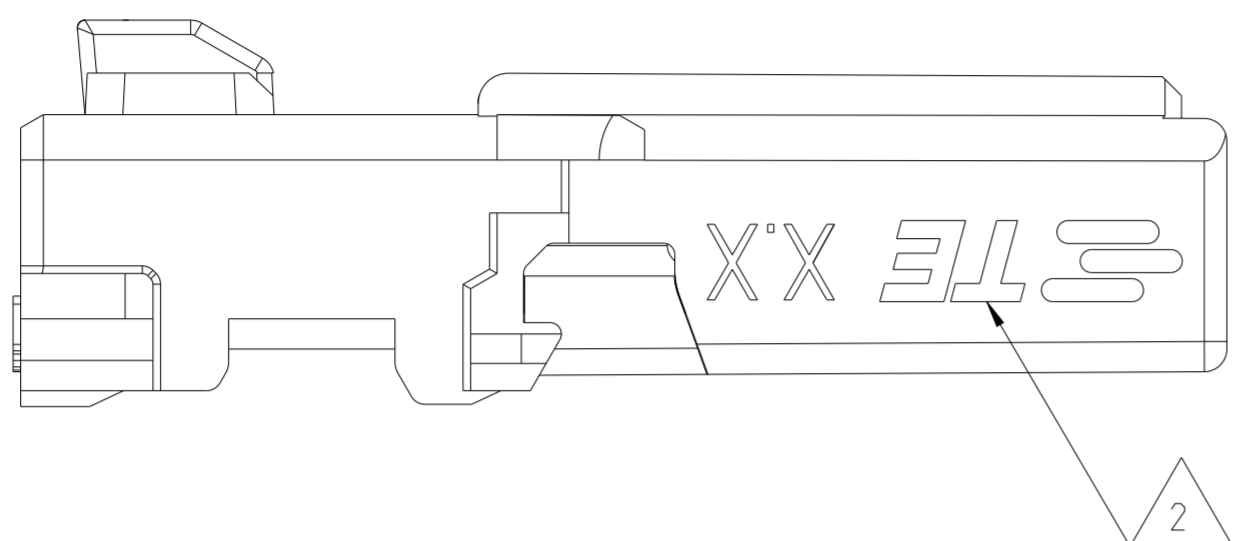
RELEASED FOR PUBLICATION
FREI FUER VERÖFFENTLICHUNG

MATED WITH:
PASSEND ZU:

PROJEKT NR.:

REVISIONS
ÄNDERUNGEN

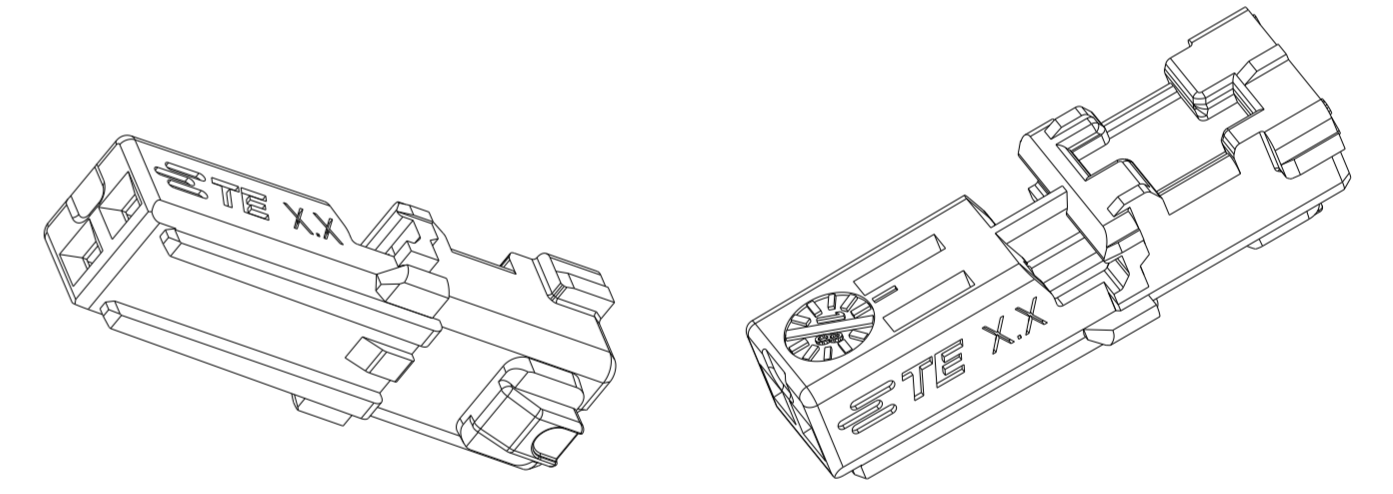
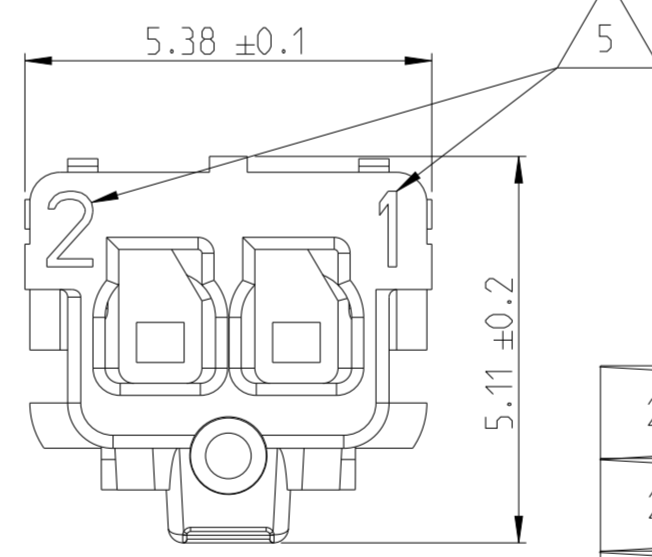
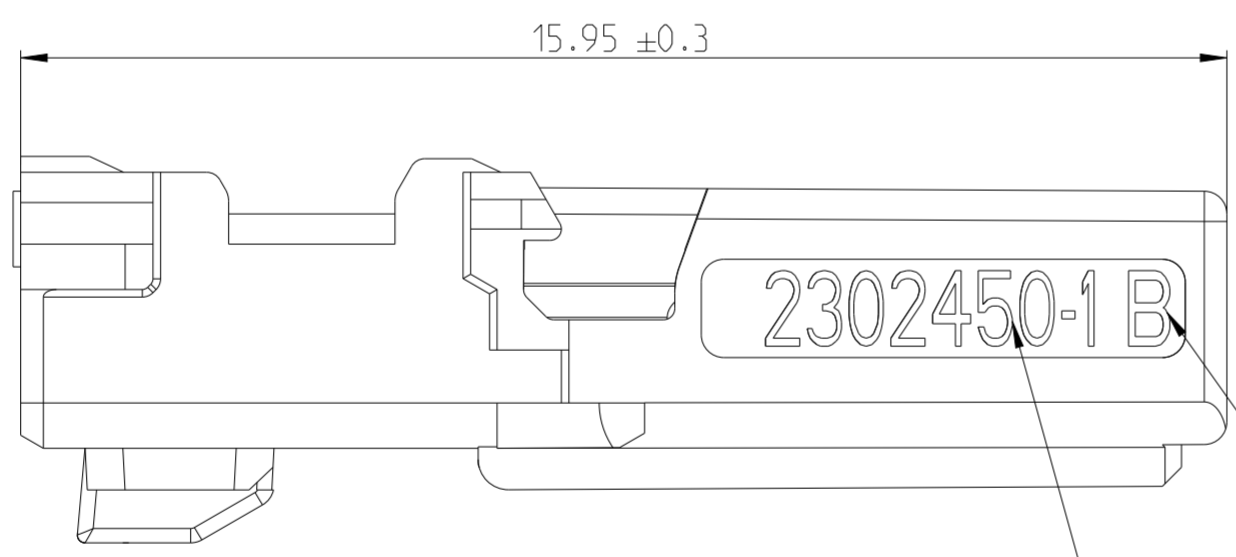
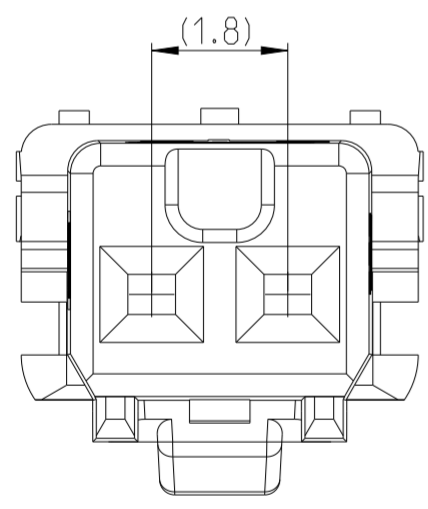
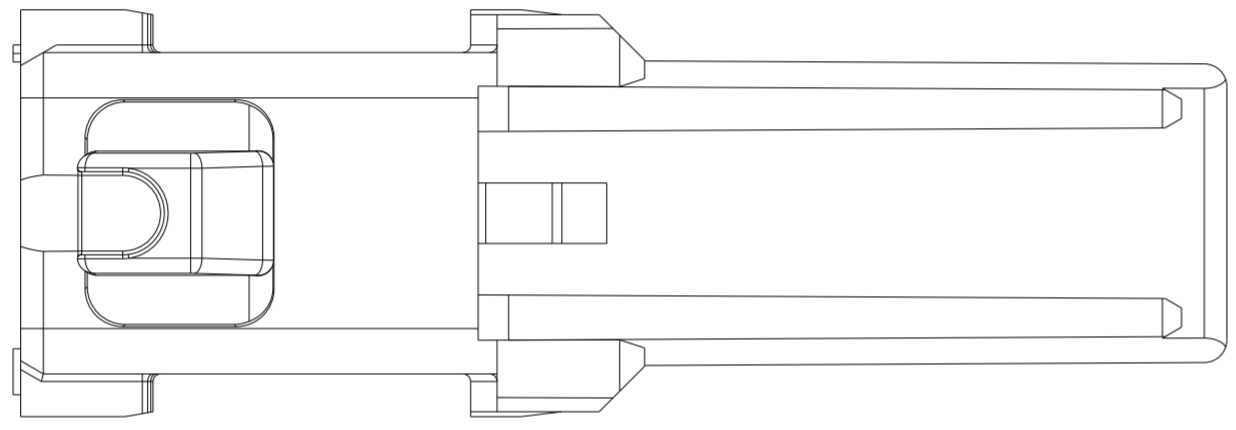
P	LTR	DESCRIPTION BESCHREIBUNG	DATE	DWN	APVD
C		E-18-003849	09APR2018	DK	AK
C1		E-18-008153 Added Variant 1-2302450-1 (Page 2)	28MAY2018	RW	AK
C2		E-18-015417 minor shape update	27SEP2018	RW	AK
C3		PCN-23-188464 obsolete B-Samples	03JAN2024	RW	AK



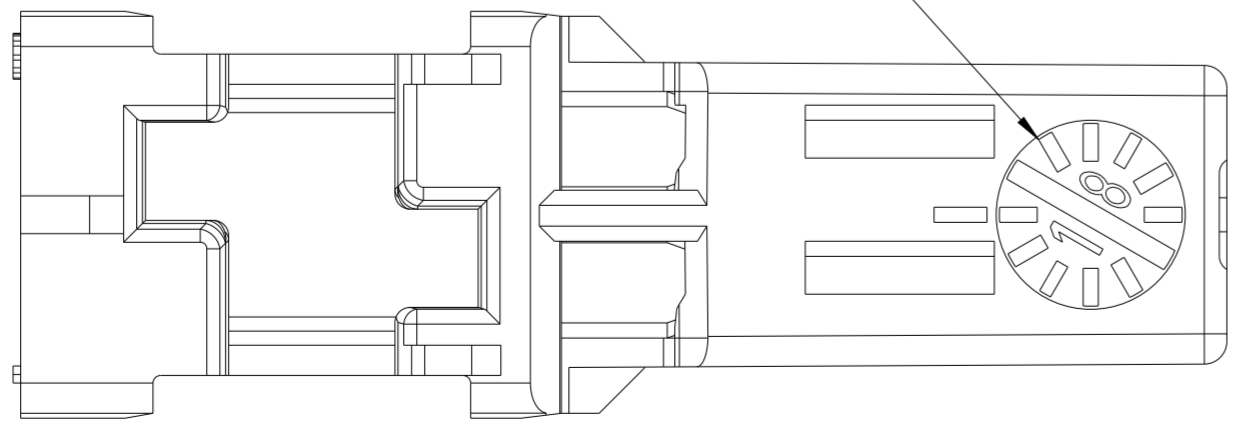
Kammer CAVITY	ALL CAVITIES
Buchsenkontakt SOCKET CONTACT	Nano MQS
max. DGB [mm²] MAX. DGB [mm²]	0.35mm² FLR
max. Isolation Ø MAX. ISOLATION Ø	1.3mm
Zeichnung TE DRAWING TE	1703930

Notizen / NOTES:

- 1 2302450-1 wie dargestellt
2302450-1 AS SHOWN
- 2 TE-Logo
TE-LOGO
- 3 TE Teil Nummer
TE PART NUMBER
- 4 Revisionsstand
PART REVISION
- 5 Kontaktkammernummer
CONTACT CAVITY NUMBER
- 6 Produktionsdatum
PRODUCTION DATE
- 7 Verpackung: Schuetztgut im Beutel im Karton
PACKAGING: LOOSE PIECES IN BAG IN BOX
- 8 zugehoeriger Kontakt siehe Tabelle:
SUITABLE FOR CONTACT SEE TABLE:



2302450-6	B	MATenet 2Pos. NanoMQS, FEMALE INSERT MODUL, violet	0.2	HeatherViolet 4003	
2302450-5	B	MATenet 2Pos. NanoMQS, FEMALE INSERT MODUL, brown	0.2	FawnBrown 8007	
2302450-4	B	MATenet 2Pos. NanoMQS, FEMALE INSERT MODUL, blue	0.2	SignalBlue 5005	
2302450-3	B	MATenet 2Pos. NanoMQS, FEMALE INSERT MODUL, yellow	0.2	CurryYellow 1027	
2302450-2	B	MATenet 2Pos. NanoMQS, FEMALE INSERT MODUL, green	0.2	EmeraldGreen 6001	
2302450-1	B	MATenet 2Pos. NanoMQS, FEMALE INSERT MODUL, black	0.2	Black 9005	
PART No.	Rev.	DESCRIPTION	MATERIAL	WEIGHT [g]	COLOUR similar RAL



THIS DRAWING IS A CONTROLLED DOCUMENT. DIMENSIONING AND TOLERANCING PER GPS (ISO STANDARDS)

DWN: J. KIESSWEITER 16AUG2016
CHK: R. WUERKER 16AUG2016
APVD: A. KETTLER 29AUG2016

TE Connectivity

MATenet, 2Pos., nanoMQS, FEMALE INSERT MODUL

SIZE: A2 CAGE CODE: 00779 DRAWING NO: C-2302450

SCALE: 5:1 SHEET: 1 OF 3 REV: C3

THIS DRAWING IS UNPUBLISHED
VERTRAGLICHE UNVERÖFFENTLICHTE ZEICHNUNG
© COPYRIGHT 2024 BY TE Connectivity Germany GmbH

RELEASED FOR PUBLICATION
FREI FÜR VERÖFFENTLICHUNG
ALL RIGHTS RESERVED.
ALLE RECHTE VORBEHALTEN:

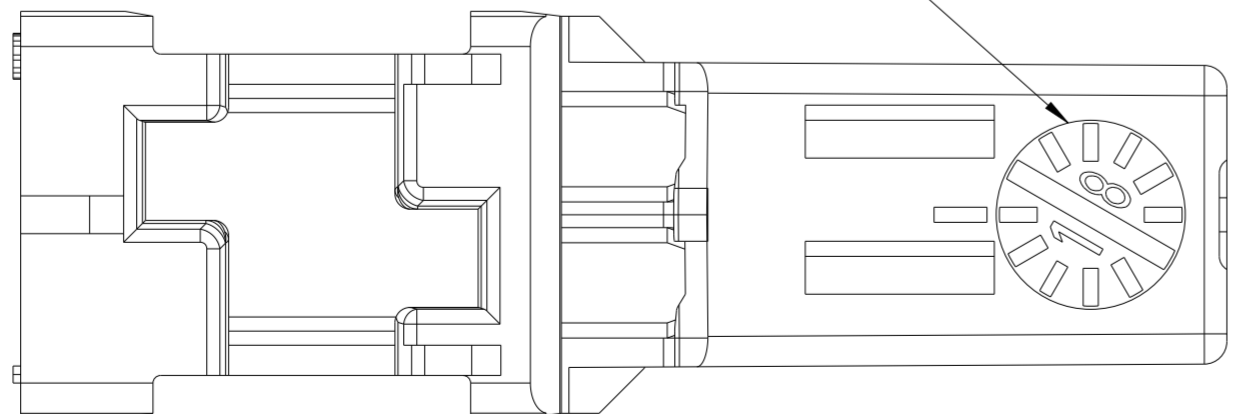
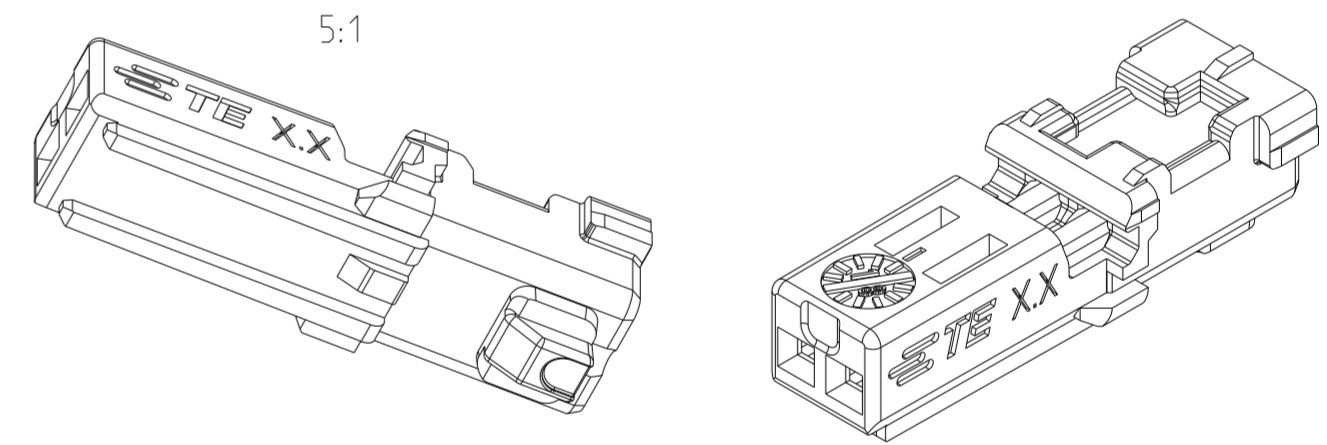
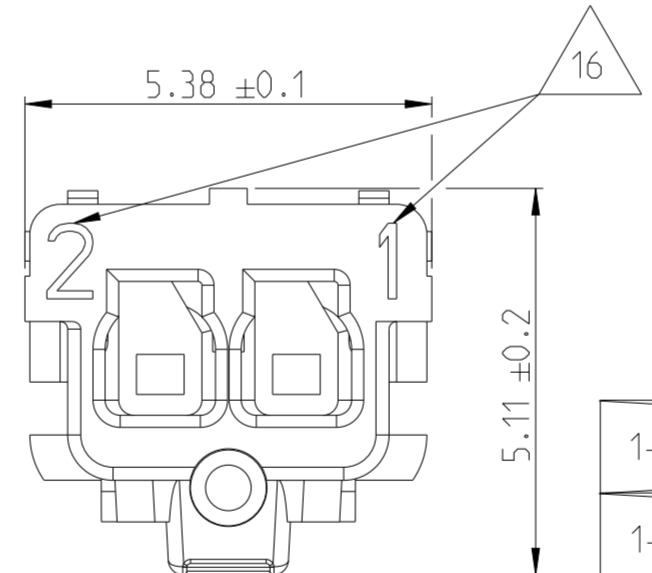
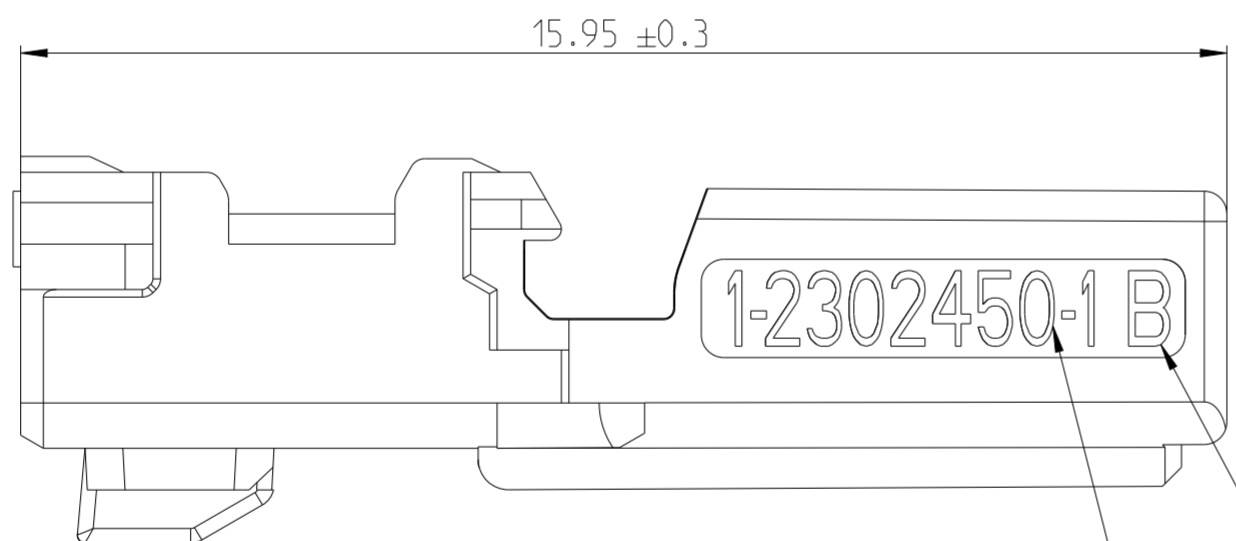
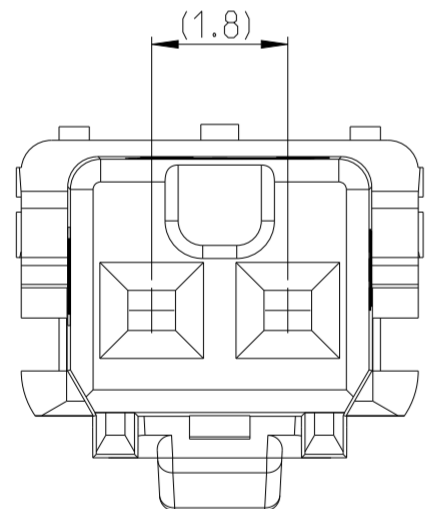
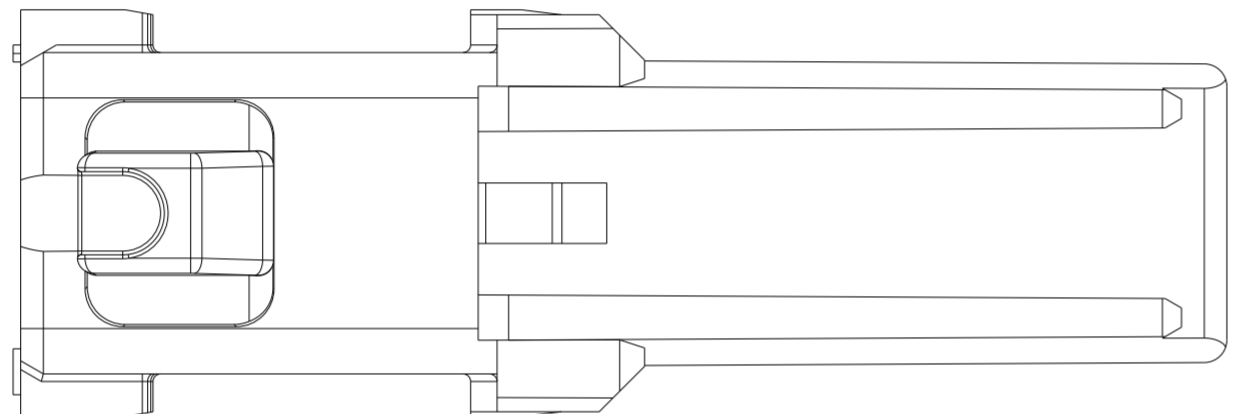
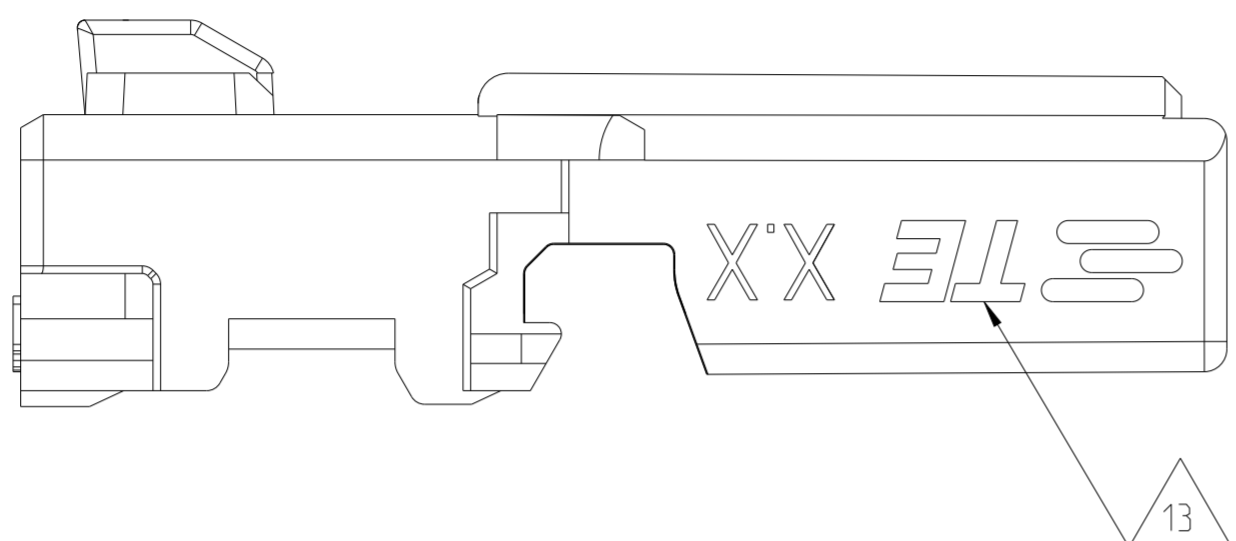
MATED WITH
PASSEND ZU:

PROJEKT NR.:		REVISIONS ÄNDERUNGEN			
P	LTR	DESCRIPTION BESCHREIBUNG	DATE	DWN	APVD
-	-	SEE SHEET 1	-	-	-

Notizen / NOTES:

- 11 1-2302450-1 wie dargestellt
1-2302450-1 AS SHOWN
- 12 Sondervariante, nicht fuer PoDL Anwendungen geeignet
SPECIAL VARIANT, NOT SUITABLE FOR PoDL APPLICATIONS
- 13 TE-Logo
TE-LOGO
- 14 TE Teil Nummer
TE PART NUMBER
- 15 Revisionsstand
PART REVISION
- 16 Kontaktkammernummer
CONTACT CAVITY NUMBER
- 17 Produktionsdatum
PRODUCTION DATE
- 18 Verpackung: Schuettgut im Beutel im Karton
PACKAGING: LOOSE PIECES IN BAG IN BOX
- 19 zugehoeriger Kontakt siehe Tabelle:
SUITABLE FOR CONTACT SEE TABLE:

Kammer CAVITY	ALL CAVITIES
Buchsenkontakt SOCKET CONTACT	Nano MQS
max. DGB [mm ²] MAX. DGB [mm ²]	0.35mm ² FLR
max. Isolation Ø MAX. ISOLATION Ø	1.3mm
Zeichnung TE DRAWING TE	1703930



PART No.	Rev.	DESCRIPTION	MATERIAL	WEIGHT [g]	COLOUR similar RAL
1-2302450-6	B	MATeNet 2Pos. NanoMQS, FEMALE INSERT MODUL, violet	PA66-GF30 0% regrind	0.2	HeatherViolet 4003
1-2302450-5	B	MATeNet 2Pos. NanoMQS, FEMALE INSERT MODUL, brown	PA66-GF30 0% regrind	0.2	FawnBrown 8007
1-2302450-4	B	MATeNet 2Pos. NanoMQS, FEMALE INSERT MODUL, blue	PA66-GF30 0% regrind	0.2	SignalBlue 5005
1-2302450-3	B	MATeNet 2Pos. NanoMQS, FEMALE INSERT MODUL, yellow	PA66-GF30 0% regrind	0.2	CurryYellow 1027
1-2302450-2	B	MATeNet 2Pos. NanoMQS, FEMALE INSERT MODUL, green	PA66-GF30 0% regrind	0.2	EmeraldGreen 6001
1-2302450-1	B	MATeNet 2Pos. NanoMQS, FEMALE INSERT MODUL, black	PA66-GF30 0% regrind	0.2	Black 9005

THIS DRAWING IS A CONTROLLED DOCUMENT. DIMENSIONING AND TOLERANCING PER GPS (ISO STANDARDS)

DWN J. KIESSWEITNER 16 AUG 2016	CHK R. WUERKER 16 AUG 2016	APVD A. KEITLER 29 AUG 2016	NAME MATeNet, 2Pos., nanoMQS, FEMALE INSERT MODUL
DIMENSIONS: MASSEINHEITEN: (MM)		TOLERANCES UNLESS OTHERWISE SPECIFIED: ALLGEMEINTOLERANZEN	
MATERIAL see table		FINISH/OBERFLAECHE/FARBE	

SIZE A2	CAGE CODE 00779	DRAWING NO. ZEICHNUNGS-NR. C-2302450	RESTRICTED TO NUR FÜR
CUSTOMER DRAWING		SCALE MASSSTAB 10:1	SHEET BLATT 2 OF 3

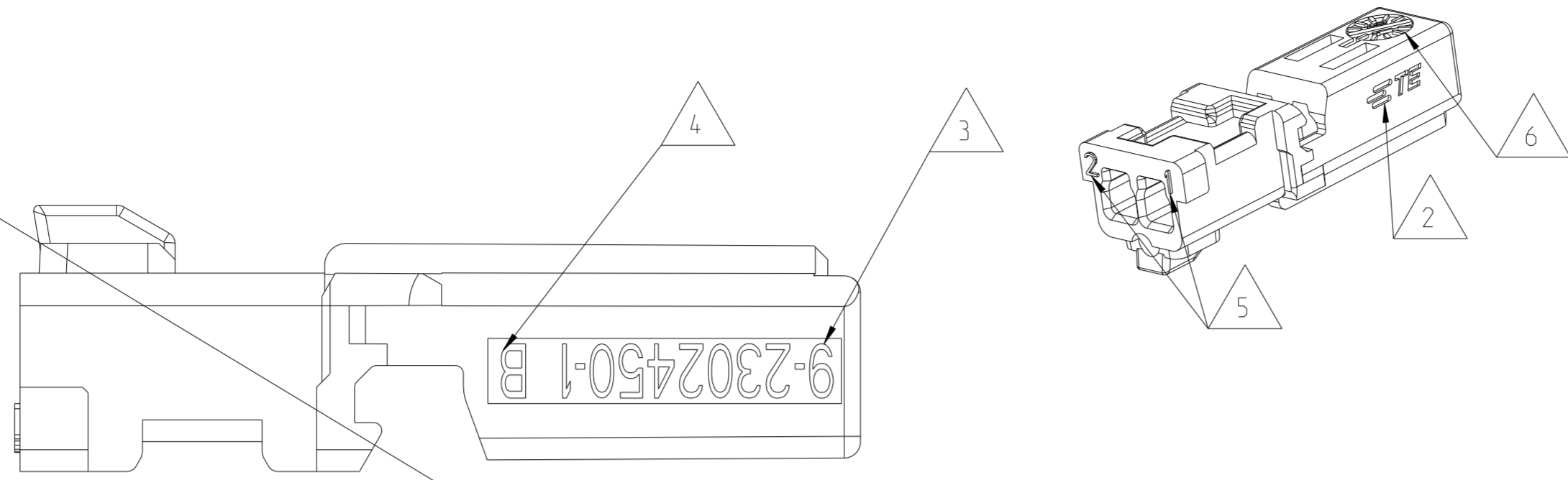
TE Connectivity

THIS DRAWING IS UNPUBLISHED.
 VERTRAULICHE UNVERÖFFENTLICHTE ZEICHNUNG
 COPYRIGHT 2024 BY TE Connectivity Germany GmbH

RELEASED FOR PUBLICATION
 FREI FUER VERÖFFENTLICHUNG
 ALL RIGHTS RESERVED.
 ALLE RECHTE VORBEHALTEN.

MATED WITH:
 PASSEND ZU:

PROJEKT NR.:		REVISIONS ÄNDERUNGEN			
P	LTR	DESCRIPTION BESCHREIBUNG	DATE	DWN	APVD
-	-	SEE SHEET 1	-	-	-

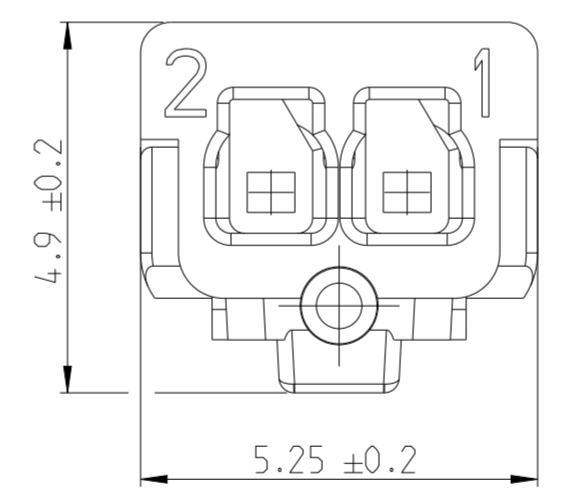
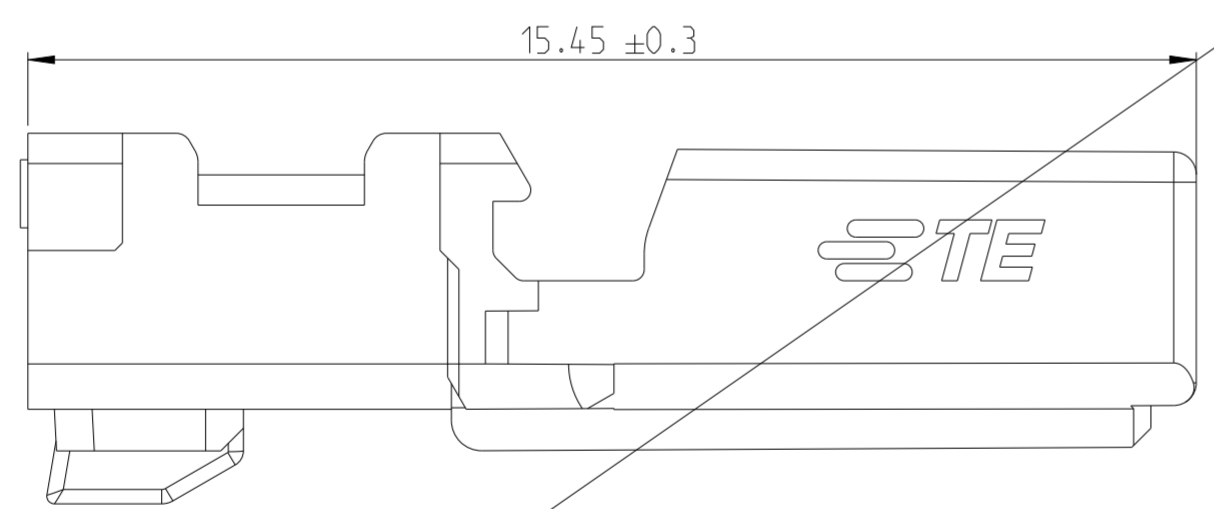
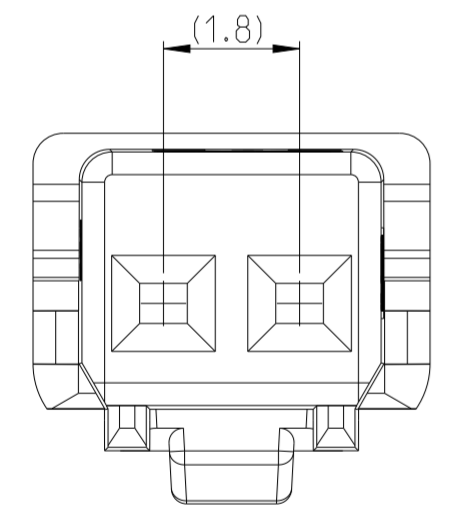


Notizen / NOTES:

- 1 9-2302450-1 wie dargestellt
9-2302450-1 AS SHOWN
- 2 TE-Logo
TE-LOGO
- 3 TE Teil Nummer
TE PART NUMBER
- 4 Revisionsstand
PART REVISION
- 5 Kontaktkammernummer
CONTACT CAVITY NUMBER
- 6 Produktionsdatum
PRODUCTION DATE
- 7 Verpackung: Schuettgut im Beutel im Karton
PACKAGING: LOOSE PIECES IN BAG IN BOX
- 8 zugehoeriger Kontakt siehe Tabelle:
SUITABLE FOR CONTACT SEE TABLE:

Kammer CAVITY	ALL CAVITIES
Buchsenkontakt SOCKET CONTACT	Nano MQS
max. DGB [mm ²] MAX. DGB [mm ²]	0.35mm ² FLR
max. Isolation Ø MAX. ISOLATION Ø	1.3mm
Zeichnung TE DRAWING TE	1703930

**NUR FUER B-MUSTER
FOR PROTOTYPE B-SAMPLES ONLY**



OBSOLETE

9-2302450-6	B	MATenet 2Pos. NanoMQS, FEMALE INSERT MODUL, violet	0.21	HeatherViolet 4003	
9-2302450-5	B	MATenet 2Pos. NanoMQS, FEMALE INSERT MODUL, brown	0.21	FawnBrown 8007	
9-2302450-4	B	MATenet 2Pos. NanoMQS, FEMALE INSERT MODUL, blue	0.21	SignalBlue 5005	
9-2302450-3	B	MATenet 2Pos. NanoMQS, FEMALE INSERT MODUL, yellow	0.21	CurryYellow 1027	
9-2302450-2	B	MATenet 2Pos. NanoMQS, FEMALE INSERT MODUL, green	0.21	EmeraldGreen 6001	
9-2302450-1	B	MATenet 2Pos. NanoMQS, FEMALE INSERT MODUL, black	0.21	Black 9005	
PART No.	Rev.	DESCRIPTION	MATERIAL	WEIGHT [g]	COLOUR similar RAL

THIS DRAWING IS A CONTROLLED DOCUMENT. DIMENSIONING AND TOLERANCING PER GPS (ISO STANDARDS).

DWN: J. KIESSWEITER 16AUG2016
 CHK: R. WUERKER 16AUG2016
 APVD: A. KETTLER 29AUG2016

TE Connectivity

MATenet, 2Pos., nanoMQS, FEMALE INSERT MODUL

SIZE: A2 CAGE CODE: 00779 DRAWING NO: C-2302450

SCALE: 5:1 SHEET: 3 OF 3 REV: C3

Looking for pricing, stock, or lifecycle information?

Click below to explore more details on WIN SOURCE:

 [View 2302450-1](#) on WIN SOURCE

 [TE Connectivity](#) Information

Optimize Your Supply Chain with WIN SOURCE Solutions

-  Global Sourcing Solution
-  Obsolete Management
-  Cost Control Management
-  Shortage Management
-  Alternative Solution
-  Excess Inventory Management