

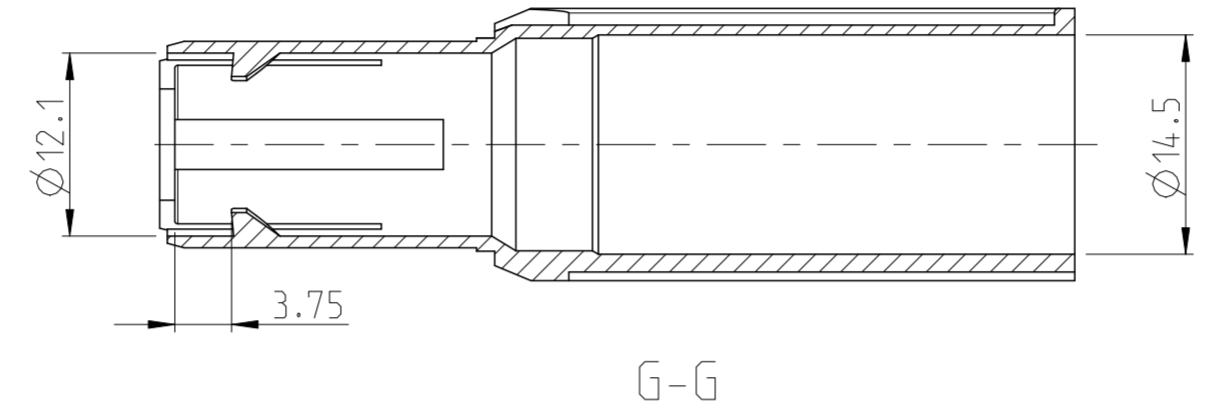
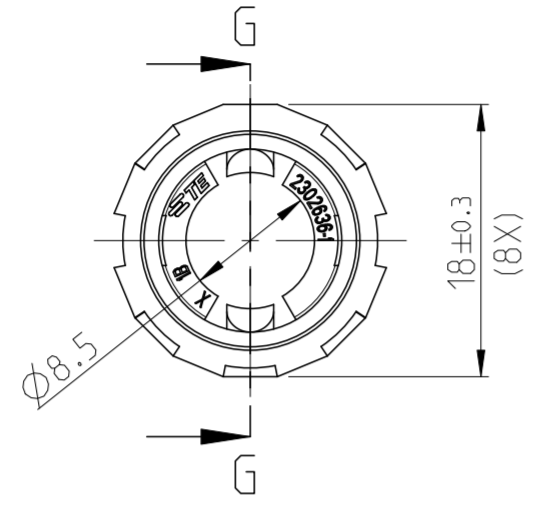


**THE DATASHEET OF**  
**2302636-1**



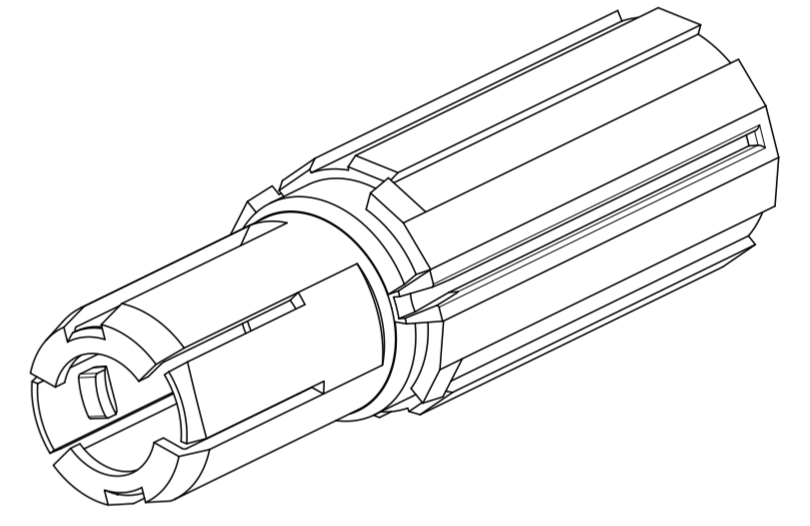
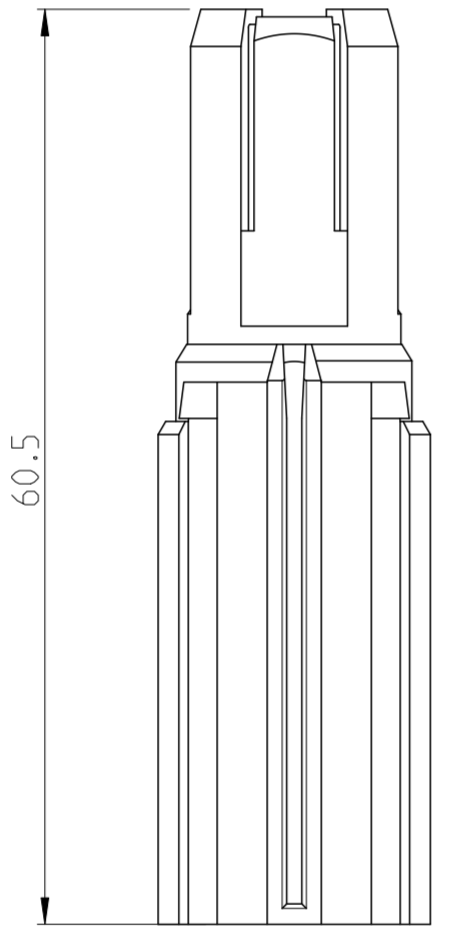
THIS DRAWING IS UNPUBLISHED. RELEASED FOR PUBLICATION 2011  
 © COPYRIGHT 2011 ALL RIGHTS RESERVED.

LOC		DIST		REVISIONS			
P	LTR	DESCRIPTION	DATE	DWN	APVD		
	A	RELEASED	11SEP16	JL	IY		
	A1	REVISED ECO-16-017008	13APR17	JL	IY		



NOTES:

- 1 PACKAGING: BULK PACKAGING IN PLASTIC BAG AND SHIPPING BOX



-1 AS SHOWN

2302636-1	INSULATION INSERT 8MM HV.180 DEG	PA66-GF V0 FIRE RETARDANT	GRAY
TE-PART-NO.	DESCRIPTION	MATERIAL	COLOUR
THIS DRAWING IS A CONTROLLED DOCUMENT.		DWN JLL 14 APR 2016	TE Connectivity NAME INSULATION INSERT 8MM HV,180 DEG
DIMENSIONS: mm		CHK XX.LI 14 APR 2016	
TOLERANCES UNLESS OTHERWISE SPECIFIED:		APVD I.YIN 11 SEP 2016	
0 PLC ±0.4 1 PLC ± 2 PLC ± 3 PLC ± 4 PLC ± ANGLES ± FINISH		PRODUCT SPEC APPLICATION SPEC	
MATERIAL		WEIGHT	SIZE A2
		Customer Drawing	CAGE CODE 00779
			DRAWING NO G-2302636
			RESTRICTED TO -
			SCALE 2:1
			SHEET 1 OF 1
			REV A1

## Looking for pricing, stock, or lifecycle information?

Click below to explore more details on WIN SOURCE:

 [View 2302636-1](#) on WIN SOURCE

 [TE Connectivity](#) Information

## Optimize Your Supply Chain with WIN SOURCE Solutions

-  Global Sourcing Solution
-  Obsolete Management
-  Cost Control Management
-  Shortage Management
-  Alternative Solution
-  Excess Inventory Management