



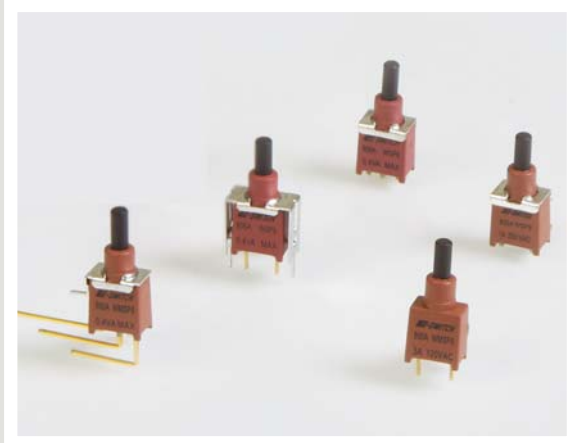
**THE DATASHEET OF
800AWSP9M6RE**





SERIES 800A SWITCHES

PUSHBUTTON SWITCHES - SUB-MINIATURE



SPECIFICATIONS

| | |
|------------------------|---|
| Contact Rating: | 3A @ 120 VAC or 28 VDC 1A @ 250 VAC |
| Life Expectancy: | 50,000 cycles typical |
| Contact Resistance: | 10mΩ 1 max. typical @ 2-4 VDC 100mA for both silver and gold plated contacts |
| Insulation Resistance: | 1,000MΩ 1min. |
| Dielectric Strength: | 1,000 V rms @ sea level |
| Actuation Force: | 200 ± 50 gf |
| Operating Temperature: | -30°C to +85°C |

MATERIALS

| | |
|-----------|--|
| Case: | Diallyl Phthalate (DAP) |
| Plunger: | Glass filled nylon or glass filled polyester |
| Bushing: | Diallyl Phthalate (DAP) |
| Housing: | Stainless steel |
| Contacts: | Silver or Gold plated copper alloy |

FEATURES & BENEFITS

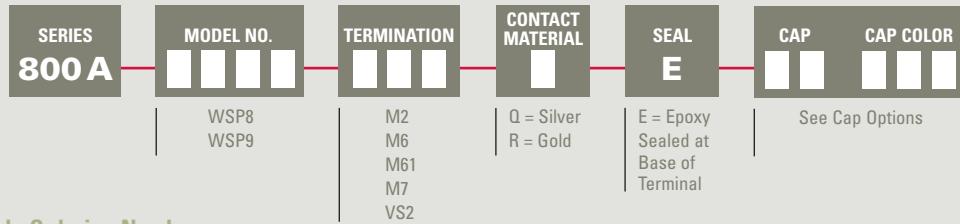
- ▶ Subminiature design
- ▶ Butt contact design
- ▶ IP-67 sealed option

APPLICATIONS/MARKETS

- ▶ Telecommunications
- ▶ Networking
- ▶ Computers/servers
- ▶ Performance audio
- ▶ Instrumentation
- ▶ Low power on/off designs
- ▶ External hard drives and modems



HOW TO ORDER



Example Ordering Number
800A-WSP9-M7-R-E

Specifications subject to change without notice 1.8.2018

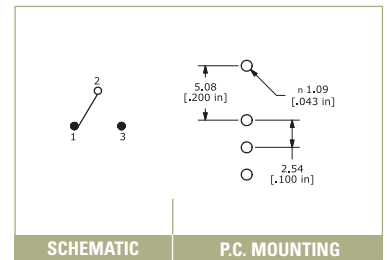
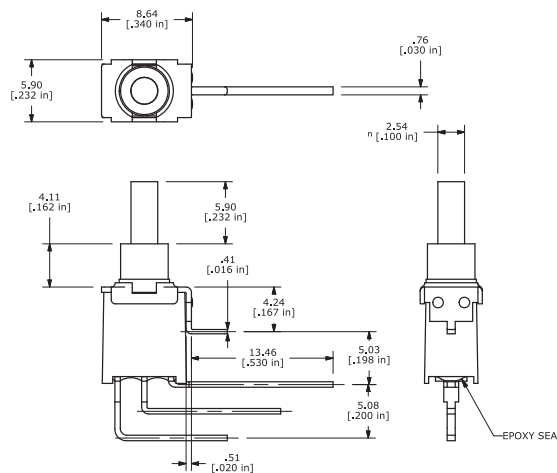
SPDT

WSP8



| Model No. | Type |
|-----------|----------|
| WSP8 | ON (ON) |
| WSP9 | OFF (ON) |

() = Momentary



SERIES 800A SWITCHES

PUSHBUTTON SWITCHES - SUB-MINIATURE

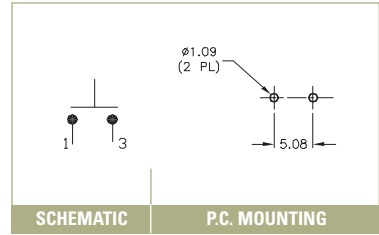
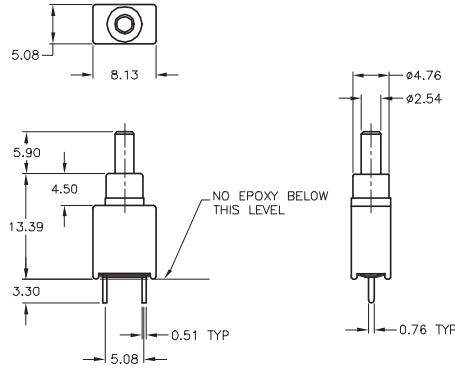
TACT SWITCHES

NAVIGATION SWITCHES

PUSHBUTTON SWITCHES

SPST

WSP9



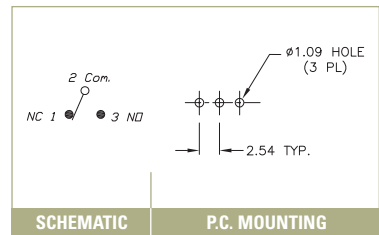
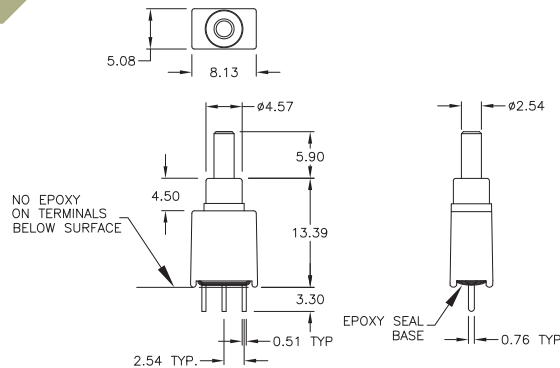
TOGGLE SWITCHES

ROCKER SWITCHES

SLIDE SWITCHES

M2

SPST



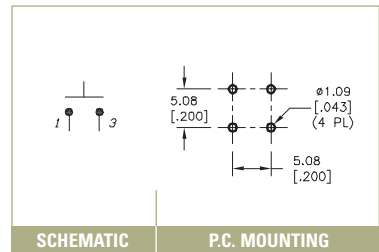
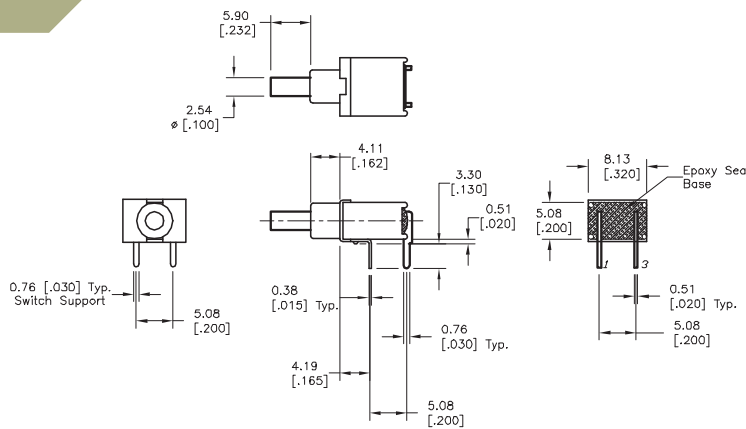
SNAP-ACTION SWITCHES

DIP SWITCHES

KEYLOCK SWITCHES

M6

SPST



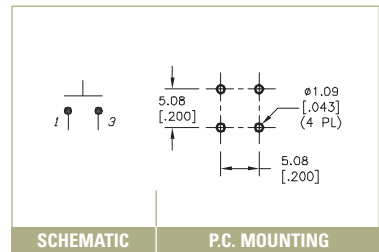
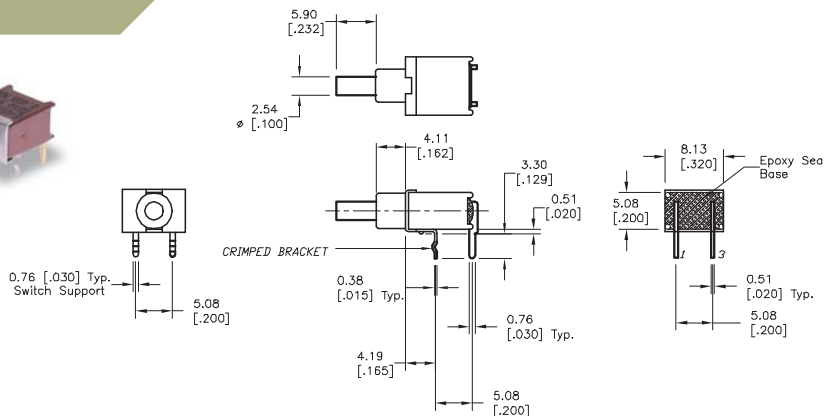
ROTARY SWITCHES

DETECTOR SWITCHES

CAP OPTIONS

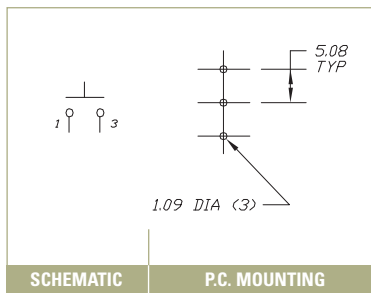
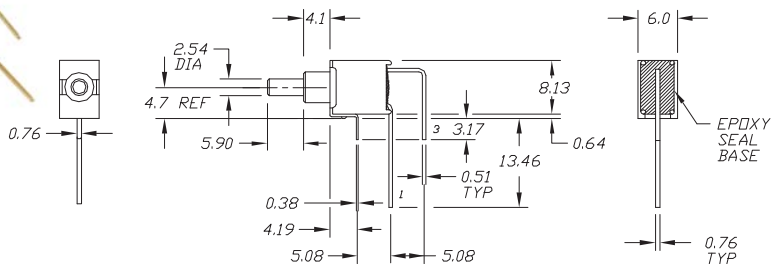
M61

SPST



M7

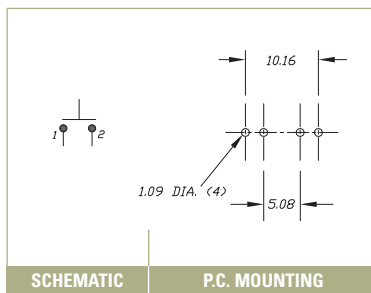
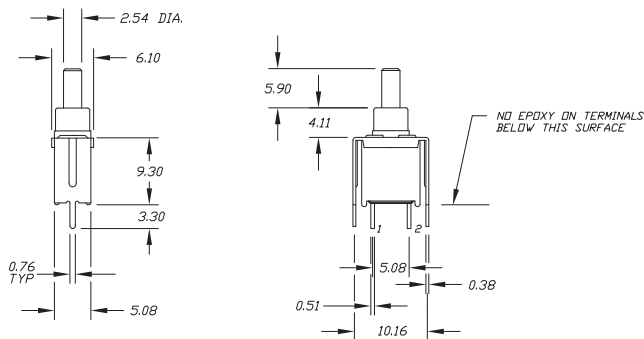
SPST



SCHEMATIC | P.C. MOUNTING

VS2

SPST



SCHEMATIC | P.C. MOUNTING

CONTACT MATERIAL OPTIONS

Q

| | |
|-----------------|--|
| Fixed Terminal: | Silver plated copper alloy |
| Moving Contact: | Silver plated copper alloy |
| Rating: | 3A @ 120 VAC or 28 VDC 1A @ 250 VAC |

R

| | |
|-----------------|--|
| Fixed Terminal: | Copper alloy with gold plate over nickel plate |
| Moving Contact: | Copper alloy with gold plate over nickel plate |
| Rating: | 0.4 VA max. @ 20 VAC or DC max. |





Looking for pricing, stock, or lifecycle information?

Click below to explore more details on WIN SOURCE:

 [View 800AWSP9M6RE](#) on WIN SOURCE

 [E-SWITCH](#) Information

Optimize Your Supply Chain with WIN SOURCE Solutions

-  Global Sourcing Solution
-  Obsolete Management
-  Cost Control Management
-  Shortage Management
-  Alternative Solution
-  Excess Inventory Management