



THE DATASHEET OF
50-00035



Operating Temperature Range
-25° to 70° C, relative humidity of 85% or less

Materials

1. Shell, C3604 brass, 2 µm nickel plated
2. Spring contact: C5191 phosphor bronze, 2 µm nickel plated
3. Solder tab: C2680 brass, 2 µm nickel plated
4. Insulator: PBT + 15%GF, black
5. Spring fork: brass, C5191 phosphor bronze, 2 µm nickel plated
6. Spring fork: C5191 phosphor bronze, 1 µ" gold plated

Electrical Requirements

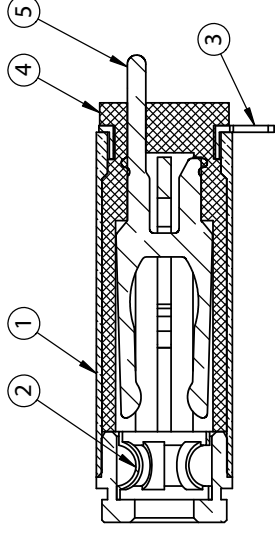
Dielectric strength: 1 min @ 500 Vac
Insulation resistance: 100 MΩ @ 500 Vdc
Contact resistance: 50 mΩ or less

Mechanical Requirements

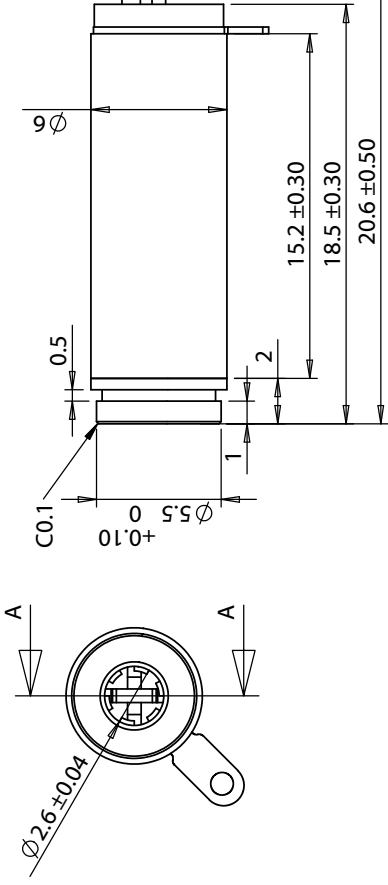
Insertion force: 0.4-4 kgf
Withdrawal force: 0.4-4 kgf
Life cycle: 5000 mating cycles while maintaining 0.3 kgf min.
Insertion force, 0.3 kgf min. withdrawal force and less than 100 mΩ contact resistance.

Environmental Requirements

Heat test: 70 °C, relative humidity 70-85% for 96 hours without deformation
Humidity test: 40 °C, relative humidity 90-100% for 96 hours without deformation
Salt spray test: 35±2 °C, relative humidity 90-95%, 5% NaCl mist for 24 hrs. Wash parts after test. Maintain mechanical requirements and a contact resistance of less than 80 mΩ.



SECTION A-A
SCALE 3 : 1



| Revision: | Date: | Description: |
|-----------|-----------|-------------------|
| A | 9/4/2009 | Initial release |
| A1 | 5/21/2012 | Updated materials |
| | | |
| | | |
| | | |

| Prepared: | Verified: |
|-----------|--|
| | Dimensions are in millimeters. Tolerances: X: ± 0.5 mm XX: ± 0.3 mm XXX: ± 0.05 mm |

| Notes: |
|---|
| RoHS and REACH compliant |
| Function test: no open, no short circuit, no intermittent |
| Description: Connector, stereo jack, 2.5xL20.6 mm, brass, nickel plated, molding style |

5 1 4 3 2


TE

tel 1.5
fax 1.5

Part: A 50
Size: A
Scale: 5:

Looking for pricing, stock, or lifecycle information?

Click below to explore more details on WIN SOURCE:

-  [View 50-00035 on WIN SOURCE](#)
-  [Tensility International Corp](#) Information

Optimize Your Supply Chain with WIN SOURCE Solutions

-  Global Sourcing Solution
-  Obsolete Management
-  Cost Control Management
-  Shortage Management
-  Alternative Solution
-  Excess Inventory Management