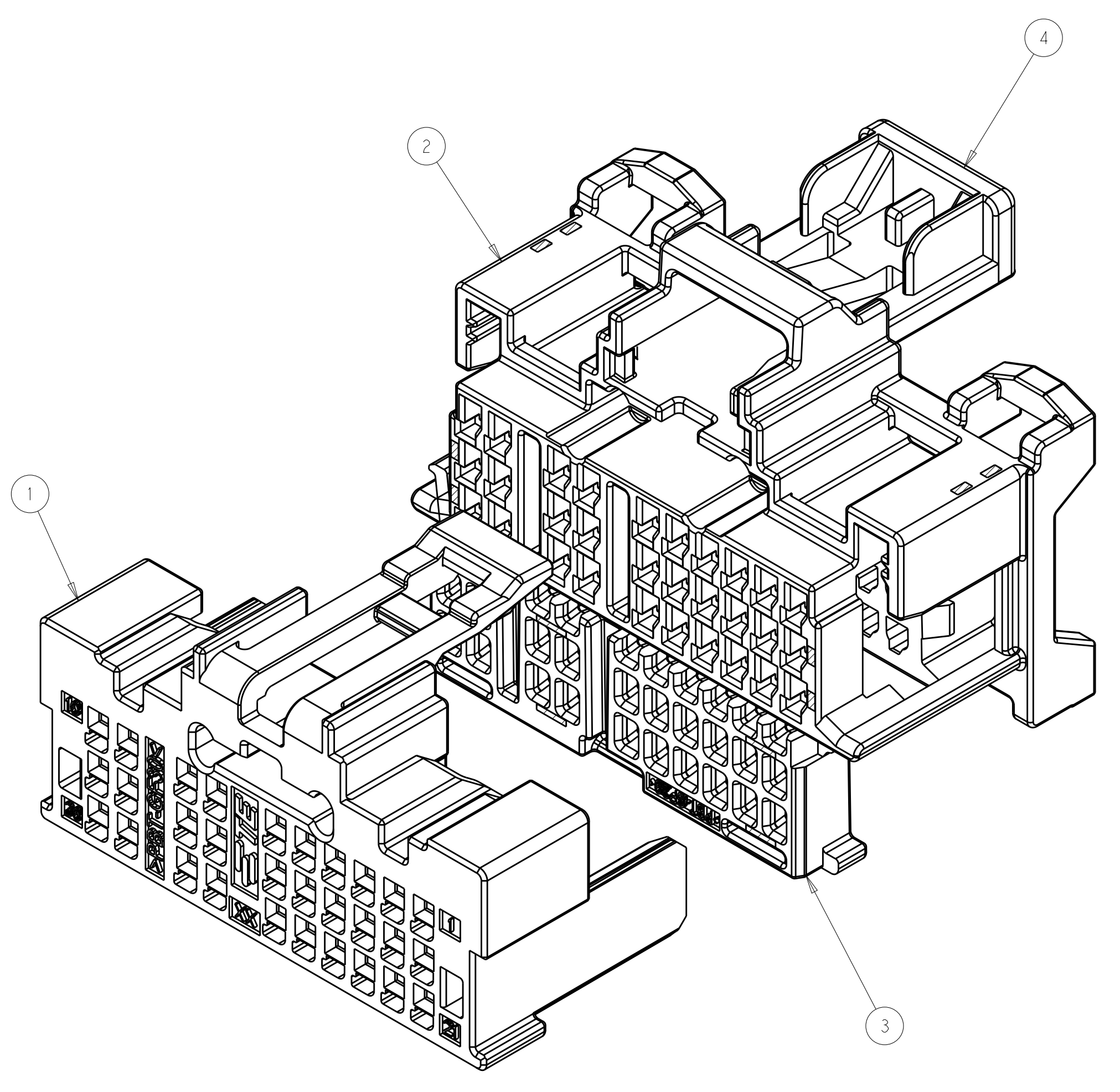
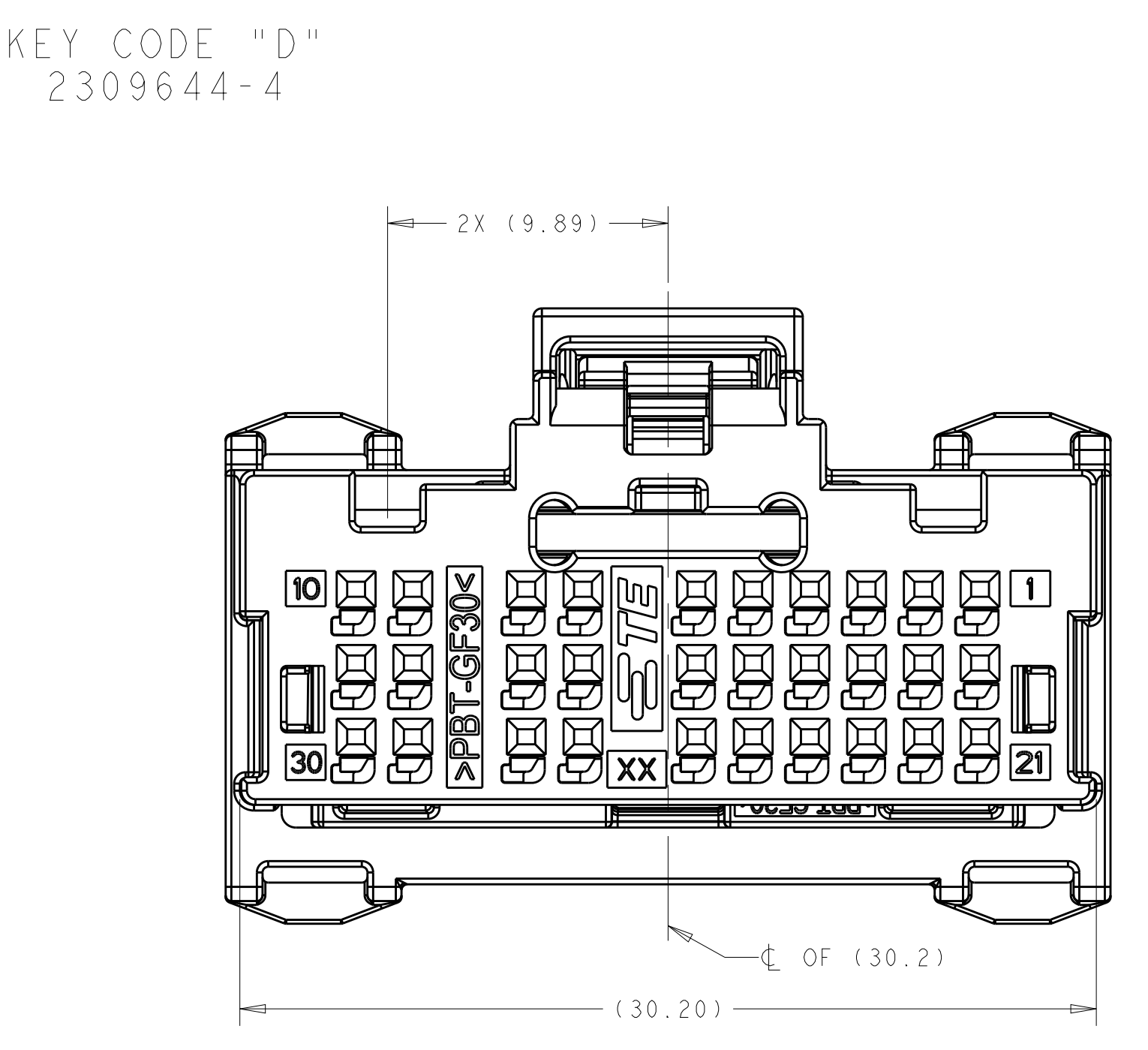
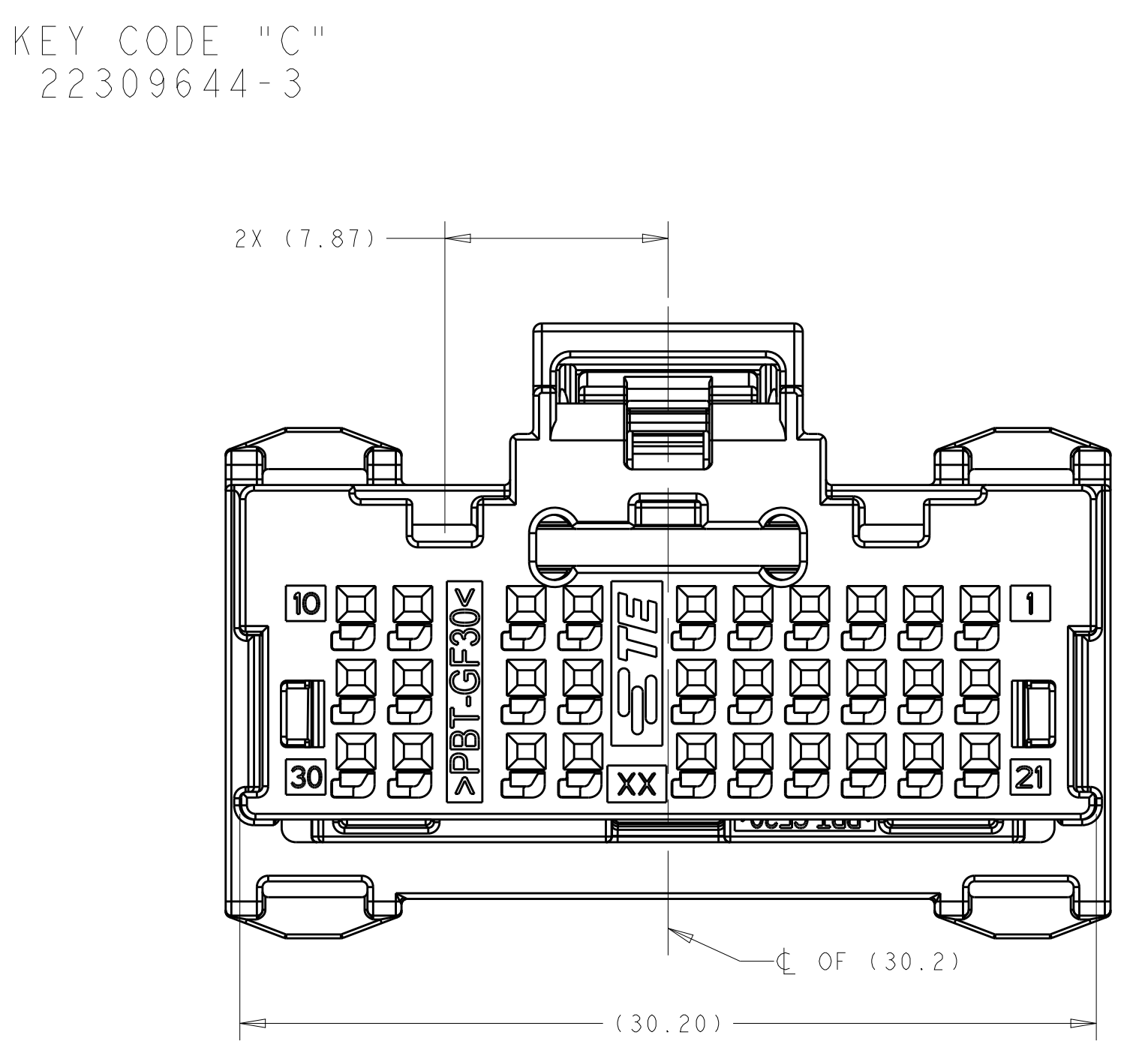
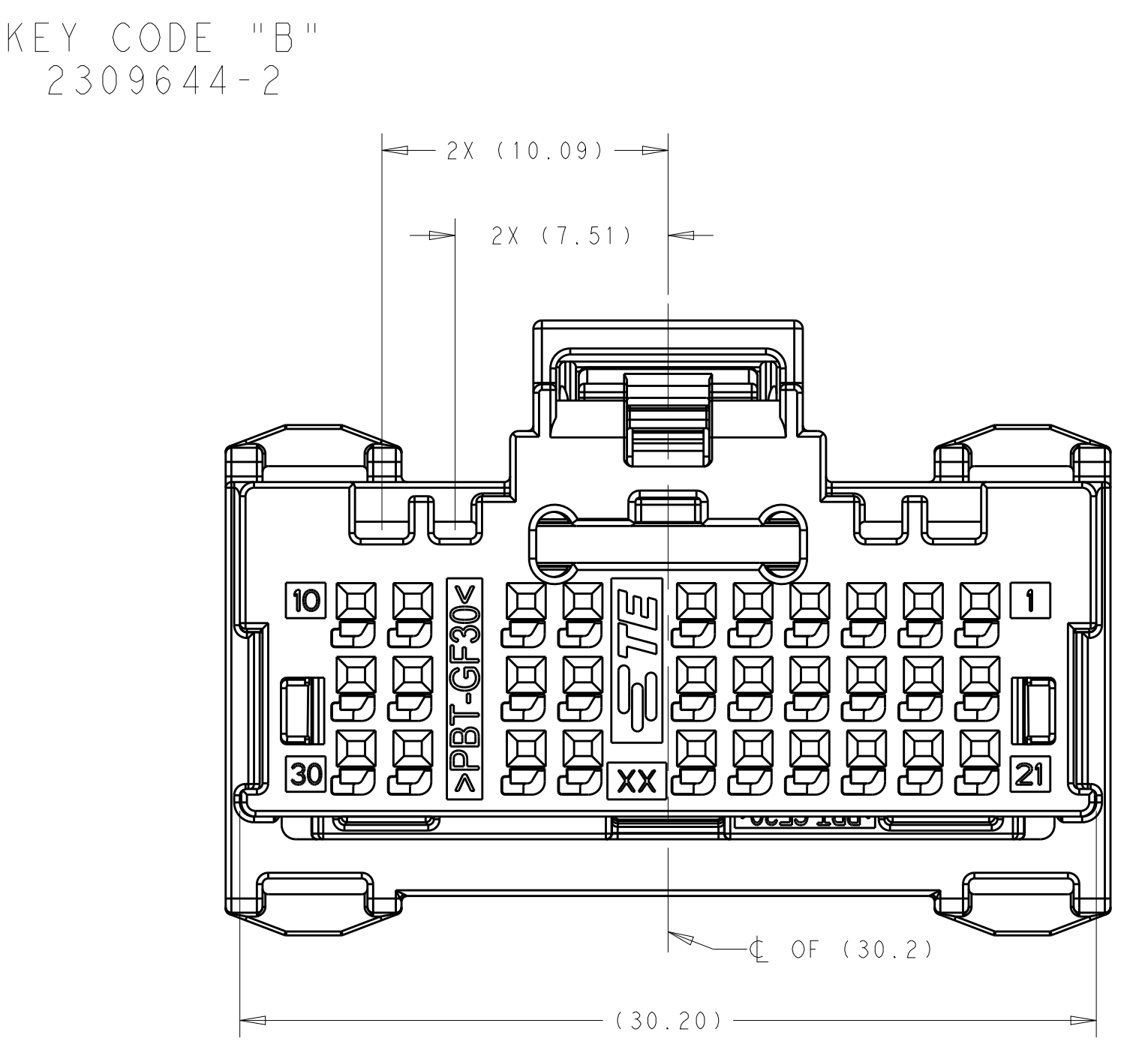
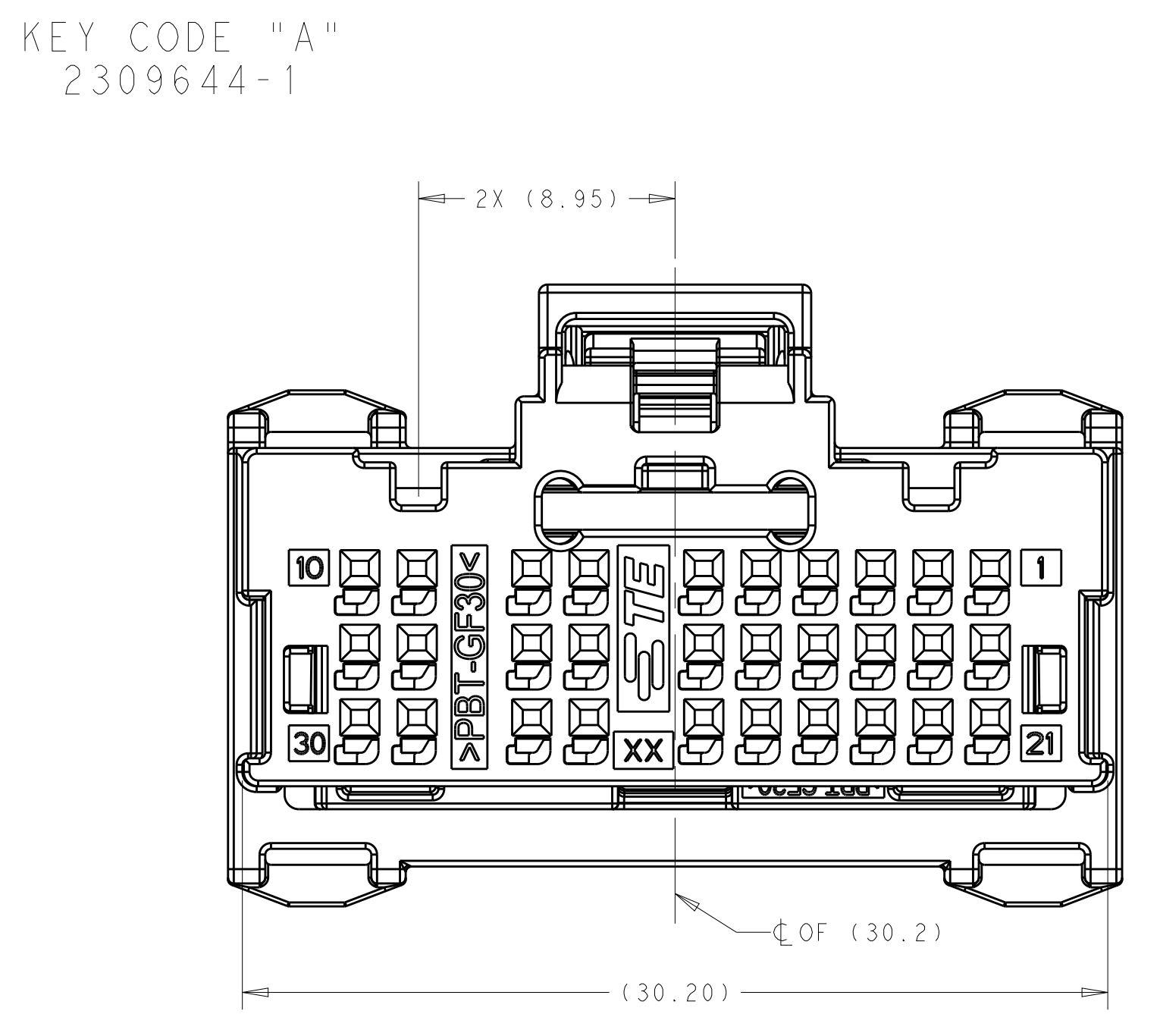


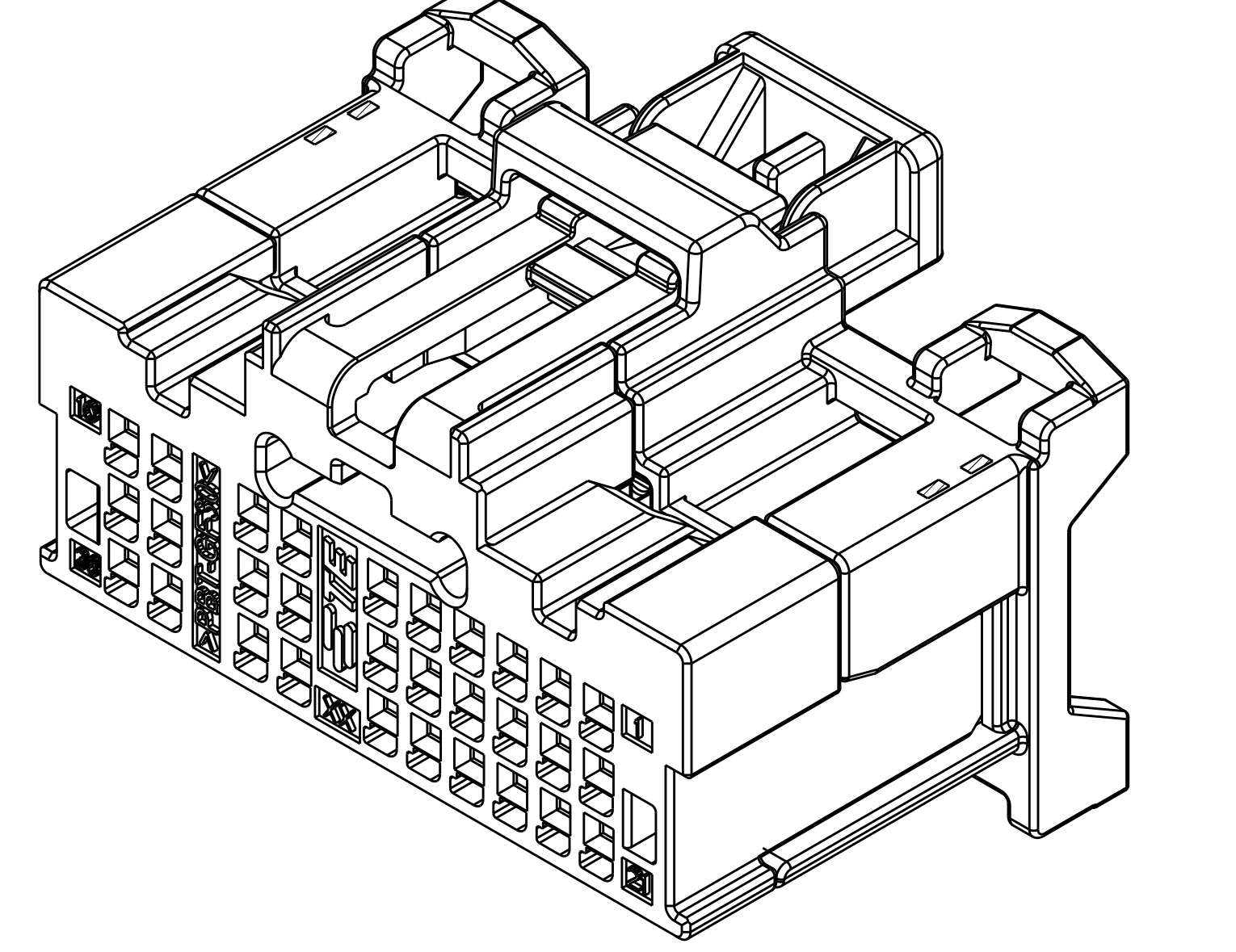
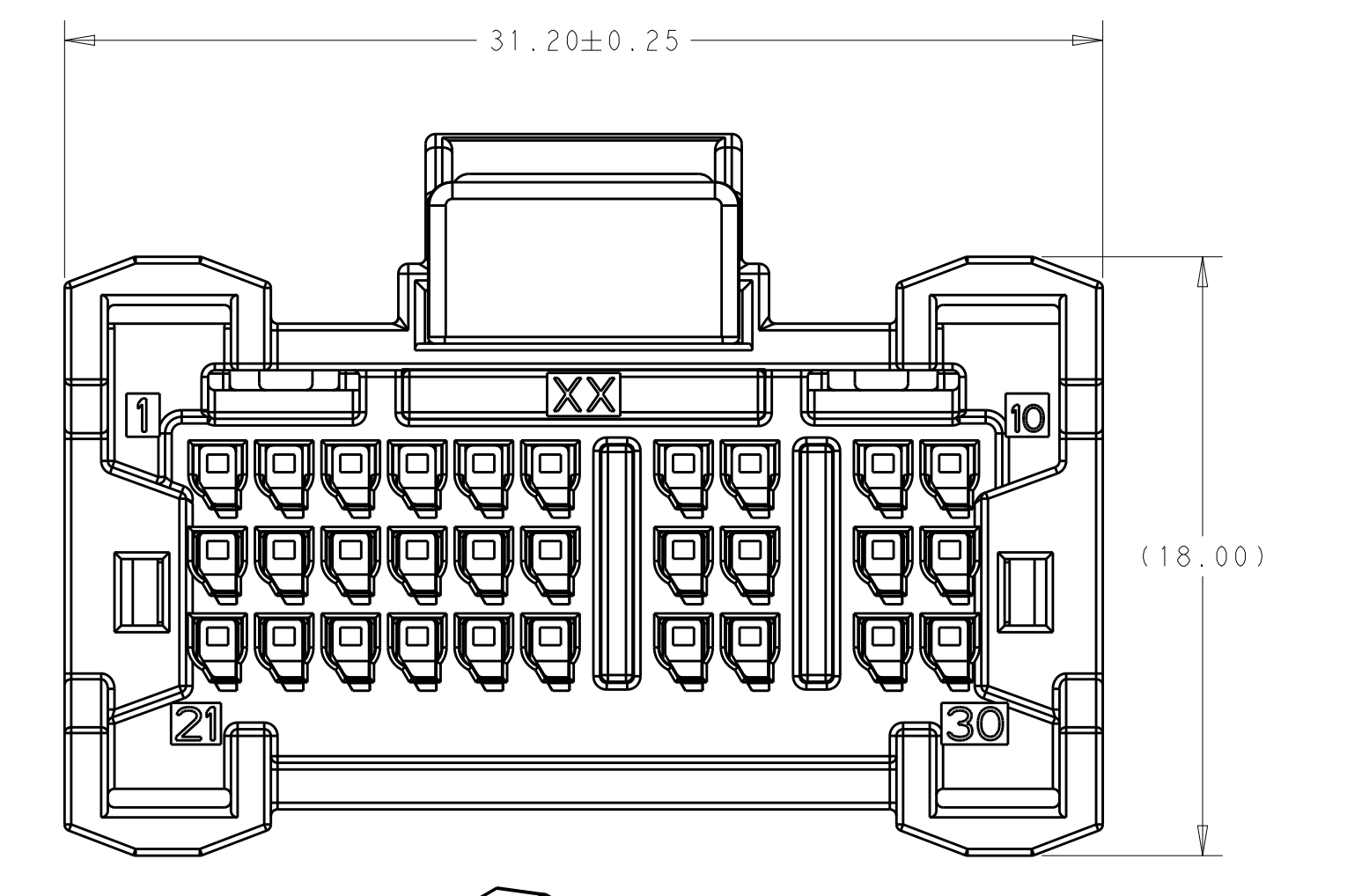
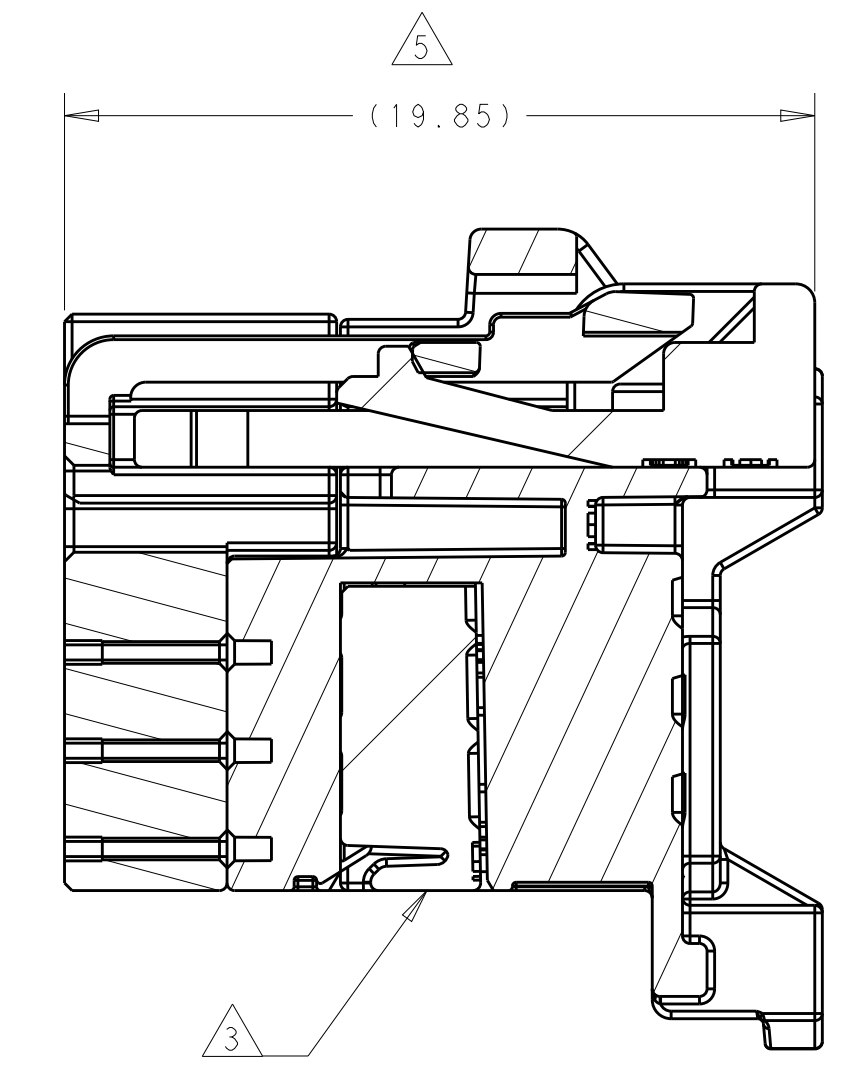
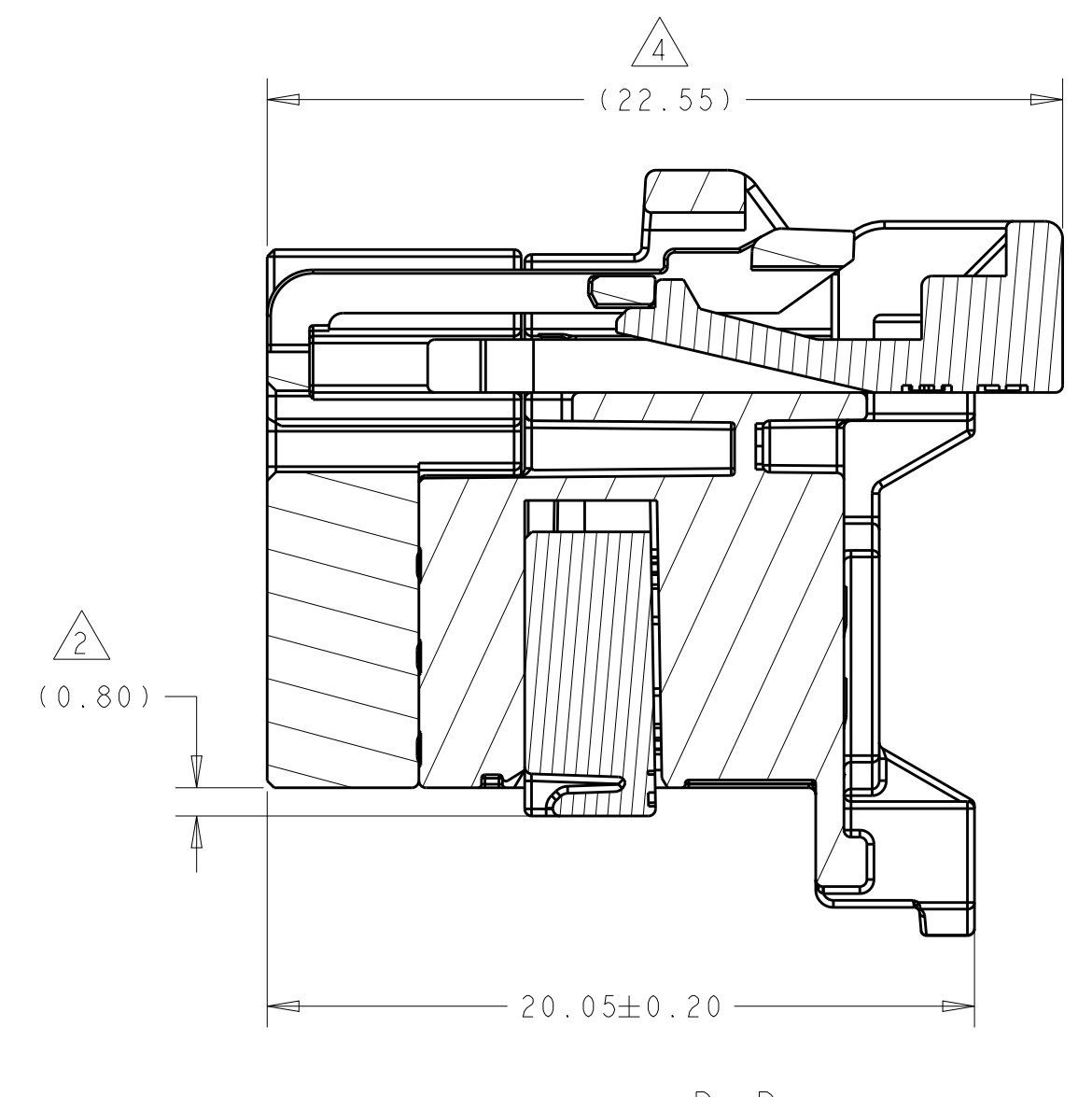
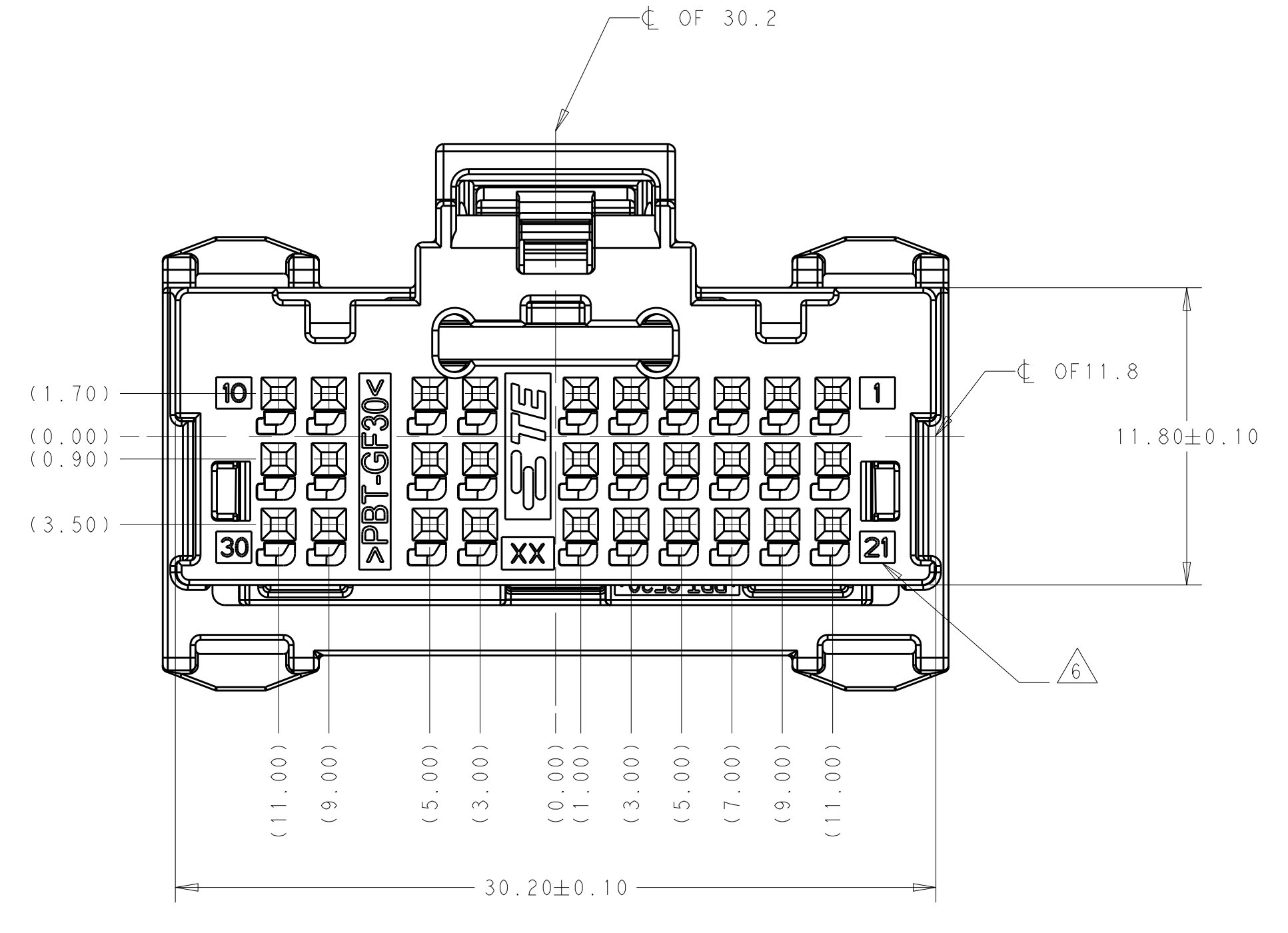


EXPLODED VIEW

REVISIONS				
P	LTN	DESCRIPTION	DATE	APPD
A		RELEASED PER ECO-17-012585	25AUG2017	KP RK
B		REVISED PER ECO-18-004174	16MAR2018	JMS RK



1. 2309644 SHOWN. SEE PART LIST AND KEYING ARRANGEMENT VIEWS TABLE.
2. SECONDARY LOCK IN THE PRE-LOCKED POSITION. IF SECONDARY LOCK CLOSURES DURING SHIPPING, RESET TO PRE-LOCK POSITION.
3. SECONDARY LOCK IN THE LOCKED POSITION.
4. CPA IN THE UNLOCKED POSITION.
5. CPA IN LOCKED POSITION.
6. CIRCUIT I D.
7. TO BE USED WITH TE TERMINAL PART NUMBER 2272196, SOLD SEPARATELY.
8. OPTIONAL REVERSIBLE WIRE COVER AVAILABLE:  
P/N 2300772-1 (TOP EXIT)  
P/N 2300842-1 (SIDE EXIT)
9. FOR INFORMATION ON USAGE REFERENCE INSTRUCTION SHEET 408-32188
10. PN 2300772-1 AND 2300842-1 WIRE DRESS COVERS ARE TO BE USED AS PER USCAR-25 RECOMMENDATION, FOR ADDITIONAL APPLICATION INFORMATION PLEASE CONTACT TE CONNECTIVITY.



QTY	REQD	PER	ASSY	DESCRIPTION	ITEM NO.
1	1	1	1	CPA	4
1	1	1	1	SECONDARY LOCK	3
1	1	1	1	BACK HOUSING	2
1	-	-	-	FRONT HOUSING CODE D	1
-	1	-	-	FRONT HOUSING CODE C	1
-	-	1	-	FRONT HOUSING CODE B	1
-	-	-	1	FRONT HOUSING CODE A	1
2309644-4	2309644-3	2309644-2	2309644-1	DESCRIPTION	ITEM NO.

THIS DRAWING IS A CONTROLLED DOCUMENT. DATE: 15 APR 2017. TISHA MINGO. CHK: GALEN MARIN. DATE: 15 APR 2017. DATE: 15 APR 2017. GALEN MARIN. DATE: 15 APR 2017. GALEN MARIN. DATE: 15 APR 2017.

TE Connectivity  
**STE**  
 30P NANOMOS/050LL CONNECTOR WITH CPA

APPLICATION SPEC: CUSTOMER DRAWING. WEIGHT: 5.04g. SCALE: 5:1. SHEET: 1 OF 1. REV: 0.

## Looking for pricing, stock, or lifecycle information?

Click below to explore more details on WIN SOURCE:

 [View 2309644-1](#) on WIN SOURCE

 [TE Connectivity](#) Information

## Optimize Your Supply Chain with WIN SOURCE Solutions

-  Global Sourcing Solution
-  Obsolete Management
-  Cost Control Management
-  Shortage Management
-  Alternative Solution
-  Excess Inventory Management