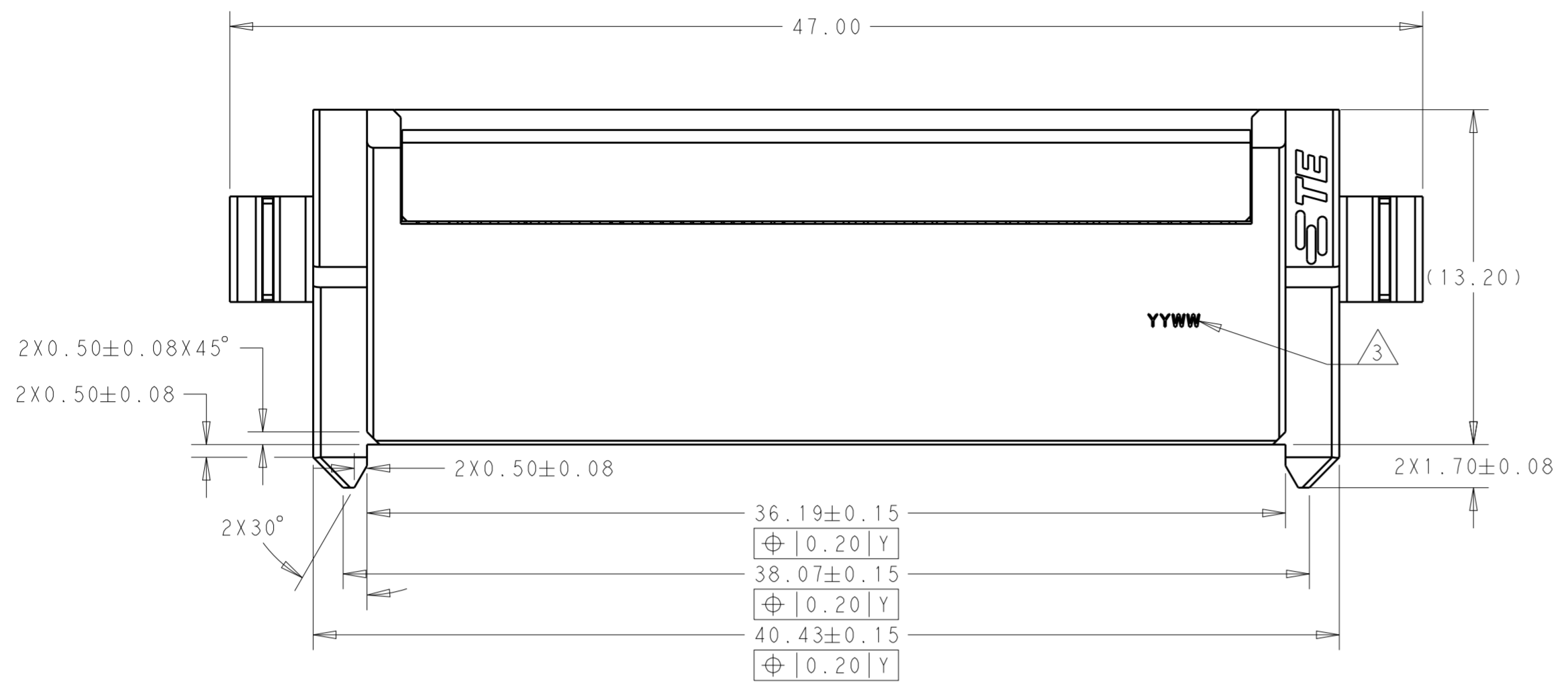
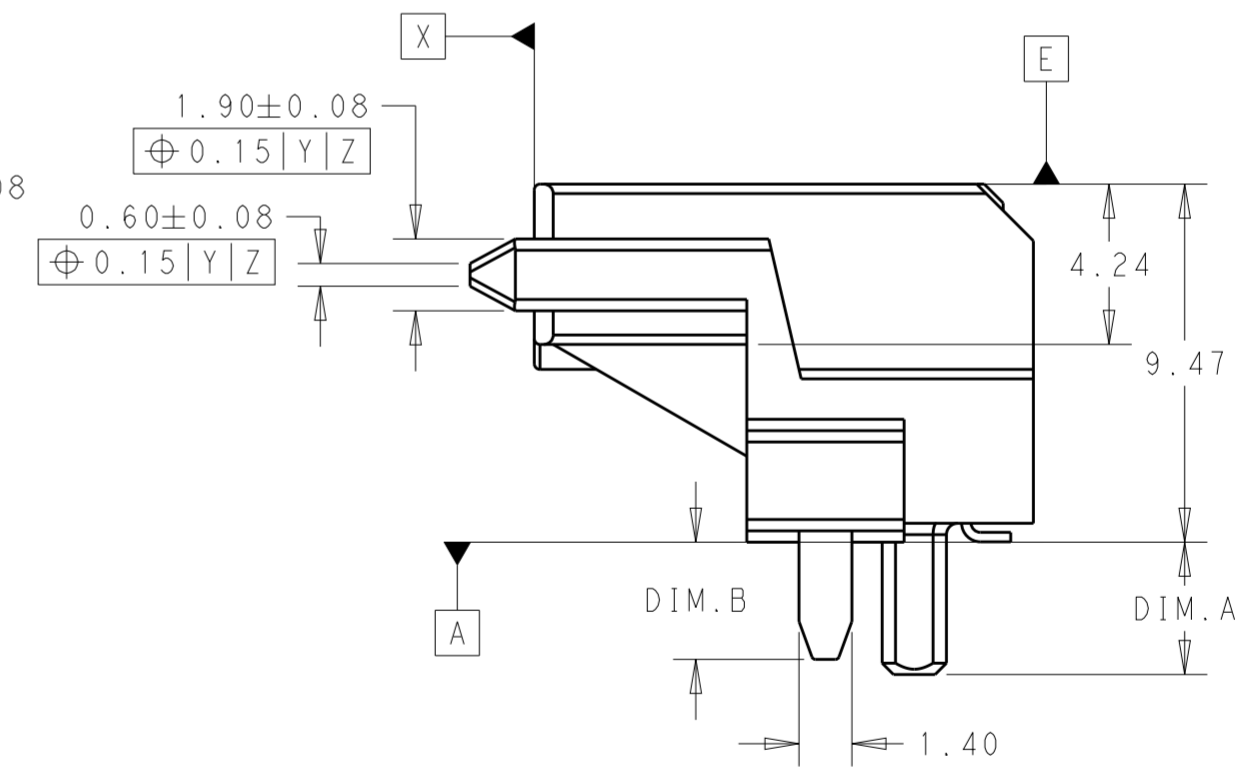
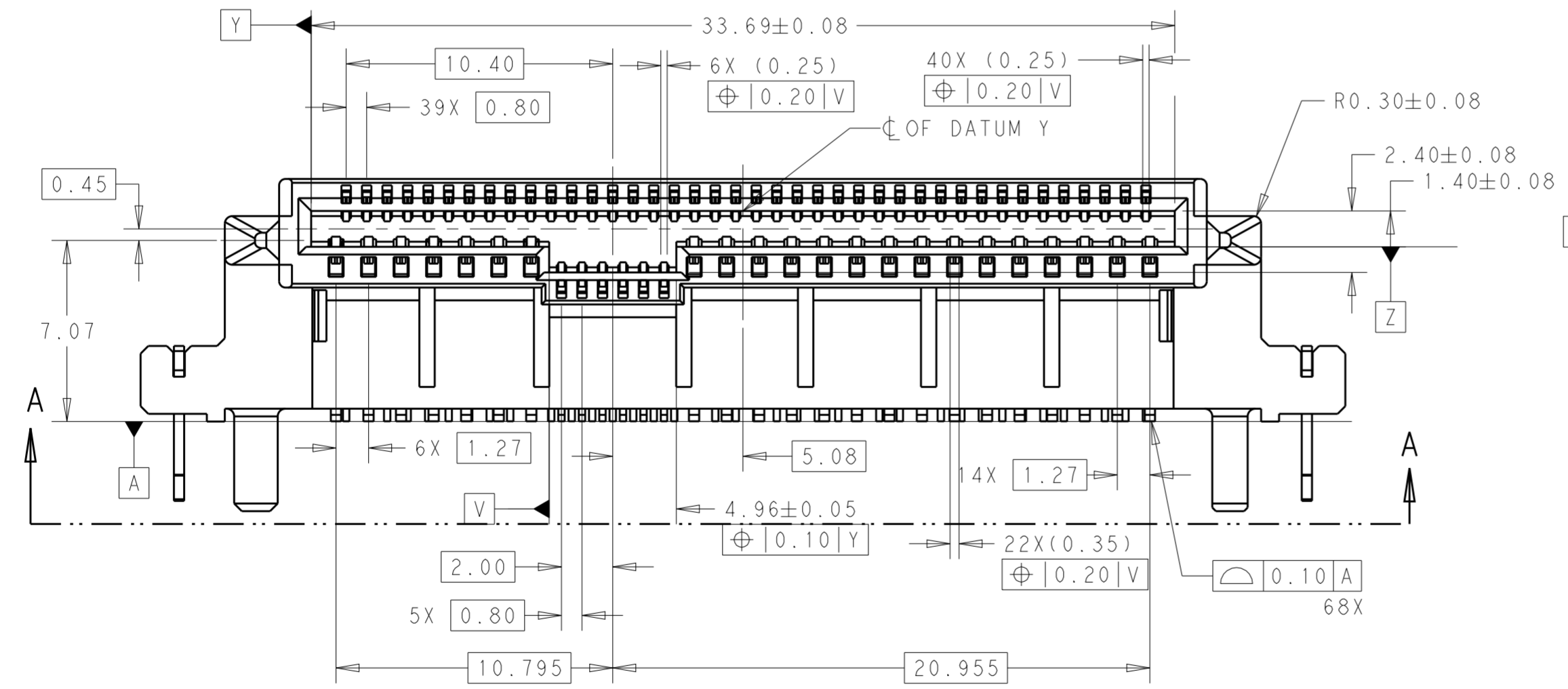


THIS DRAWING IS UNPUBLISHED. RELEASED FOR PUBLICATION
 © COPYRIGHT copyright.d8te- ALL RIGHTS RESERVED.


| REVISIONS | | | | |
|-----------|-----|---------------------------|-----------|-------|
| P | LTR | DESCRIPTION | DATE | APVD |
| A | | RELEASED FOR PRODUCTION | 20APR2017 | TX SH |
| B | | REVISED PER ECO-17-012209 | 21AUG2017 | TX SH |
| C | | REVISED PER ECO-18-008726 | 04JUN2018 | TX SH |



NOTES:
 1. MATERIAL:
 HOUSING: LCP, GLASS FILLED.UL 94V-0,COLOR: BLACK
 TERMINAL: COPPER ALLOY
 PCB HOLD-DOWN: COPPER ALLOY
 2. PLATING:
 TERMINAL:
 CONTACT AREA: 0.76um MIN GOLD PLATING
 SOLDER TAIL: 2.54um MIN TIN PLATING
 UNDERPLATE: 1.27um MIN NICKEL PLATING
 PCB HOLD-DOWN: 2.54um MIN TIN OVER 1.27um NICKEL PLATING
 3. DATE LOGO. DATE CODE TO BE LOCATED APPROXIMATELY AS SHOWN.
 NON-FUNCTIONAL CORING MAY VARY.
 4. CONNECTOR COMES WITH A CAP TO BE REMOVED AFTER SOLDERING

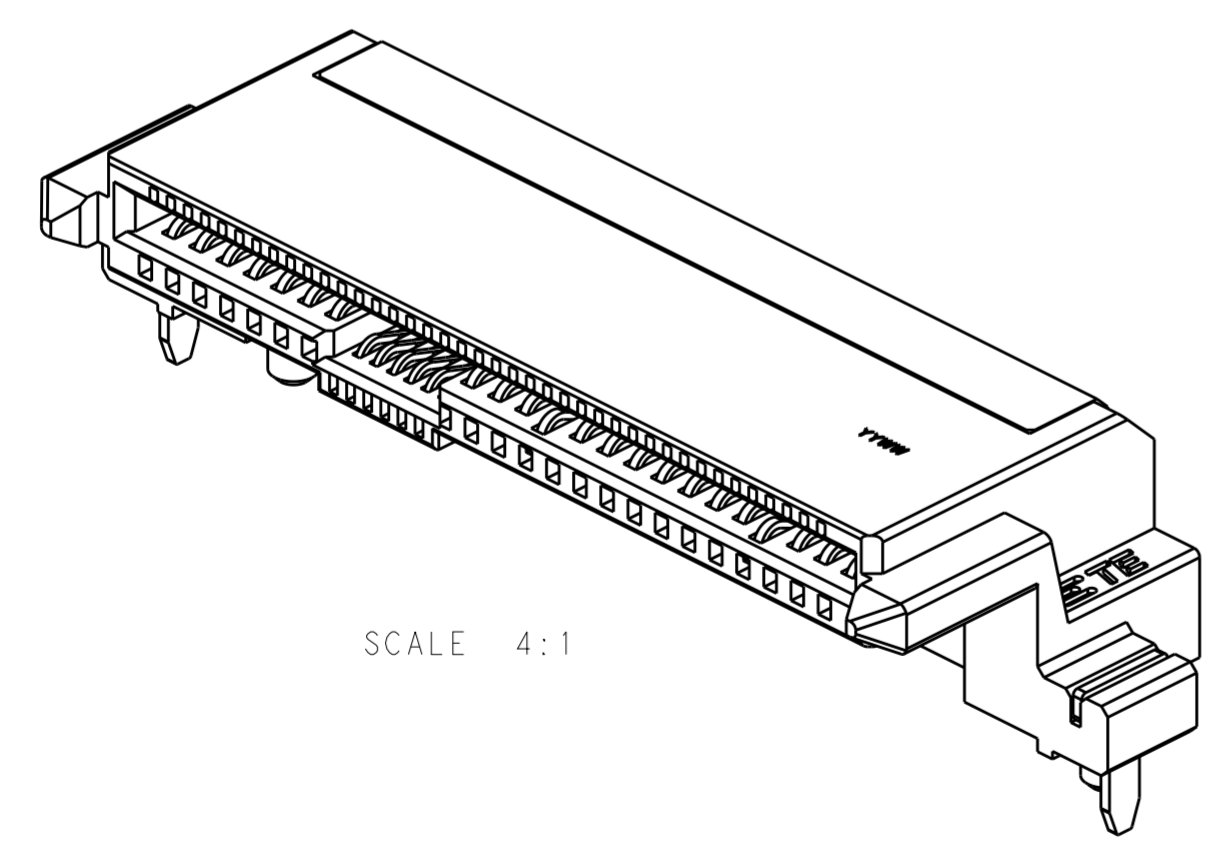
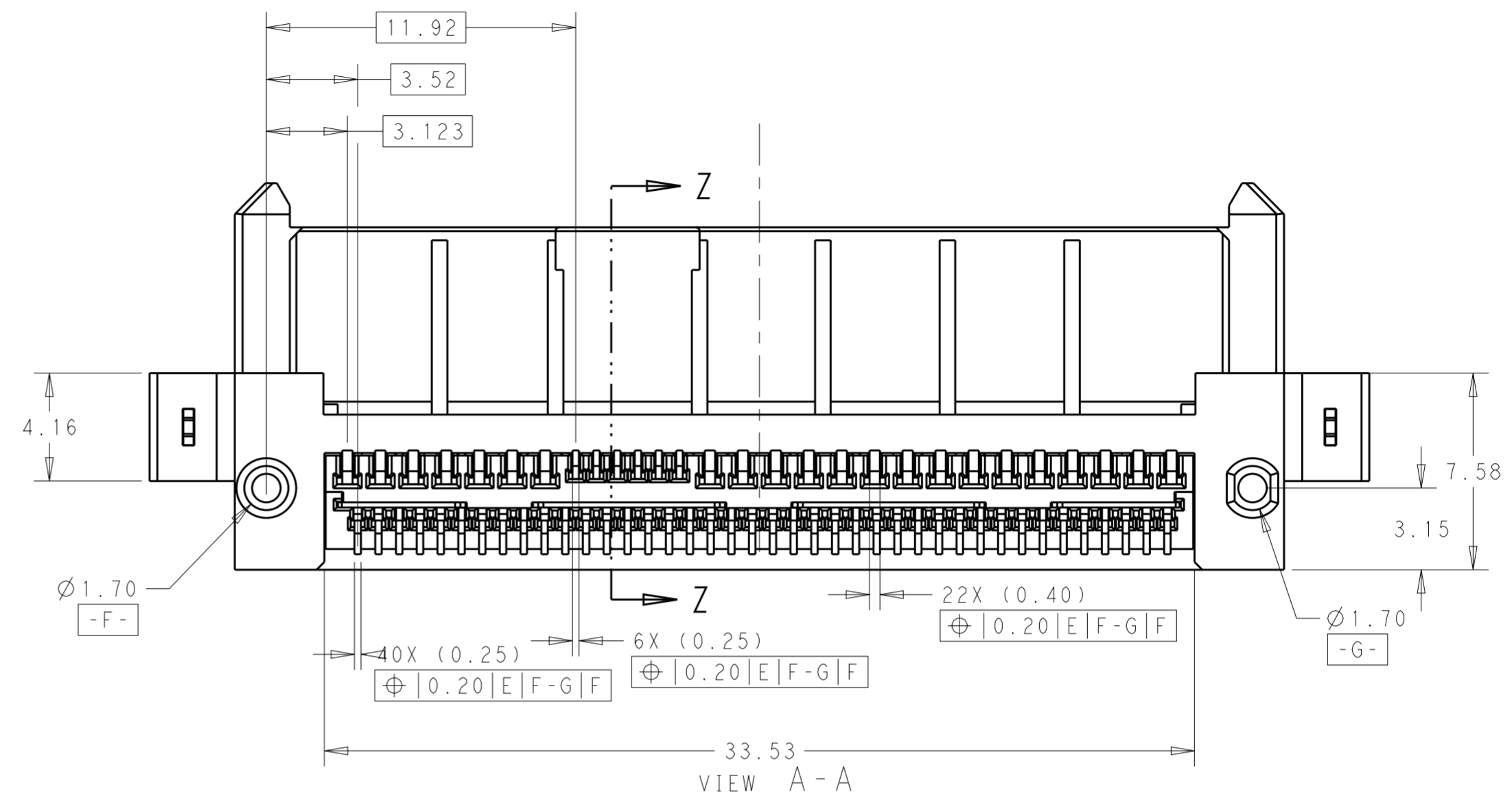
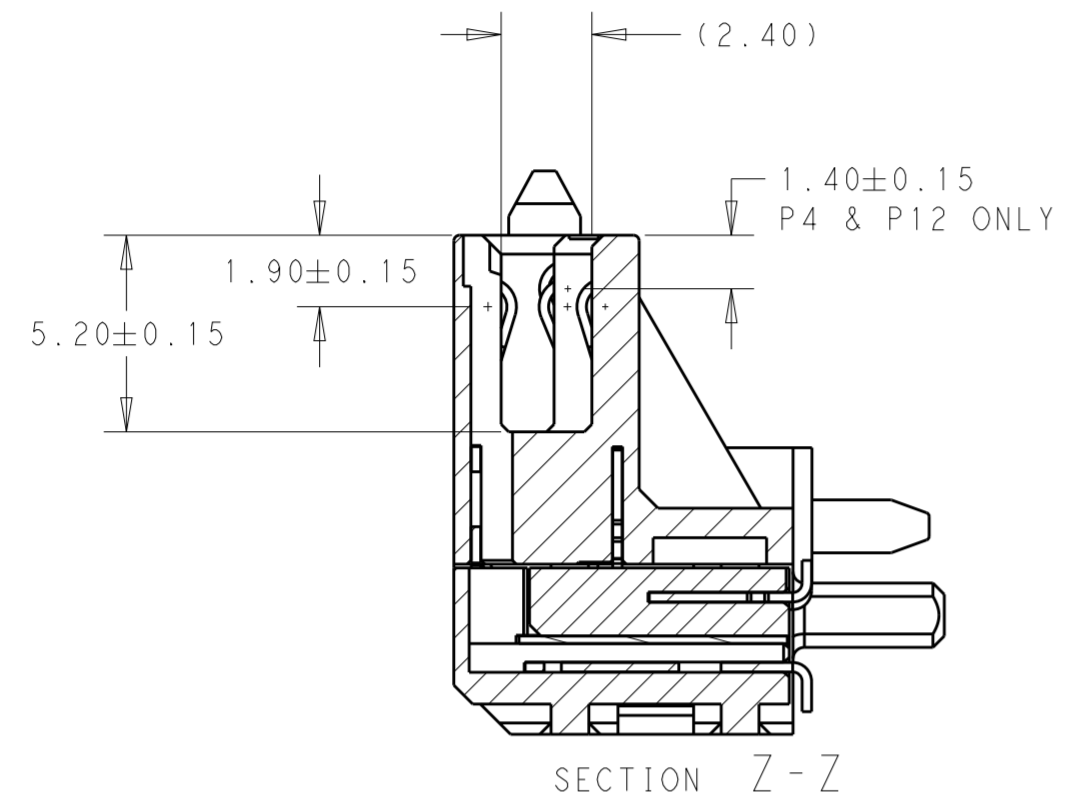



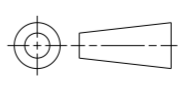
| | | | |
|-----------|-------|-------|-------------|
| TAPE&REEL | 2.10 | 2.10 | 2309567-2 |
| TAPE&REEL | 3.10 | 3.50 | 2309567-1 |
| PACKAGE | DIM.B | DIM.A | PART NUMBER |

| | | | | |
|----------------------------------------|--|-------------------------------|-------------------------------------------------------------------------------------------------------|--|
| THIS DRAWING IS A CONTROLLED DOCUMENT. | | DWN TIM XUE 14SEP2016 |  TE Connectivity | |
| DIMENSIONS: mm | | CHK SEAN HAN 14SEP2016 | | |
| TOLERANCES UNLESS OTHERWISE SPECIFIED: | | APVD SEAN HAN 14SEP2016 | NAME SAS/PCIE, RECEPTACLE SMT, RIGHT ANGLE TYPE | |
| 0 PLC ± | | PRODUCT SPEC | SIZE A2 | |
| 1 PLC ±0.25 | | APPLICATION SPEC | CAGE CODE C-2309567 | |
| 2 PLC ±0.20 | | WEIGHT | DRAWING NO 2309567 | |
| 3 PLC ±0.20 | | CUSTOMER DRAWING | RESTRICTED TO | |
| 4 PLC ± | | SCALE 1:1 | SHEET 1 OF 4 | |
| ANGLES ±3° | | REV C | | |
| FINISH | | | | |

THIS DRAWING IS UNPUBLISHED. RELEASED FOR PUBLICATION
 © COPYRIGHT copyright.d8Te- ALL RIGHTS RESERVED.

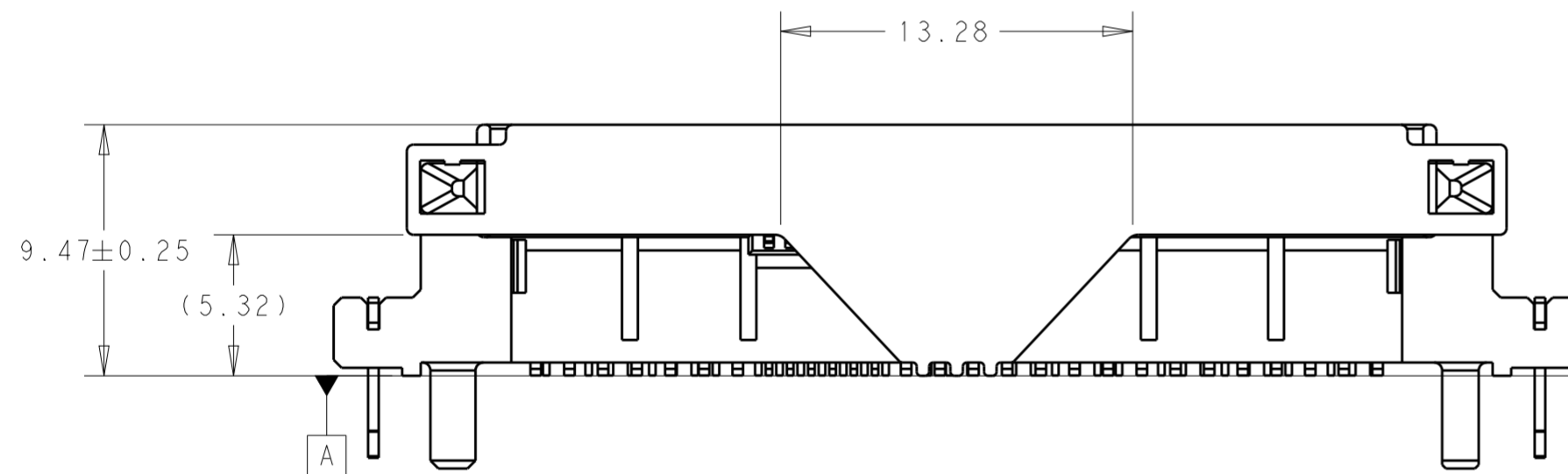
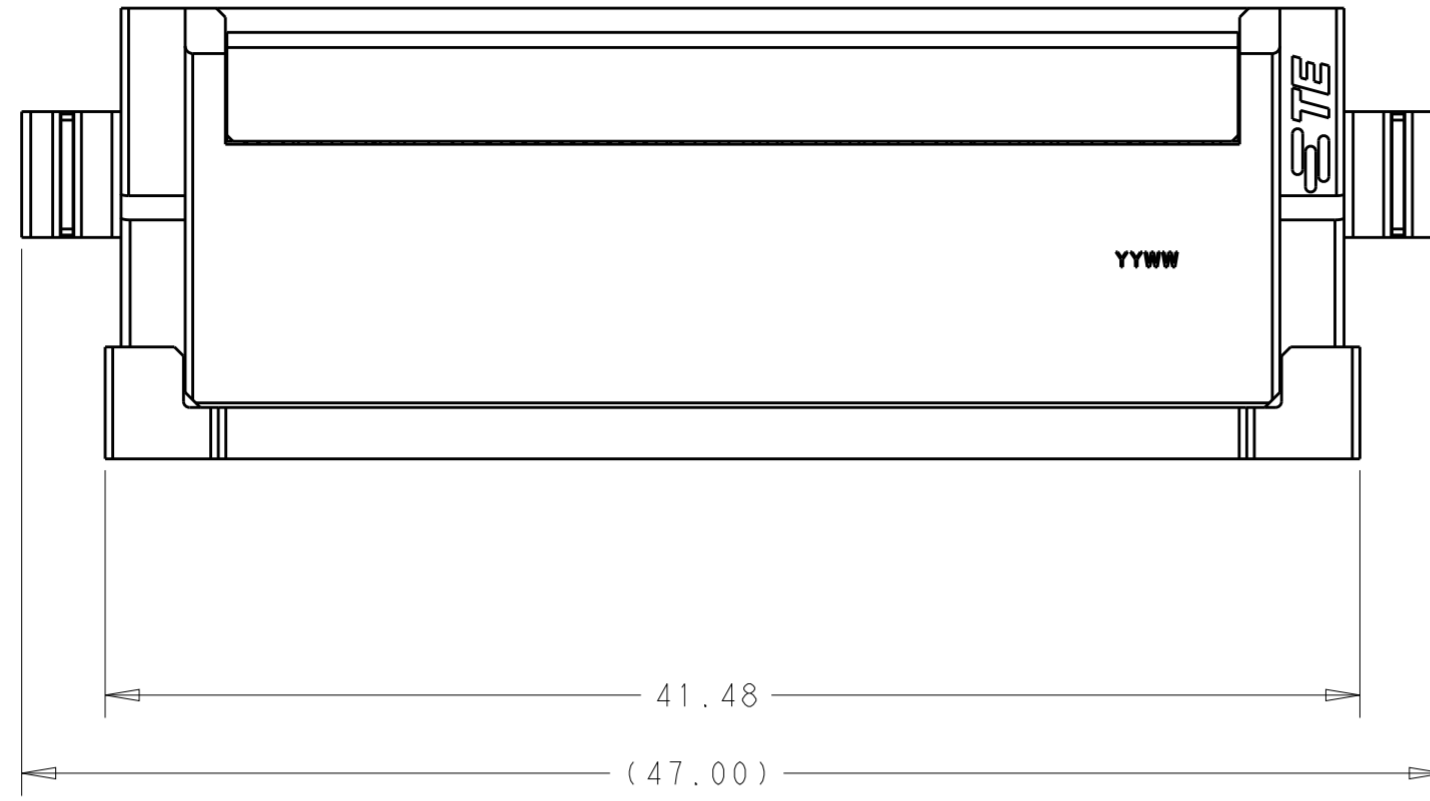
| REVISIONS | | | | |
|-----------|-----|-------------|------|------|
| P | LTR | DESCRIPTION | DATE | APVD |
| - | - | SEE SHEET 1 | - | - |
| | | | | |
| | | | | |



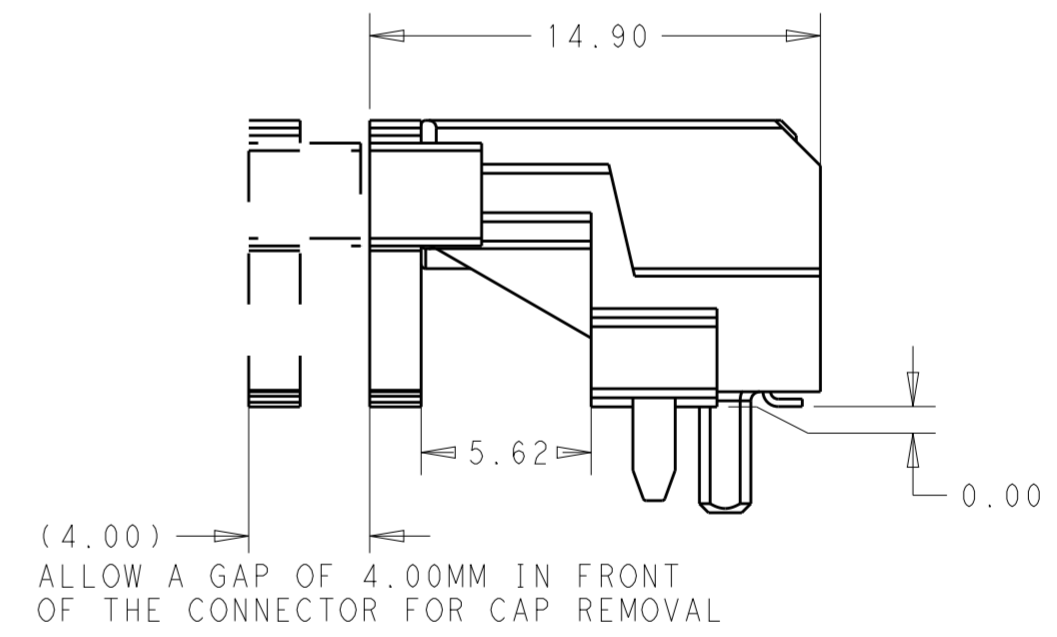
| | | | | |
|---------------------------------------------------------------------------------------|-------------------------------------------------------------------------------------------|-------------------------------|-------------------------------------------------------------------------------------------------------|------------------------|
| THIS DRAWING IS A CONTROLLED DOCUMENT. | | DWN TIM XUE 14SEP2016 |  TE Connectivity | |
| DIMENSIONS: | | CHK SEAN HAN 14SEP2016 | | |
| mm | TOLERANCES UNLESS OTHERWISE SPECIFIED: | APVD SEAN HAN 14SEP2016 | NAME SAS/PCIe, RECEPTACLE SMT, RIGHT ANGLE TYPE | |
|  | 0 PLC ± 1 PLC ±0.25 2 PLC ±0.20 3 PLC ±0.20 4 PLC ± ANGLES ±3° FINISH - | PRODUCT SPEC - | SIZE A2 | CAGE CODE C-2309567 |
| MATERIAL - | - | APPLICATION SPEC - | DRAWING NO. C-2309567 | RESTRICTED TO - |
| CUSTOMER DRAWING | | WEIGHT - | SCALE 1:1 | SHEET 2 OF 4 |
| | | | | REV C |

THIS DRAWING IS UNPUBLISHED. RELEASED FOR PUBLICATION
 © COPYRIGHT copyright.d8te- ALL RIGHTS RESERVED.

| REVISIONS | | | | |
|-----------|-----|-------------|------|------|
| P | LTR | DESCRIPTION | DATE | APVD |
| - | | SEE SHEET 1 | - | - |
| | | | | |
| | | | | |



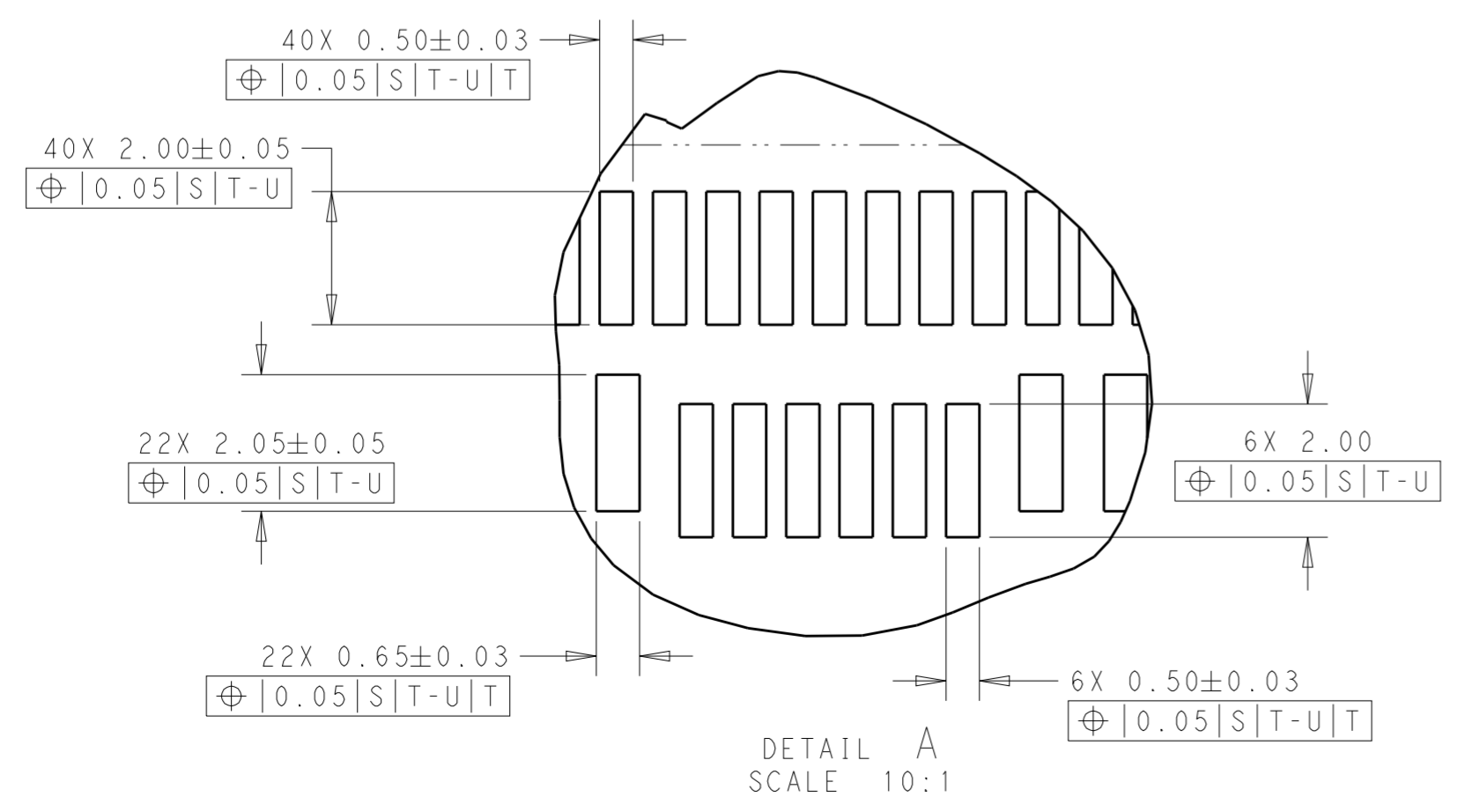
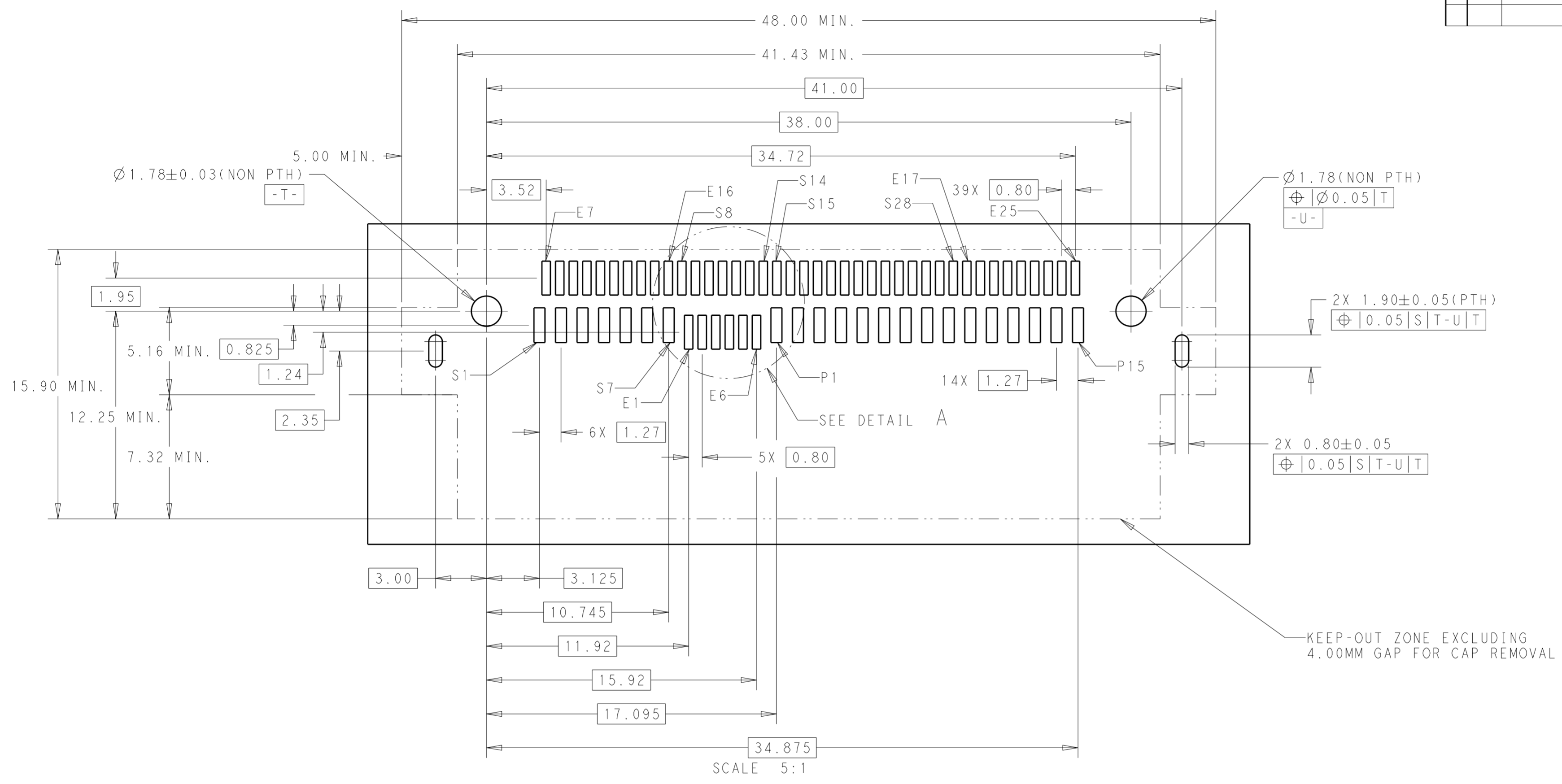
CONNECTOR OUTLINE WITH CAP
 SCALE 4:1



| | | | | |
|----------------------------------------|-------------------------------------------------------------------------------------------|-------------------------------|-------------------------------------------------------|------------------------|
| THIS DRAWING IS A CONTROLLED DOCUMENT. | | DWN TIM XUE 14SEP2016 | TE Connectivity | |
| DIMENSIONS: | | CHK SEAN HAN 14SEP2016 | | |
| mm | TOLERANCES UNLESS OTHERWISE SPECIFIED: | APVD SEAN HAN 14SEP2016 | NAME SAS/PCIe, RECEPTACLE SMT, RIGHT ANGLE TYPE | |
| | 0 PLC ± 1 PLC ±0.25 2 PLC ±0.20 3 PLC ±0.20 4 PLC ± ANGLES ±3° FINISH - | PRODUCT SPEC - | SIZE A2 | CAGE CODE C-2309567 |
| MATERIAL - | | APPLICATION SPEC - | DRAWING NO C-2309567 | RESTRICTED TO - |
| | | WEIGHT - | SCALE 1:1 | SHEET 3 OF 4 |
| | | CUSTOMER DRAWING | | REV C |

THIS DRAWING IS UNPUBLISHED. RELEASED FOR PUBLICATION
 © COPYRIGHT copyright.d8Te- ALL RIGHTS RESERVED.

| REVISIONS | | | | |
|-----------|-----|-------------|------|------|
| P | LTR | DESCRIPTION | DATE | APVD |
| - | - | SEE SHEET 1 | - | - |
| | | | | |
| | | | | |



| | | | | |
|----------------------------------------|--|-------------------------------|-------------------------------------------------------|--|
| THIS DRAWING IS A CONTROLLED DOCUMENT. | | DWN TIM XUE 14SEP2016 | TE Connectivity | |
| DIMENSIONS: mm | | CHK SEAN HAN 14SEP2016 | | |
| TOLERANCES UNLESS OTHERWISE SPECIFIED: | | APVD SEAN HAN 14SEP2016 | NAME SAS/PCIe, RECEPTACLE SMT, RIGHT ANGLE TYPE | |
| 0 PLC ± | | PRODUCT SPEC | SIZE A2 | |
| 1 PLC ±0.25 | | APPLICATION SPEC | CAGE CODE C-2309567 | |
| 2 PLC ±0.20 | | WEIGHT | DRAWING NO C-2309567 | |
| 3 PLC ±0.20 | | CUSTOMER DRAWING | RESTRICTED TO | |
| 4 PLC ± | | SCALE 1:1 | SHEET 4 OF 4 | |
| ANGLES ±3° | | REV C | | |
| FINISH | | | | |

Looking for pricing, stock, or lifecycle information?

Click below to explore more details on WIN SOURCE:

 [View 2309567-1](#) on WIN SOURCE

 [TE Connectivity](#) Information

Optimize Your Supply Chain with WIN SOURCE Solutions

-  Global Sourcing Solution
-  Obsolete Management
-  Cost Control Management
-  Shortage Management
-  Alternative Solution
-  Excess Inventory Management