

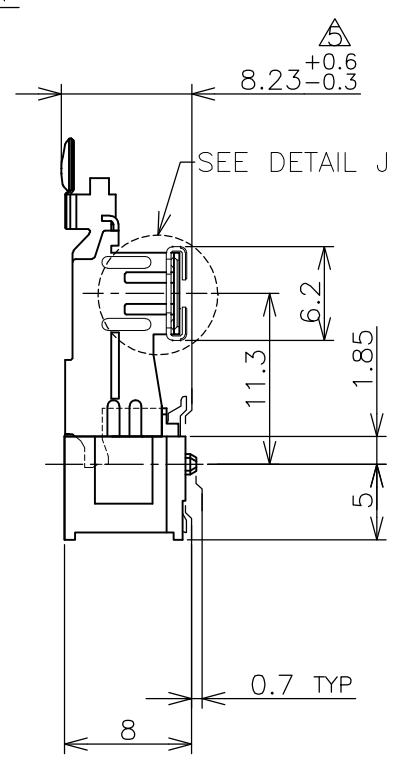
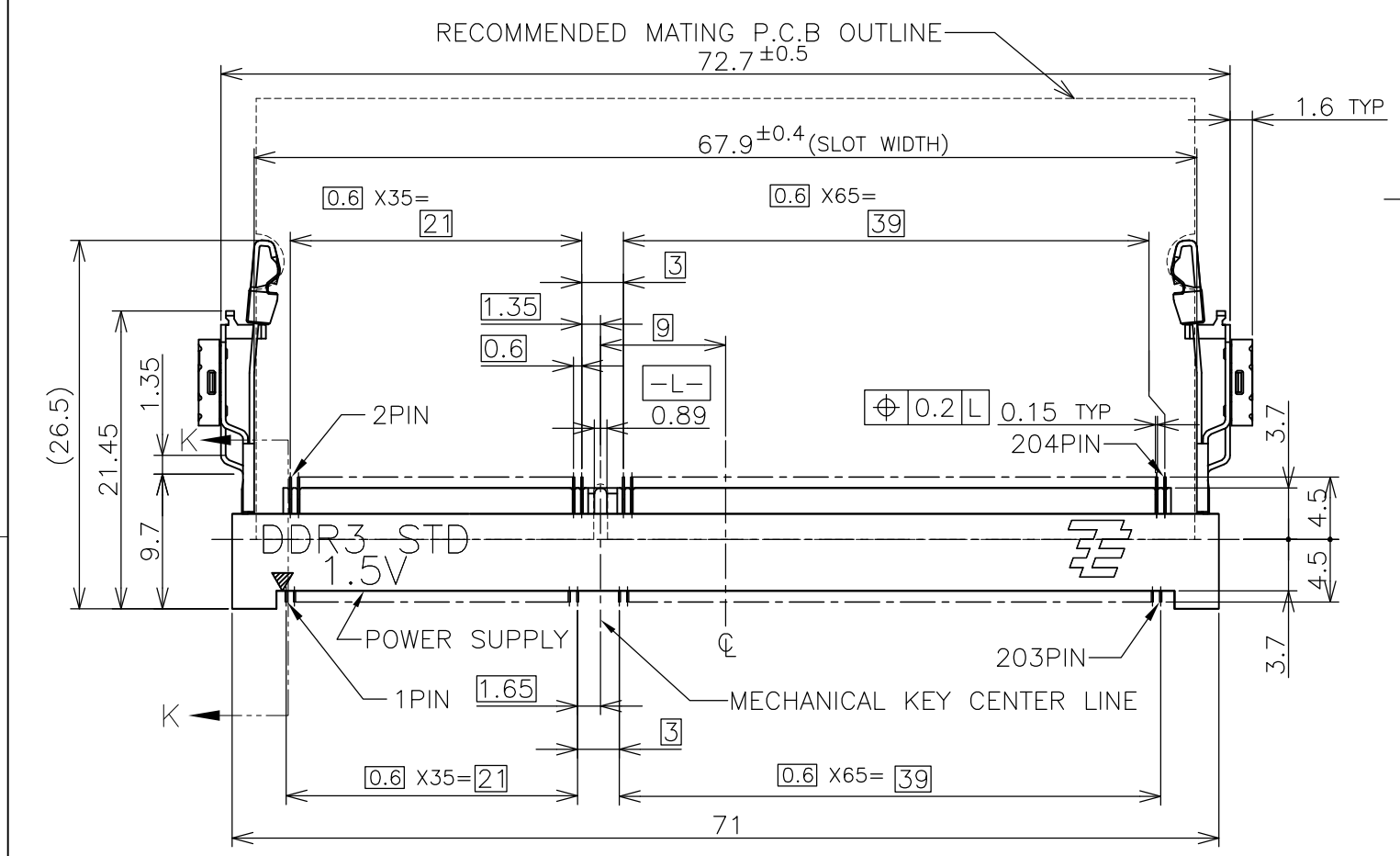
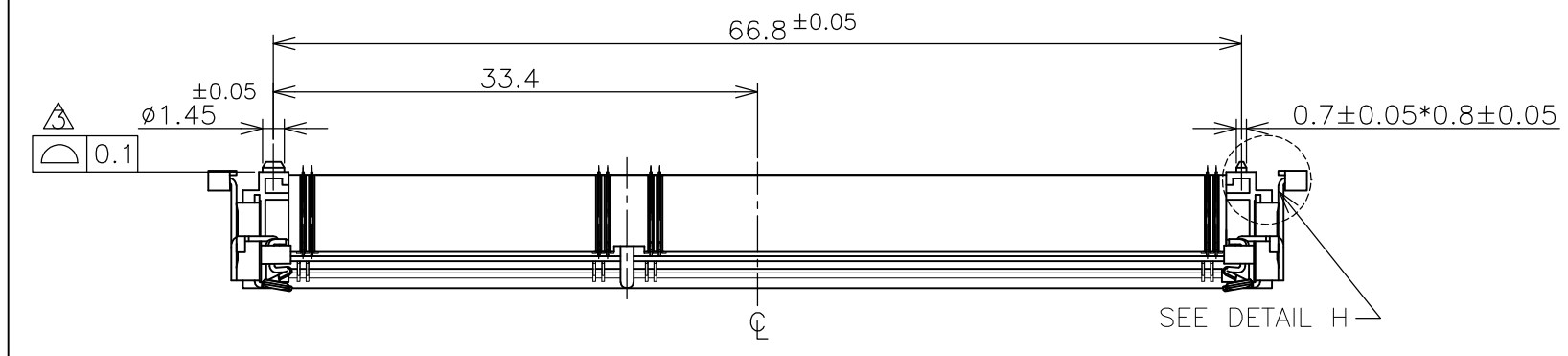


**THE DATASHEET OF**  
**2-2013297-1**

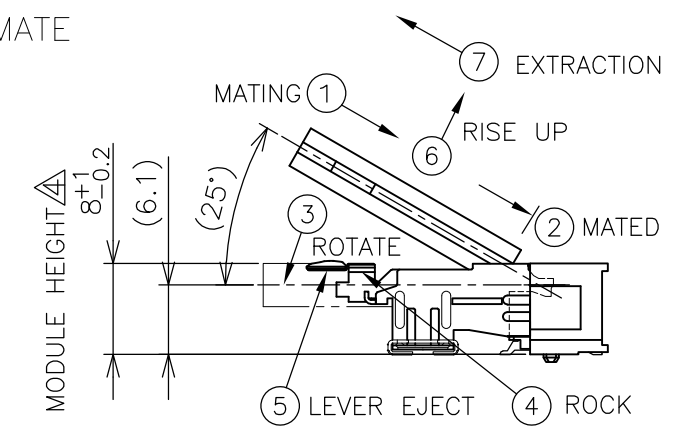
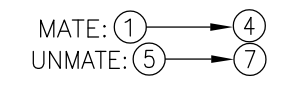


THIS DRAWING IS UNPUBLISHED. RELEASED FOR PUBLICATION SEP, 2007.  
 © COPYRIGHT 2007 By - ALL RIGHTS RESERVED.

LOC	DIST	REVISIONS			
P	LTR	DESCRIPTION	DATE	DWN	APVD
J	/				
	D	REVISED PER ECR-12-004002	01MAR2012	W.W	C.W

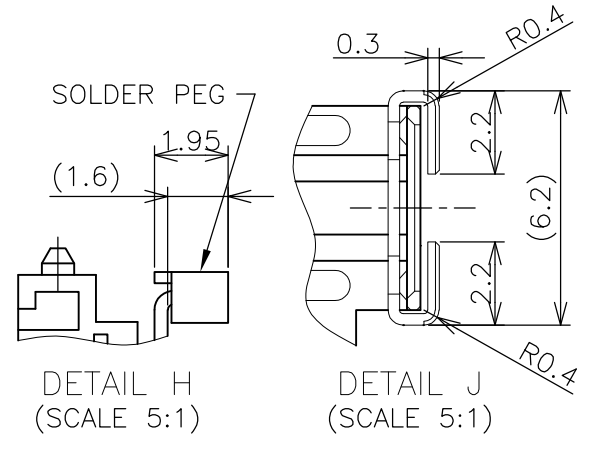
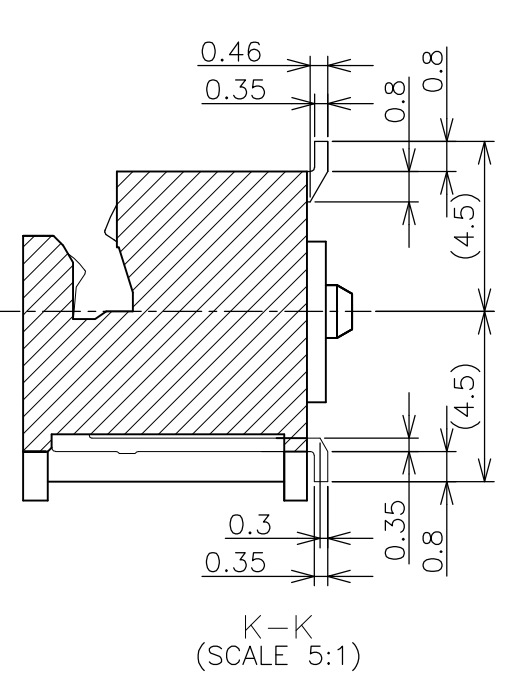


HOW TO MATE AND UNMATE



(APPLIED TO SHEET 1-3)

- MATERIAL ; HOUSING: HIGH TEMPERATURE THERMO PLASTIC UL94V-0  
 COLOR: SEE TABLE  
 CONTACT: COPPER ARROY  
 LOCK LEVER: STAINLESS STEEL  
 PEG: COPPER ARROY
  1. FINISH ; CONTACT AREA: GOLD FLASH  
 ALL OVER NICKEL.  
 SOLDERING AREA: GOLD FLASH PLATING  
 PEG: TIN PLATING
  2. FINISH ; CONTACT AREA: 0.000254MIN GOLD  
 ALL OVER NICKEL.  
 SOLDERING AREA: GOLD FLASH PLATING  
 PEG: TIN PLATING
  3. FINISH ; CONTACT AREA: 0.00076MIN GOLD  
 ALL OVER NICKEL.  
 SOLDERING AREA: GOLD FLASH PLATING  
 PEG: TIN PLATING
- ▲ COPLANARITY: 0.1 MAX. (BEFORE SOLDERING)  
 ▲ THE FLOATING VALUE BY SOLDERING IS NOT INCLUDED.  
 ▲ NOT MATING CONDITION.
6. IF THE MODULE DOESN'T INSERT AND LOCK IN THE LATCH SMOOTHLY, OPEN WIDE BOTH LATCHES BY MANUAL. AND THE MODULE MUST BE INSERTED AND LOCKED IN THE LATCH.



GENERAL TOLERANCE  
 10 ≥ ±0.2  
 30 ≥ >10: ±0.25  
 100 ≥ >30: ±0.3  
 ANGLES: ±3°

THIS DRAWING IS A CONTROLLED DOCUMENT.		DWN T.FUMIKURA 18SEP2007	TE Connectivity				
DIMENSIONS: MM		CHK K.IKEGAMI 18SEP2007				NAME	
TOLERANCES UNLESS OTHERWISE SPECIFIED:		APVD K.IKEGAMI 18SEP2007	DDR3 SODIMM SOCKET				
0 PLC ±		PRODUCT SPEC	0.6mm PITCH 204POS				
1 PLC ±		108-78493	8.0mm HEIGHT STANDARD TYPE				
2 PLC ±		APPLICATION SPEC	SIZE	CAGE CODE	DRAWING NO	RESTRICTED TO	
3 PLC ±		WEIGHT 5.8g	A300779	C-2013297			
4 PLC ±	MATERIAL	CUSTOMER DRAWING			SCALE 2:1	SHEET 1 OF 6	REV D
ANGLES ±	FINISH						

4

3

2

1

THIS DRAWING IS UNPUBLISHED.


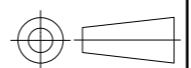
RELEASED FOR PUBLICATION SEP , 2007.

© COPYRIGHT 2007 By -

ALL RIGHTS RESERVED.

LOC	DIST	REVISIONS					
J	/	P	LTR	DESCRIPTION	DATE	DWN	APVD
		-		SEE SHEET 1	-	-	-

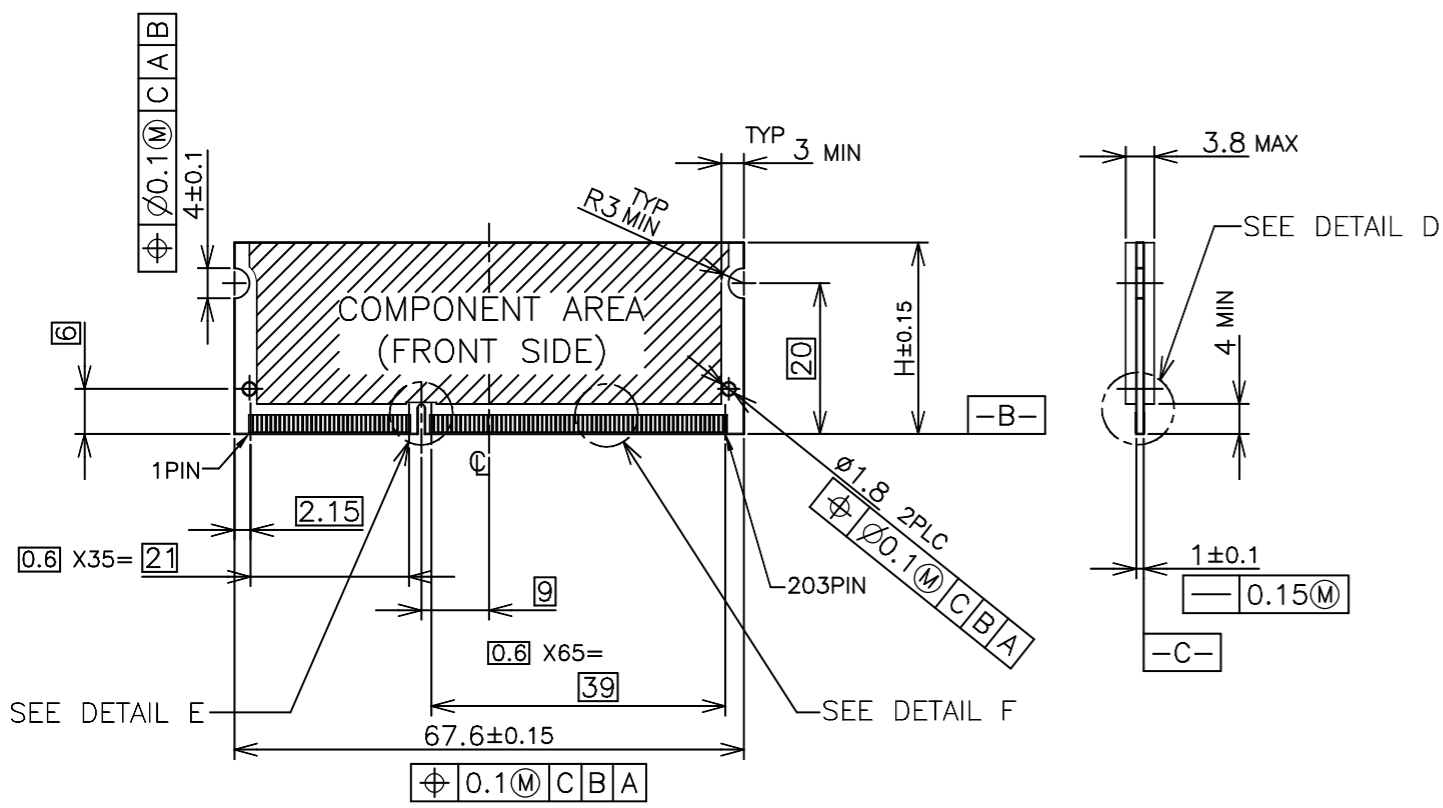
AVAILABLE	ENBOSS (SEE SHEET 6)	WITH BOSS	BLACK	NOTE 2-3	1.5V	204	2-2013297-3
AVAILABLE	ENBOSS (SEE SHEET 6)	WITH BOSS	BLACK	NOTE 2-2	1.5V	204	2-2013297-2
AVAILABLE	ENBOSS (SEE SHEET 6)	WITH BOSS	BLACK	NOTE 2-1	1.5V	204	2-2013297-1
AVAILABLE	SEMI-HARD TRAY (SEE SHEET 5)	WITH BOSS	BLACK	NOTE 2-3	1.5V	204	2013297-3
AVAILABLE	SEMI-HARD TRAY (SEE SHEET 5)	WITH BOSS	BLACK	NOTE 2-2	1.5V	204	2013297-2
AVAILABLE	SEMI-HARD TRAY (SEE SHEET 5)	WITH BOSS	BLACK	NOTE 2-1	1.5V	204	2013297-1
TOOLING STATUS	PACAGKING TYPE	BOSS TYPE	HOUSING COLOR	FINISH	POWER SUPPLY	POS	PART NO.

THIS DRAWING IS A CONTROLLED DOCUMENT.		DWN	 <b>TE Connectivity</b>			
DIMENSIONS: MM		CHK				
		APVD				
TOLERANCES UNLESS OTHERWISE SPECIFIED: 0 PLC ± 1 PLC ± 2 PLC ± 3 PLC ± 4 PLC ± ANGLES ±		NAME				
MATERIAL		PRODUCT SPEC	DDR3 SODIMM SOCKET 0.6mm PITCH 204POS 8.0mm HEIGHT STANDARD TYPE			
		APPLICATION SPEC	SIZE	CAGE CODE	DRAWING NO	RESTRICTED TO
		WEIGHT	A3	00779	C-2013297	-
CUSTOMER DRAWING			SCALE	SHEET	REV	
			2:1	2 of 6	D	



LOC	DIST	REVISIONS			
P	LTR	DESCRIPTION	DATE	DWN	APVD
J	/	-	SEE SHEET 1	-	-

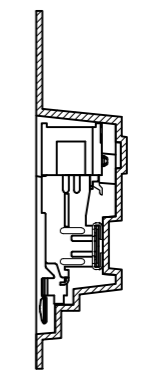
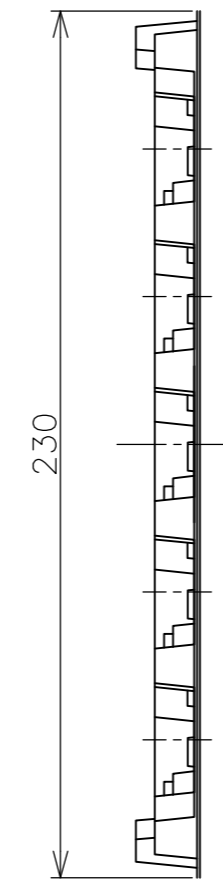
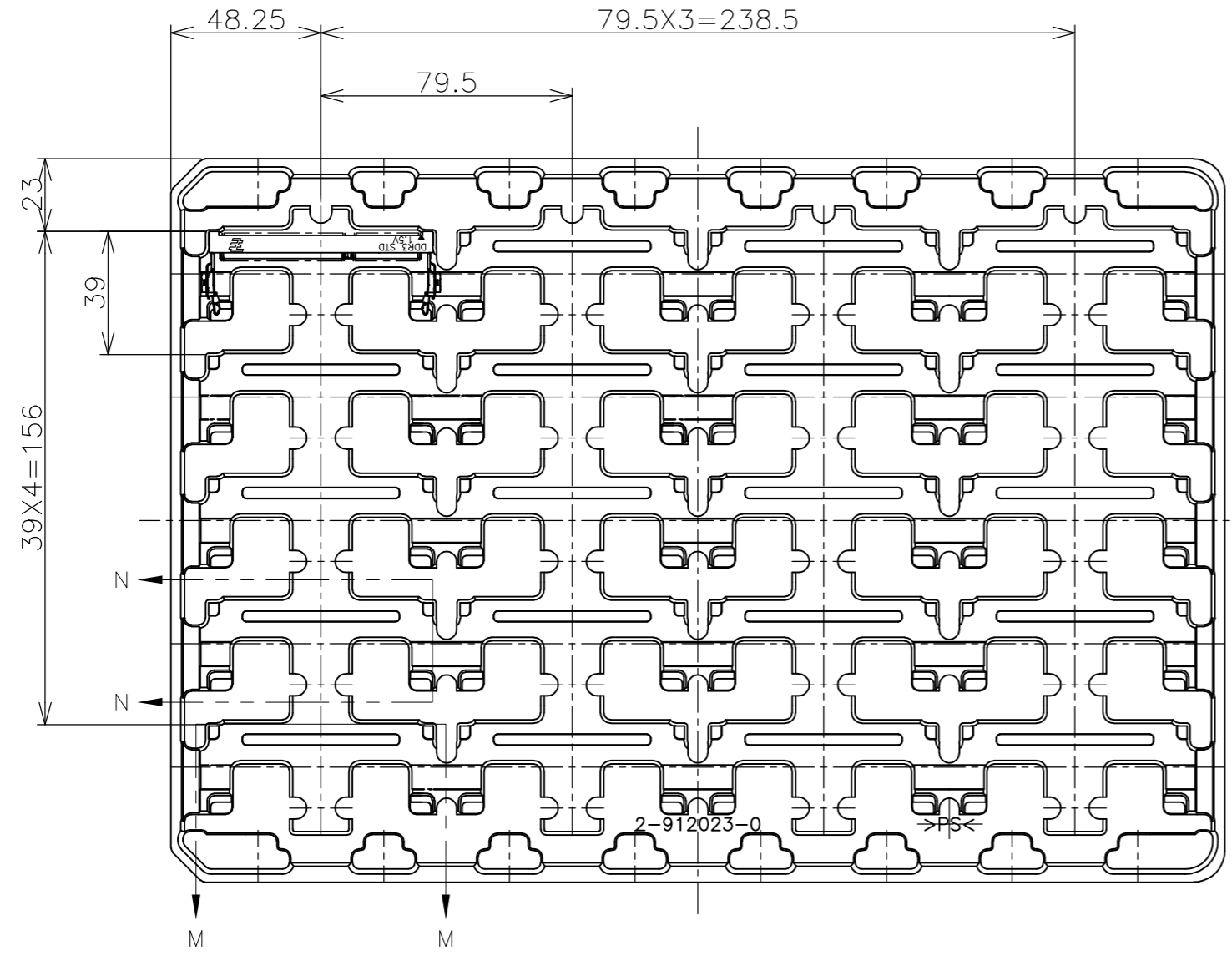
# REFERENCE MATING P.C.B CONFIGURATION



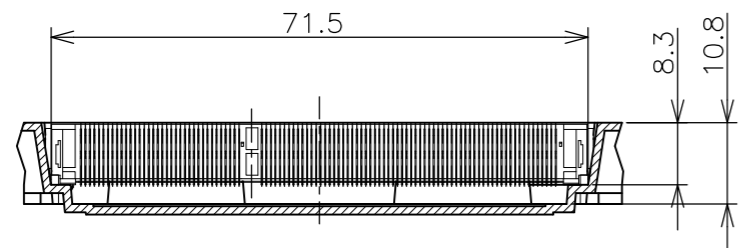
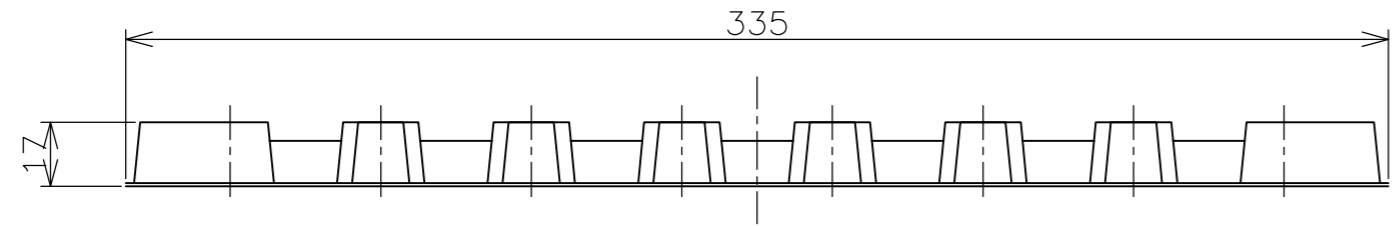
THIS DRAWING IS UNPUBLISHED. RELEASED FOR PUBLICATION SEP ,2007.  
 © COPYRIGHT 2007 By - ALL RIGHTS RESERVED.

LOC	DIST	REVISIONS			
P	LTR	DESCRIPTION	DATE	DWN	APVD
J	/	-	-	-	-
		SEE SHEET 1			

- (APPLIED TO SHEET 5)
1. THE DIRECTION OF EACH CONNECTOR ON A TRAY IS REFERRED TO THIS DRAWING.
  2. GENERAL TOLERANCE:  $\pm 0.5$ ,  $\pm 3'$



N-N  
SCALE 1:1



M-M  
SCALE 1:1  
(180DEG. ROTATE)

THIS DRAWING IS A CONTROLLED DOCUMENT.		DWN	TE Connectivity	
DIMENSIONS: MM		CHK		
		APVD		
TOLERANCES UNLESS OTHERWISE SPECIFIED: 0 PLC $\pm 0.5$ 1 PLC $\pm 0.5$ 2 PLC $\pm 0.5$ 3 PLC $\pm 0.5$ 4 PLC $\pm 0.5$ ANGLES $\pm 3'$		NAME		
MATERIAL		PRODUCT SPEC	DDR3 SODIMM SOCKET	
		APPLICATION SPEC	0.6mm PITCH 204POS	
		WEIGHT	8.0mm HEIGHT STANDARD TYPE	
		CUSTOMER DRAWING	SIZE	RESTRICTED TO
			A3	-
			CAGE CODE	
			00779	
			DRAWING NO	
			C-2013297	
			SCALE	
			1:2	
			SHEET	
			5 of 6	
			REV	
			D	

200EA	20EA	*-2013297-*
QTY/BOX	QTY/TRAY	PART NO.
DWN CHK APVD PRODUCT SPEC APPLICATION SPEC WEIGHT		
NAME DDR3 SODIMM SOCKET 0.6mm PITCH 204POS 8.0mm HEIGHT STANDARD TYPE		
SIZE	CAGE CODE	DRAWING NO
A3	00779	C-2013297
CUSTOMER DRAWING		RESTRICTED TO
		-
SCALE	SHEET	REV
1:2	5 of 6	D

4

3

2

1

THIS DRAWING IS UNPUBLISHED.

RELEASED FOR PUBLICATION

SEP , 2007.

© COPYRIGHT 2007 By -

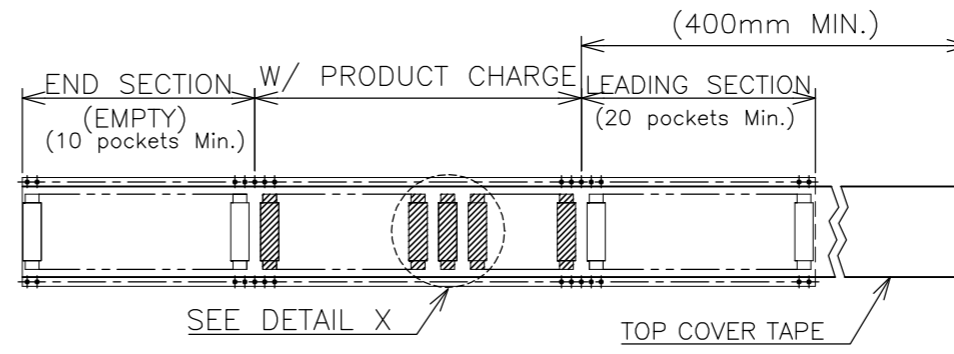
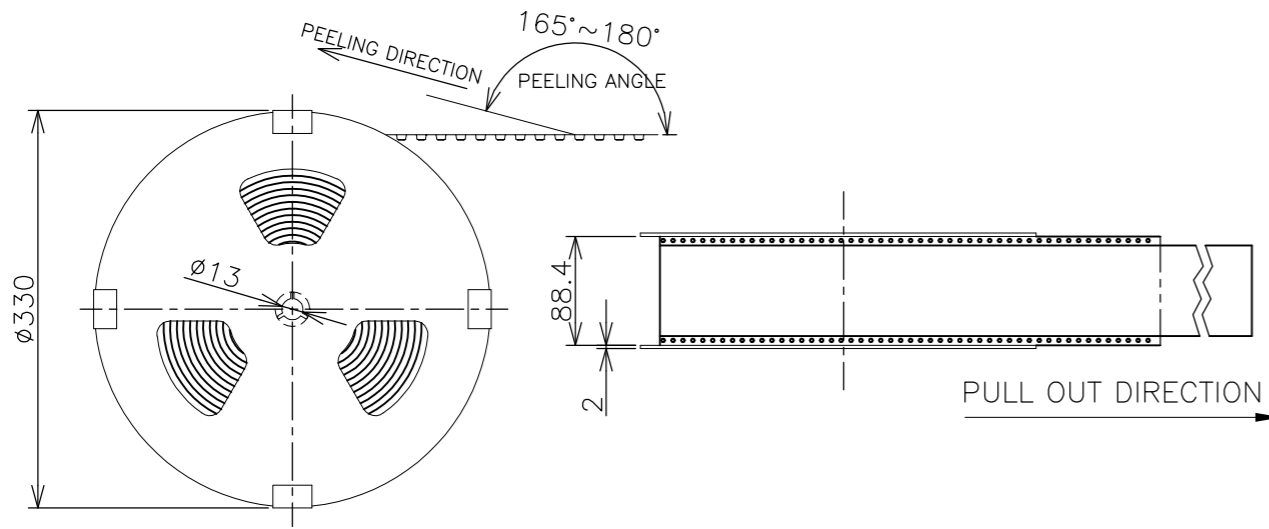
ALL RIGHTS RESERVED.

LOC  
J

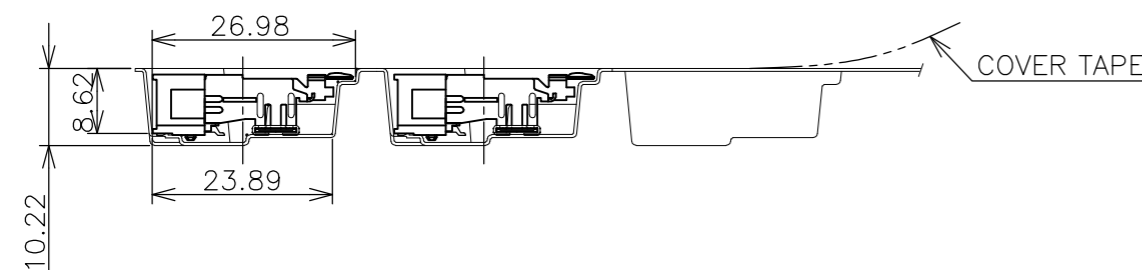
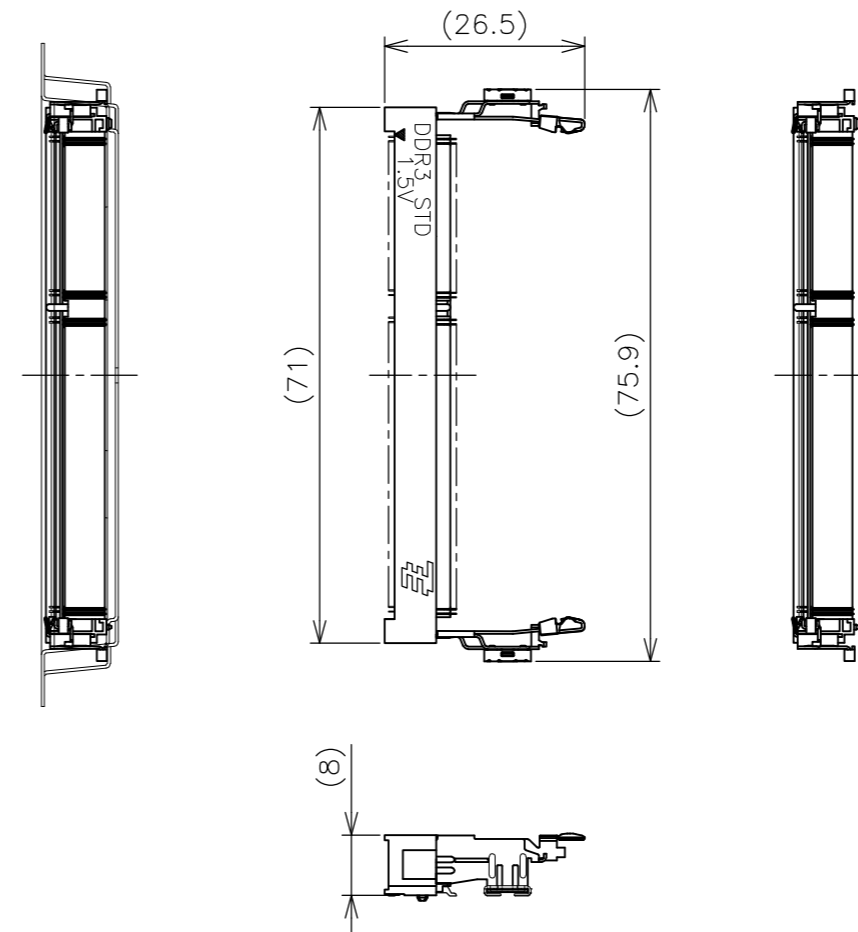
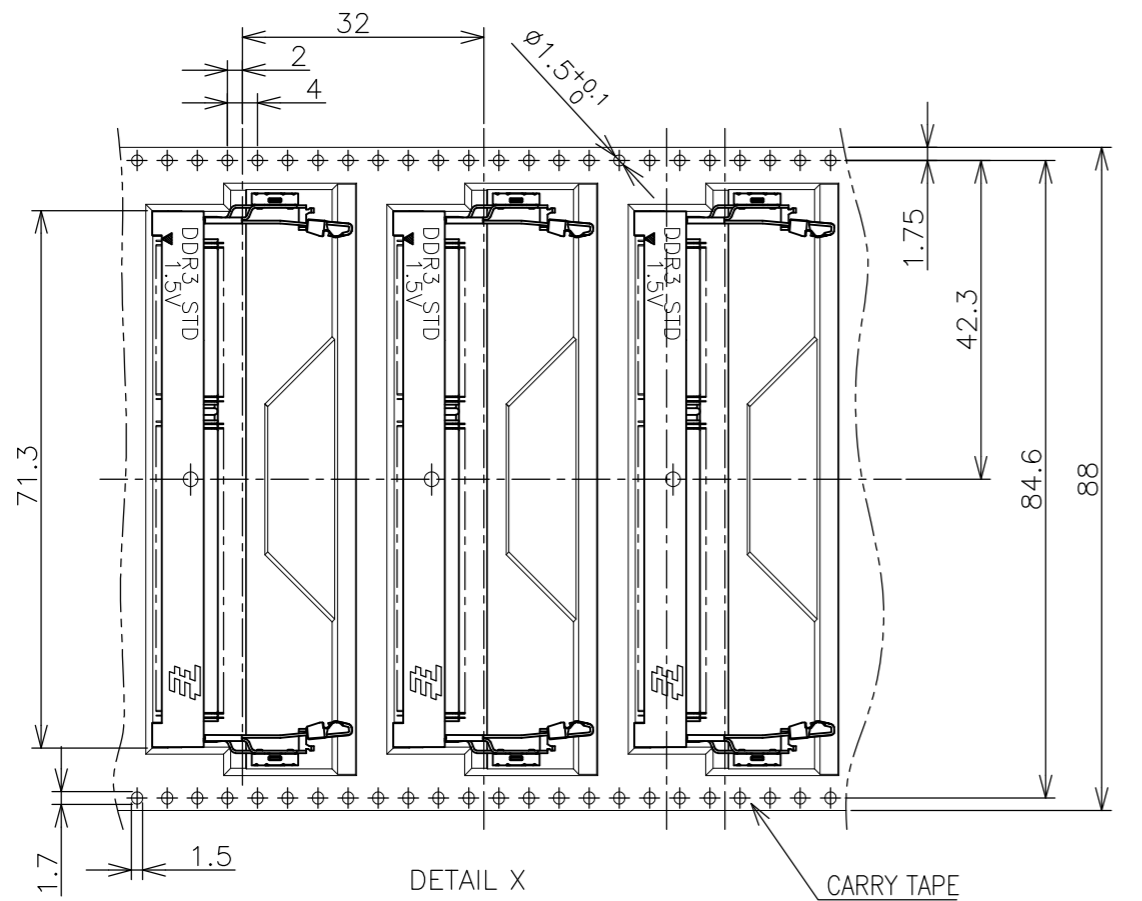
DIST  
/

REVISIONS

P	LTR	DESCRIPTION	DATE	DWN	APVD
-	-	SEE SHEET 1	-	-	-



- (APPLIED TO SHEET 6)
1. THE DIRECTION OF EACH CONNECTOR ON A EMBOSS IS REFERRED TO THIS DRAWING.
  2. GENERAL TOLERANCE:  $\pm 0.5$ ,  $\pm 3'$



THIS DRAWING IS A CONTROLLED DOCUMENT.		DWN	TE Connectivity NAME DDR3 SODIMM SOCKET 0.6mm PITCH 204POS 8.0mm HEIGHT STANDARD TYPE				
DIMENSIONS: MM		CHK					
TOLERANCES UNLESS OTHERWISE SPECIFIED:		APVD					
0 PLC $\pm 0.5$ 1 PLC $\pm 0.5$ 2 PLC $\pm 0.5$ 3 PLC $\pm 0.5$ 4 PLC $\pm 0.5$ ANGLES $\pm 3'$		PRODUCT SPEC					
MATERIAL		FINISH	APPLICATION SPEC	SIZE	CAGE CODE	DRAWING NO	RESTRICTED TO
			WEIGHT	A300779		C-2013297	-
CUSTOMER DRAWING			SCALE	SHEET	REV		
			1:1	6 OF 6	D		

## Looking for pricing, stock, or lifecycle information?

Click below to explore more details on WIN SOURCE:

 [View 2-2013297-1 on WIN SOURCE](#)

 [TE Connectivity](#) Information

## Optimize Your Supply Chain with WIN SOURCE Solutions

-  Global Sourcing Solution
-  Obsolete Management
-  Cost Control Management
-  Shortage Management
-  Alternative Solution
-  Excess Inventory Management