

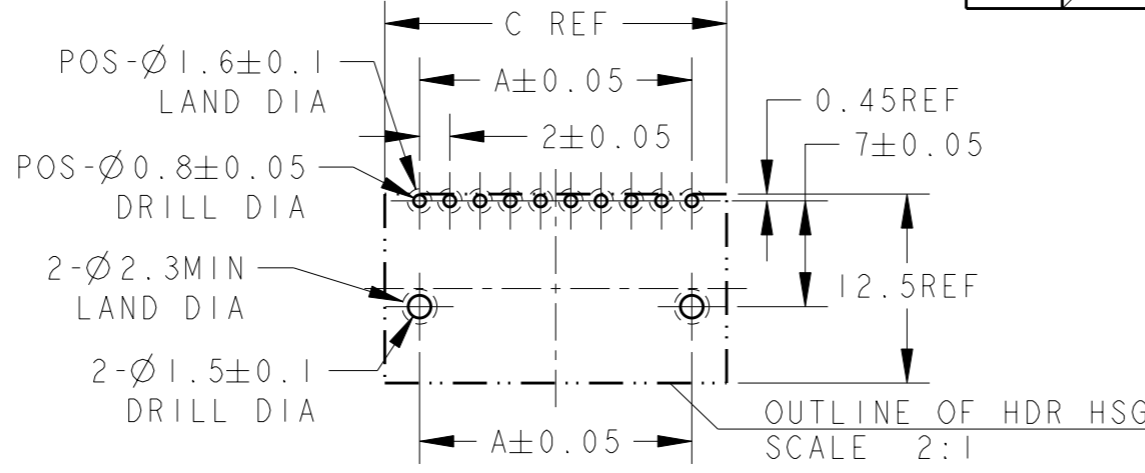
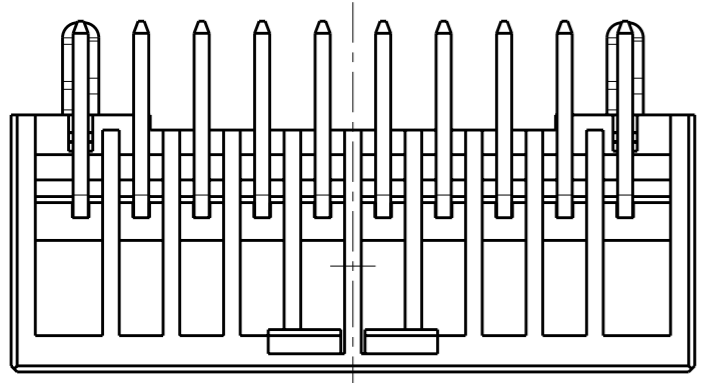


THE DATASHEET OF
1-1939760-4

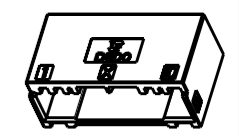


THIS DRAWING IS UNPUBLISHED. RELEASED FOR PUBLICATION 2007
 © COPYRIGHT 2007 BY TYCO ELECTRONICS CORPORATION. ALL INTERNATIONAL RIGHTS RESERVED.

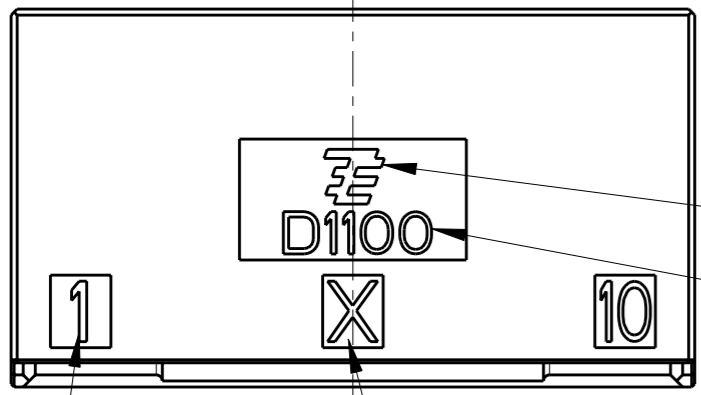
LOC	DIST	REVISIONS					
J		P	LTR	DESCRIPTION	DATE	DWN	APVD
			BI	REVISED PER ECR-10-019595	30SEP10	HMR	T.M



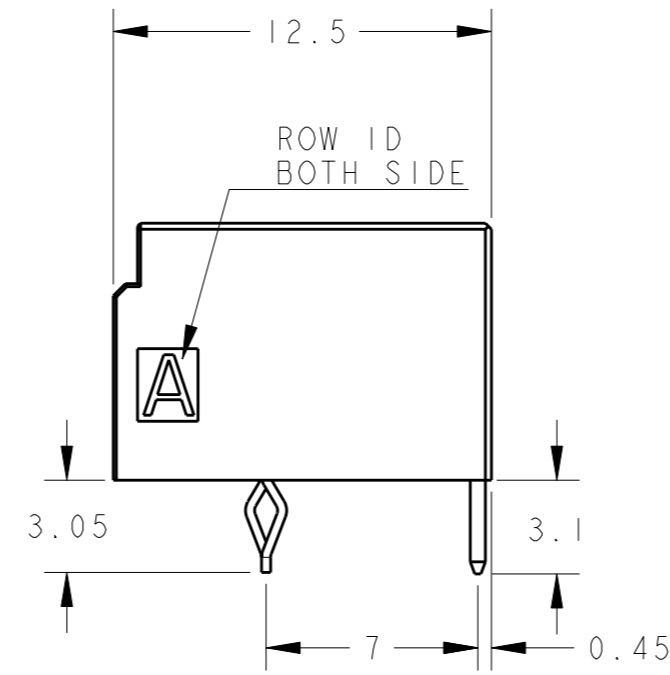
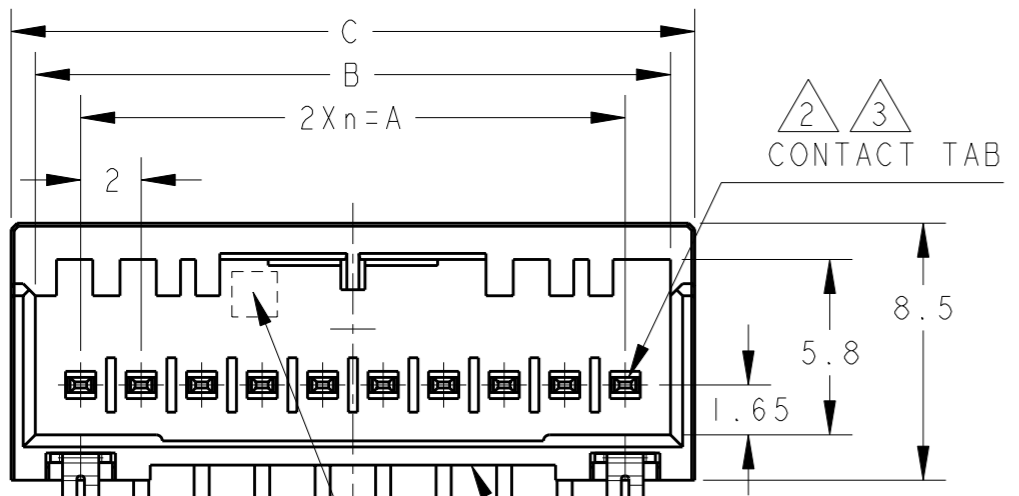
推奨基板取付穴寸法 : コネクタ搭載面 (非累積公差)
 PC基板厚 : $1.0 \sim 1.6 \pm 0.1$
 RECOMMEND PC BOARD HOLE PATTERN : CONNECTOR MOUNT SIDE
 (NOT ACCUMULATE TOLERANCE)
 PC BOARD THICKNESS : $1.0 \sim 1.6 \pm 0.1$



SCALE 1:1



- ①. 材料:ハウジング:ガラス入り熱可塑性ポリエステル樹脂(94V-0)、色:黒
 コンタクト:銅合金
 リテンションレグ:錫めっき済銅合金
- ②. めっき(全面):ニッケル下地めっき $1.27 \mu\text{m}$ 以上
- ③. めっき(接触部):②の上に金めっき $0.38 \mu\text{m}$ 以上
- ④. めっき(コンタクト半田付部):②の上に錫めっき $2 \mu\text{m}$ 以上
- 5. Y KEY形状は、X KEY形状と左右対称
- 6. 文字の形状、大きさ、および位置については、大略を示すものであり、詳細を示すものではありません。



- ①. MATERIAL:HOUSING:GLASS FILED THERMO PLASTIC POLYESTER(94V-0), COLOR:BLACK
 CONTACT:COPPER ALLOY
 RETENTION LEG:PRE-TIN COPPER ALLOY
- ②. FINISH(ALL OVER):NICKEL PLATING $1.27 \mu\text{m}$ MIN
- ③. FINISH(CONTACT AREA):GOLD PLATING $0.38 \mu\text{m}$ MIN AFTER ②
- ④. FINISH(CONTACT TAIL):TIN PLATING $2 \mu\text{m}$ MIN AFTER ②
- 5. THE KEYING ARRANGEMENT OF "Y" IS SYMMETRIC WITH "X".
- 6. THE SHAPE, SIZE AND POSITION OF THE CHARACTER SHOW THE OUTLINE. THEY DON'T SHOW DETAILS.

10	Y	9	18.0	21.0	22.6	2-1939760-0
10	X	9	18.0	21.0	22.6	1-1939760-0
8	Y	7	14.0	17.0	18.6	2-1939760-8
8	X	7	14.0	17.0	18.6	1-1939760-8
4	Y	3	6.0	9.0	10.6	2-1939760-4
4	X	3	6.0	9.0	10.6	1-1939760-4
POS	KEY	n	A	B	C	PART NO

CAVITY MARK (ALPHABET:CAPITAL LETTER)
 10POS(X-KEY):1-1939760-0

THIS DRAWING IS A CONTROLLED DOCUMENT FOR TYCO ELECTRONICS CORPORATION IT IS SUBJECT TO CHANGE AND THE CONTROLLING ENGINEERING ORGANIZATION SHOULD BE CONTACTED FOR THE LATEST REVISION.		DWN 30JUL2007 M. MAEBASHI CHK 30JUL2007 T. KUDO APVD 30JUL2007 D. MITSUGI		Tyco Electronics Corporation Kawasaki, Japan	
DIMENSIONS: 単位: 耗 mm 		TOLERANCES UNLESS OTHERWISE SPECIFIED: 一般公差 $\pm 0.3, \pm 3^\circ$ 0-PLC \pm 1-PLC \pm 2-PLC \pm 3-PLC \pm 4-PLC \pm ANGLES \pm		NAME 名称 DYNAMIC D1100S 2.0mm PITCH HDR ASSY, H-TYPE 2-10POS	
MATERIAL 材料 		FINISH 仕上 		PRODUCT SPEC 108-78268 APPLICATION SPEC 114-5377 WEIGHT CUSTOMER DRAWING	
SIZE A3 CAGE CODE 00779 DRAWING NO. C-1939760			RESTRICTED TO SCALE 尺度 4:1 SHEET 1 OF 2 REV BI		

4

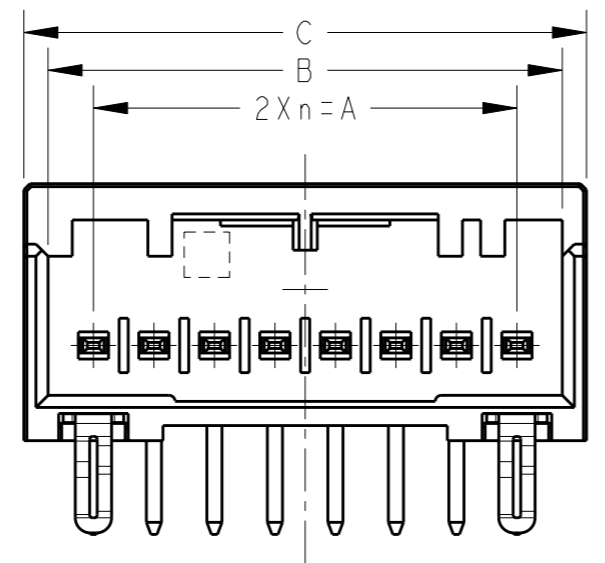
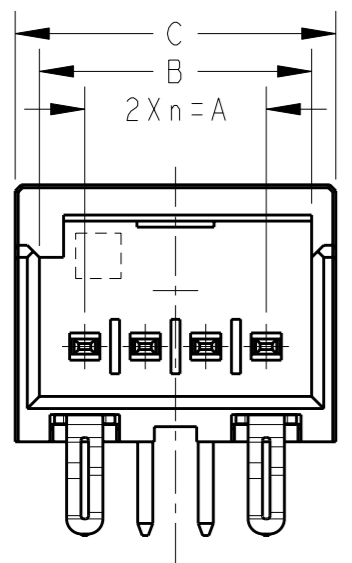
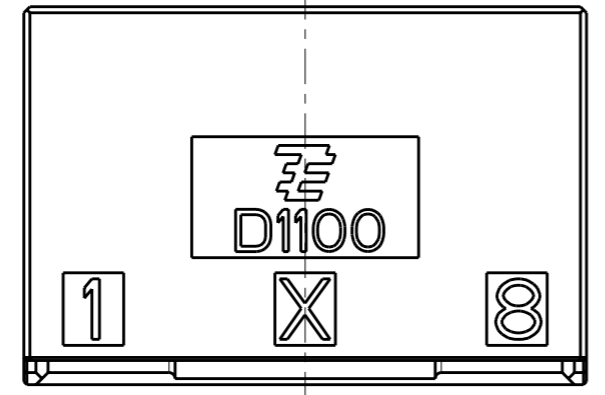
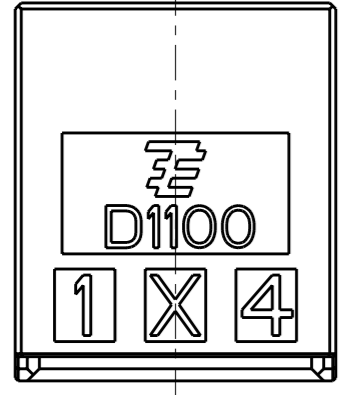
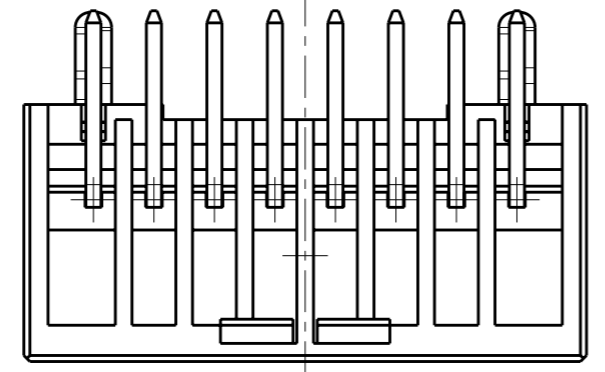
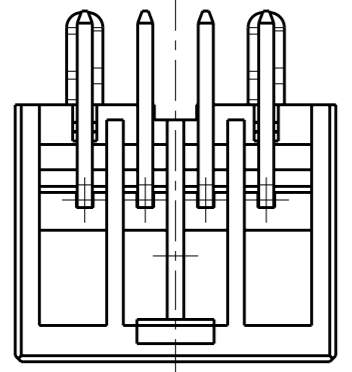
3

2

1

THIS DRAWING IS UNPUBLISHED. RELEASED FOR PUBLICATION 2007
 © COPYRIGHT 2007 BY TYCO ELECTRONICS CORPORATION. ALL INTERNATIONAL RIGHTS RESERVED.

LOC	DIST	REVISIONS 変更					
J		P	LTR	DESCRIPTION	DATE	DWN	APVD
				SEE SHEET 1 OF 2			



4POS(X-KEY): I-1939760-4

8POS(X-KEY): I-1939760-8

THIS DRAWING IS A CONTROLLED DOCUMENT FOR TYCO ELECTRONICS CORPORATION IT IS SUBJECT TO CHANGE AND THE CONTROLLING ENGINEERING ORGANIZATION SHOULD BE CONTACTED FOR THE LATEST REVISION.		DWN M. MAEBASHI 30JUL2007	Tyco Electronics Corporation Kawasaki, Japan	
DIMENSIONS: 単位: 耗 mm		CHK T. KUDO 30JUL2007		
TOLERANCES UNLESS OTHERWISE SPECIFIED: 一般公差 0 PLC ± 1 PLC ± 2 PLC ± 3 PLC ± 4 PLC ± ANGLES ±		APVD D. MITSUGI 30JUL2007	NAME 名称 DYNAMIC D1100S 2.0mmPITCH HDR ASSY, H-TYPE 2-10POS	
MATERIAL 材料		PRODUCT SPEC 製品規格 108-78268	SIZE A3	CAGE CODE 00779
FINISH 仕上		APPLICATION SPEC 取付適用規格 114-5377	DRAWING NO 番号 C-1939760	RESTRICTED TO
		WEIGHT	SCALE 尺度 4:1	
		CUSTOMER DRAWING	SHEET 2 OF 2 REV B1	

Looking for pricing, stock, or lifecycle information?

Click below to explore more details on WIN SOURCE:

 [View 1-1939760-4 on WIN SOURCE](#)

 [TE Connectivity](#) Information

Optimize Your Supply Chain with WIN SOURCE Solutions

-  Global Sourcing Solution
-  Obsolete Management
-  Cost Control Management
-  Shortage Management
-  Alternative Solution
-  Excess Inventory Management