

WIN**SOURCE**
ELECTRONICS

THE DATASHEET OF
1775485-1



1775485-1 ✓ ACTIVE

TE Internal #: 1775485-1

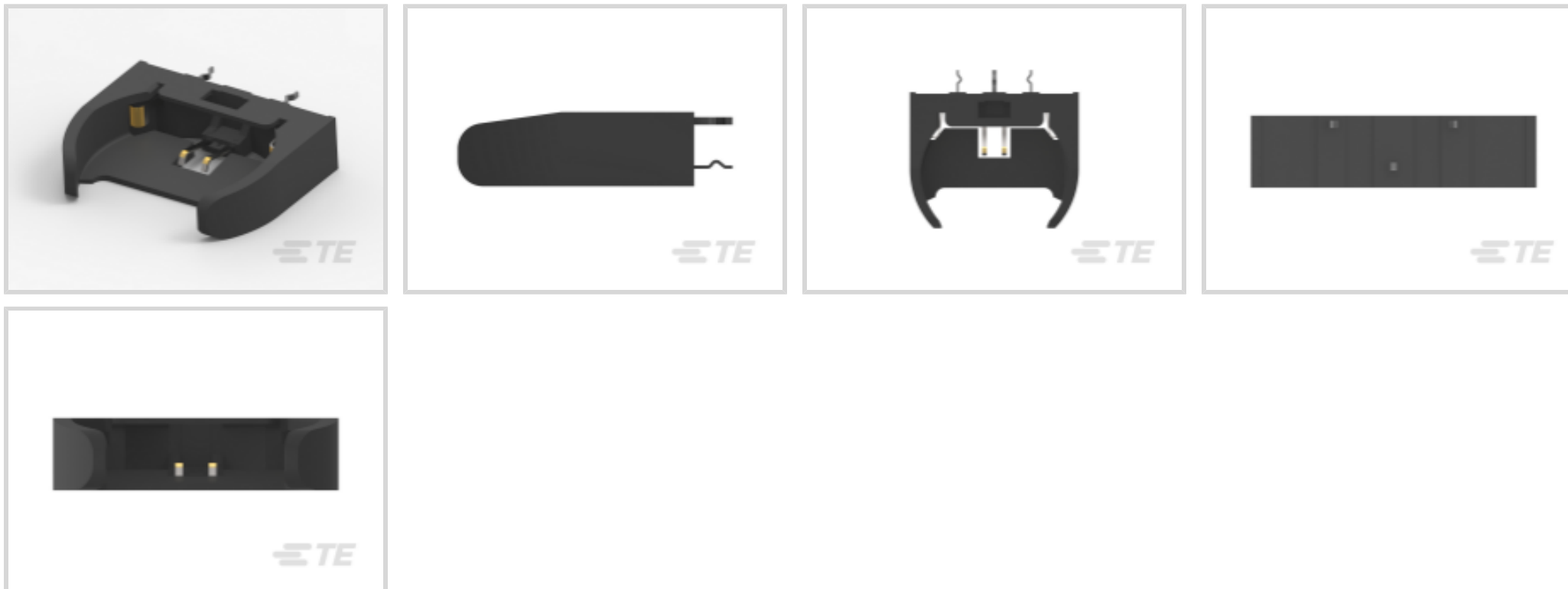
CR2032, 2 Position, Vertical, Gold, Signal, -55 – 105 °C [-67 – 221 °

F], Battery Holders

[View on TE.com >](#)



Connectors > PCB Connectors > Battery Connectors & Holders > Battery Holders



Battery Compatibility: **CR2032**

Number of Positions: **2**

PCB Mount Orientation: **Vertical**

Contact Mating Area Plating Material: **Gold**

PCB Mount Alignment: **Without**

Features

Product Type Features

| | |
|-----------------------------------|-----------------------|
| Connector System | Board-to-Board |
| Connector & Contact Terminates To | Printed Circuit Board |

Configuration Features

| | |
|-----------------------|----------|
| Number of Positions | 2 |
| PCB Mount Orientation | Vertical |

Body Features

| | |
|-------------------------|-----------------------|
| Battery Holder Material | Glass Filled Nylon 66 |
| Battery Holder Type | Coin Cell |
| Primary Product Color | Black |
| Battery Compatibility | CR2032 |

Contact Features

| | |
|--------------------------------------|--------|
| Contact Underplating Material | Nickel |
| Contact Mating Area Plating Material | Gold |
| Contact Current Rating (Max) | 7 A |

Mechanical Attachment



| | |
|-------------------------|-------------|
| Connector Mounting Type | Board Mount |
|-------------------------|-------------|

| | |
|---------------------|---------|
| PCB Mount Alignment | Without |
|---------------------|---------|

Dimensions

| | |
|-------------------------------|--|
| Compatible Battery Dimensions | 23 x 18.49 x 21 mm [.906 x .728 x .827 in] |
|-------------------------------|--|

Usage Conditions

| | |
|-----------------------------|-----------------------------|
| Operating Temperature Range | -55 – 105 °C [-67 – 221 °F] |
|-----------------------------|-----------------------------|

Operation/Application

| | |
|---------------------|--------|
| Circuit Application | Signal |
|---------------------|--------|

Packaging Features

| | |
|--------------------|----|
| Packaging Quantity | 80 |
|--------------------|----|

| | |
|------------------|------------|
| Packaging Method | Box & Tray |
|------------------|------------|

Product Compliance

[For compliance documentation, visit the product page on TE.com>](#)

| | |
|------------------------------|-----------|
| EU RoHS Directive 2011/65/EU | Compliant |
|------------------------------|-----------|

| | |
|-----------------------------|-----------|
| EU ELV Directive 2000/53/EC | Compliant |
|-----------------------------|-----------|

| | |
|---|---|
| China RoHS 2 Directive MIIT Order No 32, 2016 | No Restricted Materials Above Threshold |
|---|---|

| | |
|--|--|
| EU REACH Regulation (EC) No. 1907/2006 | Current ECHA Candidate List: JUNE 2024 (241) Candidate List Declared Against: JAN 2024 (240) Does not contain REACH SVHC |
|--|--|


| | |
|-----------------|--|
| Halogen Content | Not Low Halogen - contains Br or Cl > 900 ppm. |
|-----------------|--|

| | |
|---------------------------|------------------------------|
| Solder Process Capability | Wave solder capable to 265°C |
|---------------------------|------------------------------|

Product Compliance Disclaimer

This information is provided based on reasonable inquiry of our suppliers and represents our current actual knowledge based on the information they provided. This information is subject to change. The part numbers that TE has identified as EU RoHS compliant have a maximum concentration of 0.1% by weight in homogenous materials for lead, hexavalent chromium, mercury, PBB, PBDE, DBP, BBP, DEHP, DIBP, and 0.01% for cadmium, or qualify for an exemption to these limits as defined in the Annexes of Directive 2011/65/EU (RoHS2). Finished electrical and electronic equipment products will be CE marked as required by Directive 2011/65/EU. Components may not be CE marked. Additionally, the part numbers that TE has identified as EU ELV compliant have a maximum concentration of 0.1% by weight in homogenous materials for lead, hexavalent chromium, and mercury, and 0.01% for cadmium, or qualify for an exemption to these limits as defined in the Annexes of Directive 2000/53/EC (ELV). Regarding the REACH Regulation, the information TE provides on SVHC in articles for this part number is based on the latest European Chemicals Agency (ECHA) 'Guidance on requirements for substances in articles' posted at this URL: <https://echa.europa.eu/guidance-documents/guidance-on-reach>

Compatible Parts



TE Part # 2-1775485-1
Battery Holder, 3.6mm, BLK, low profile



TE Part # 1775485-3
BATTERY HOLDER, 3.6MM, HIGH STANDOFF



TE Part # 6339488-1
VERTICAL BATTERY CONNECTOR ASSY



TE Part # 1-1775485-1
Battery Holder, 3.2mm, BLK, low profile



TE Part # 1775485-4
Battery Holder, 3.6mm, BLK, low profile



TE Part # 2-1775485-2
Battery Holder, 3.6mm, BLU, low profile

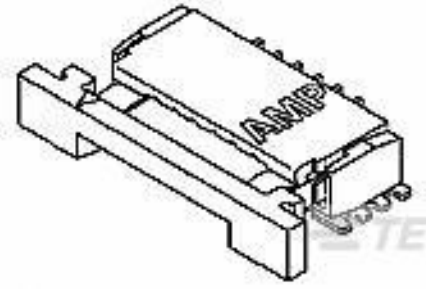
Customers Also Bought



TE Part #5084618-2
0.8FH,R13H.5,060,30/Sn,TR,SC



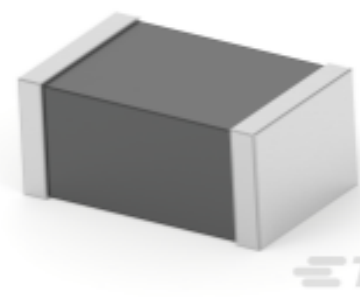
TE Part #5-146252-7
14 MODII HDR DRST B/A .100 LF



TE Part #2-84952-5
1MM FPC HORZ.BOTTOM CONT. ASSY 25P




TE Part #5-2337939-8
PCIE GEN4 CON,SMT,164POS,30u", MYLAR,HT




TE Part #2176487-2
BMC 0805 60R 25% A Med C



TE Part #1-2176611-3
EP 2W (SS) 3R3 5%



TE Part #2383435-1
HD CE VERTICAL PF :2X3HP-2X2LP-2X12S



TE Part #2-2199155-1
DDR4 DIMM 288 Pin SMT type



TE Part #838067-E
IDCCS SMC 1,27 50 * AD NC 50 PVC



Documents

Product Drawings

[Battery Holder, 3.6mm, BLK,low profile](#)

English

CAD Files

[3D PDF](#)

3D

Customer View Model

[ENG_CVM_CVM_1775485-1_A.2d_dxf.zip](#)

English

Customer View Model

[ENG_CVM_CVM_1775485-1_A.3d_igs.zip](#)

English

Customer View Model

[ENG_CVM_CVM_1775485-1_A.3d_stp.zip](#)

English

By downloading the CAD file I accept and agree to the [Terms and Conditions](#) of use.

Datasheets & Catalog Pages

[POWER_CONNECTORS_CATALOG_SEC09_LAPTOPS_PORTABLES](#)

English

[2_PIECE_POWER_CONNECTORS_qrg_4-1773458-1](#)

English

Product Specifications

[Application Specification](#)

English

Looking for pricing, stock, or lifecycle information?

Click below to explore more details on WIN SOURCE:

[View 1775485-1 on WIN SOURCE](#)

[TE Connectivity Information](#)

Optimize Your Supply Chain with WIN SOURCE Solutions

- ✓ Global Sourcing Solution
- ✓ Obsolete Management
- ✓ Cost Control Management
- ✓ Shortage Management
- ✓ Alternative Solution
- ✓ Excess Inventory Management